

# Motorized FlexStyle™ 485 AC

Motor operated open roll shade with low-profile decorative brackets

## SUBMITTAL TECHNICAL INFO

### FLEXSTYLE MO

Please check all appropriate selections and attach room schedule with verified dimensions.

Fabric Series: \_\_\_\_\_

Color Name / Number: \_\_\_\_\_

Openness Factor: \_\_\_\_\_

Please see [Draper® Fabric Options](#) for fabric colors and specifications.

#### Select Motor and Idler Bracket Finish

##### Plated Bracket Colors

- Brushed Nickel
- Brushed Gold
- Antique Bronze
- Chrome

##### Matte Painted Bracket Colors

- Black
- White
- Grey
- Taupe
- Warm White
- Grey Primer  
*(to be painted by others)*

**Please Note:** If Painted Bracket and Exposed Hem Bar are selected, Hem Bar finish is automatically matched to bracket color.

#### Select Hem Bar/Slat Style

- Open Pocket (1" Elliptical)
- Closed Pocket (1" Elliptical)
- Exposed Hem Bar
  - Small Flat Exposed Hem Bar
  - Large Flat Exposed Hem Bar
  - Round Exposed Hem Bar

#### Select Exposed Hem Bar color

*(For Plated Hardware ONLY)*

##### SMOOTH COLORS:

- Matt Black
- Matt White
- Matt Grey
- Matt Taupe
- Matt Warm White
- Grey Primer *(to be painted by others)*
- Clear Anodized *(not painted)*

##### TEXTURED COLORS:

- Black
- White
- Ivory
- Bronze

#### Select Motor and Controls

##### Select Motor Location *(front view)*

- Right *(standard)*
- Left

##### Select 120V AC Intelligent Technology Motor (ILT)

- 120V RS485 Quiet Sonesse Motor *(standard)*
- 120V RS485 ULTRA Quiet Sonesse Motor

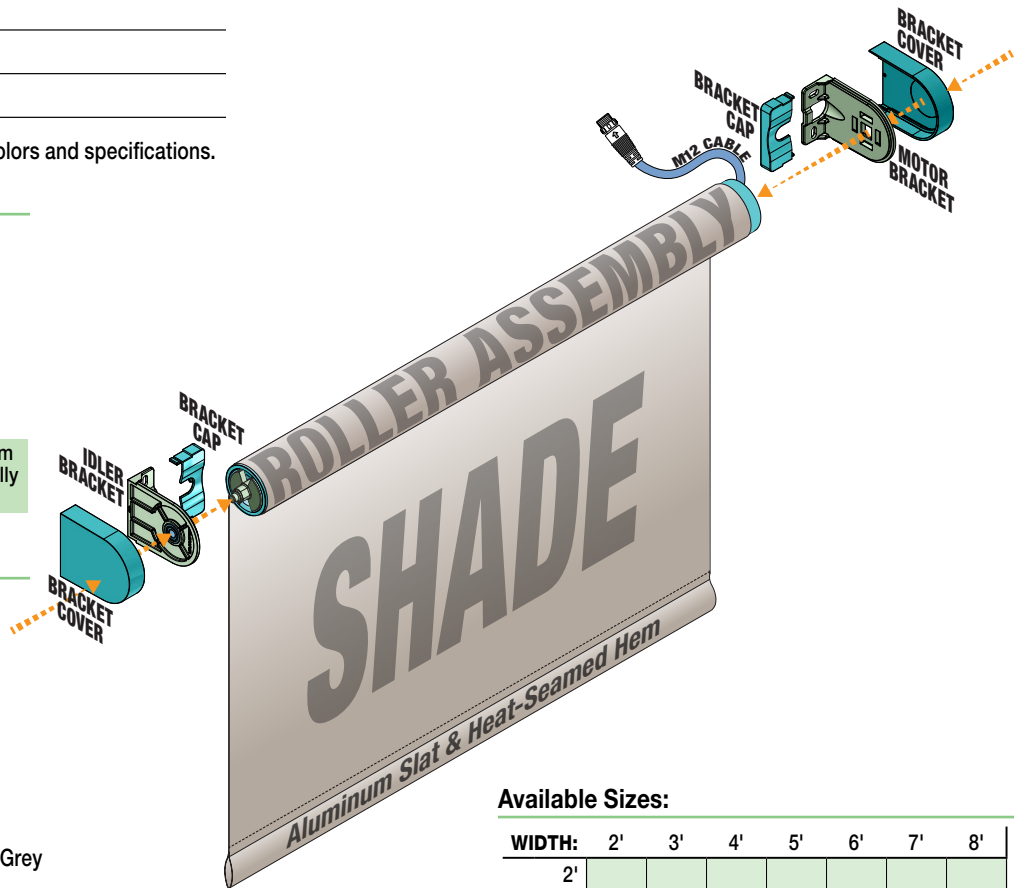
*Sonessa® is a registered trademark of Somfy® Systems, Inc.*

#### Select Control Options:

- 6 Button Digital Keypad
- 8 Button Digital Keypad

##### Please Note:

For more information about operators and controls, see installation instructions.



#### Available Sizes:

WIDTH:	2'	3'	4'	5'	6'	7'	8'
HEIGHT							
2'							
3'							
4'							
5'							
6'							
7'							
8'							
9'							
10'							

\* Sizes requiring large endcaps/brackets will vary according to fabric.

PROJECT: \_\_\_\_\_

ARCHITECT: \_\_\_\_\_

CONTRACTOR: \_\_\_\_\_

SUPPLIER: \_\_\_\_\_

DATE: \_\_\_\_\_ REVISED: \_\_\_\_\_



Draper, Inc. | 411 S. Pearl St. Spiceland, IN 47385  
draperinc.com | 765.987.7999 | 800.238.7999

© 2023 All Rights Reserved | FORM: 120V\_485\_FlexStyle\_Sub23

## Specifications

**FLEXSTYLE MOTORIZED SHADING SYSTEM:** Electrically operated, motorized, vertical roll-up, fabric shading system. Assembly includes motor operator, controls, mounting hardware, and other components necessary for complete installation. Motorized FlexStyle™ as manufactured by Draper®, Inc.

**ELECTRIC OPERATOR:** Tubular motor concealed inside shade roller tube.  
**LOCATION:** Right hand: standard; Left hand: as scheduled.

**485 SONESSE® 120V INTELLIGENT TECHNOLOGY ELECTRIC OPERATOR:** Drive unit inside roller, 3-wire, instantly reversible, lifetime lubricated. Right hand motor location standard. Left hand available. Built-in encoder and low-voltage controller with data cable. Limit switches adjustable using wall switch or remote control. Thermal overload protector and electric brake. Operates on 110-120V AC 1 PH 60 HZ current. Draws 1.1 Amps.

**FABRIC CONNECTION TO ROLLER TUBE:** Fabric panel is attached with double-sided adhesive (LSE) to the roller tube at the top, and to the hem bar at the bottom.

### MOUNTING BRACKETS

**BRACKETS:** Made of .080 die cast aluminum. Can be wall or ceiling mounted. No exposed fasteners.

**FINISHES AVAILABLE:**  
 Black, Bronze Plated, Brushed Gold Plated, Brushed Nickel Plated, Chrome Plated, Grey, Taupe, White, Warm White, Grey Primer.

**ROLLER:** Fabricated from extruded aluminum or steel. Wall thickness and material selected by manufacturer to accommodate shade size. Provide with roller spring loaded sliding idler assembly of molded nylon. Spring Loaded nylon pin set into ball bearing of idler bracket to allow easy installation and removal of roller. Fabric connected to the roller tube with LSE (low surface energy) double sided adhesive specifically developed to attach coated textiles to metal. Adhesive attachment to eliminate horizontal impressions in fabric.

### HEM BAR:

**CLOSED POCKET ELLIPTICAL SLAT:** 1 inch (25mm) aluminum elliptical slat inside of a 1 1/8 inch (41mm) pocket with heat sealed ends.

**OPEN POCKET ELLIPTICAL SLAT:** 1 inch (25mm) aluminum elliptical slat with plastic ends inside of a 1 1/8 inch (41mm) pocket.

**FLAT EXPOSED HEM BAR:** Small: 3/8 inch x 3/8 inch (22mm x 8mm) aluminum rectangular hem bar with plastic end caps.

**LARGE EXPOSED HEM BAR:** 1 1/2 inch x 3/8 inch (38mm x 8mm) aluminum rectangular hem bar with plastic end caps.

**ROUND EXPOSED HEM BAR:** Small 3/8 inch (16mm) and Large 3/4 inch (21mm) aluminum with plastic end caps.

**NO SLAT.**

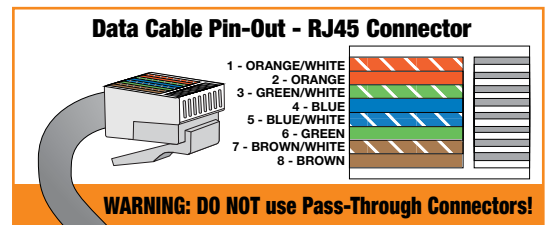
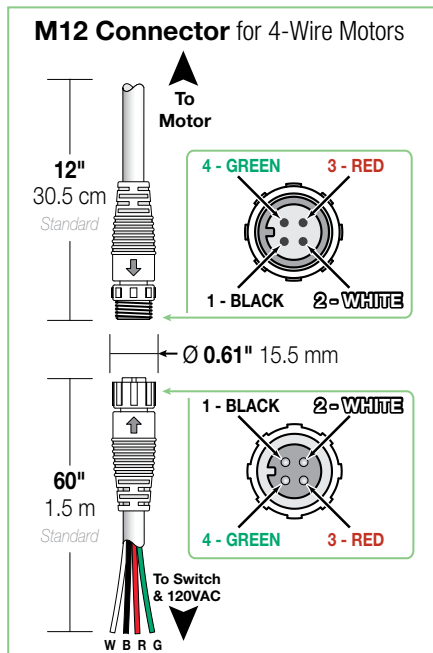
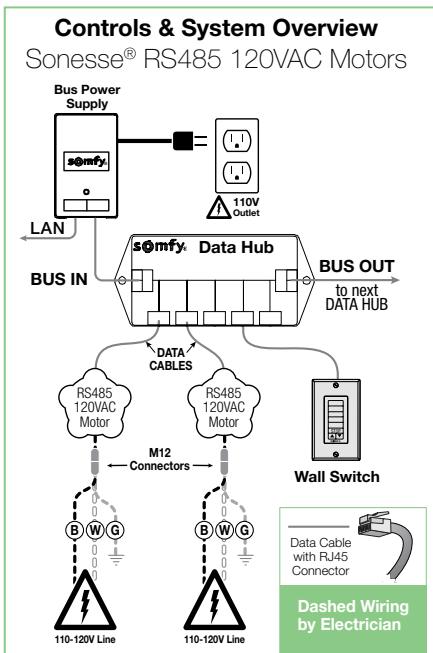
### DOWNLOADABLE 3-PART SPECIFICATIONS:

[www.draperinc.com](http://www.draperinc.com)

**Please note:**

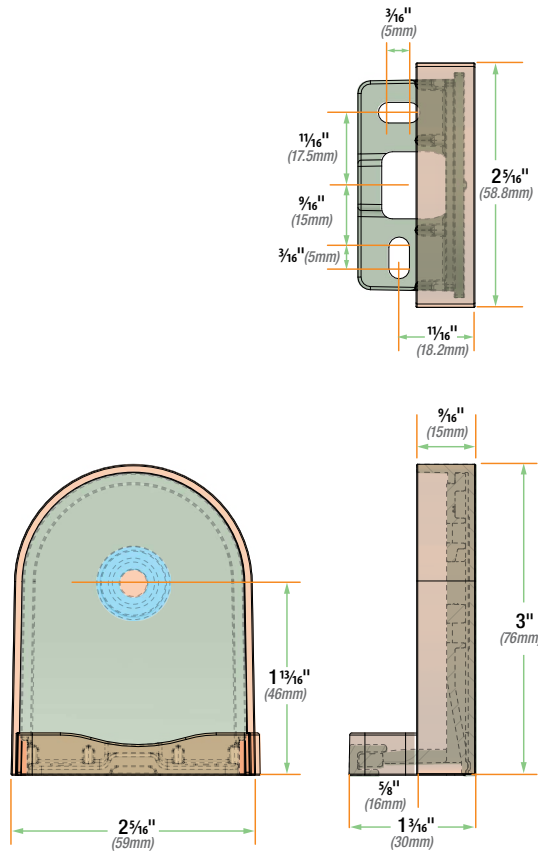
Dimensions of rollers, operators, and hardware at manufacturer's discretion.

## Wiring Diagrams

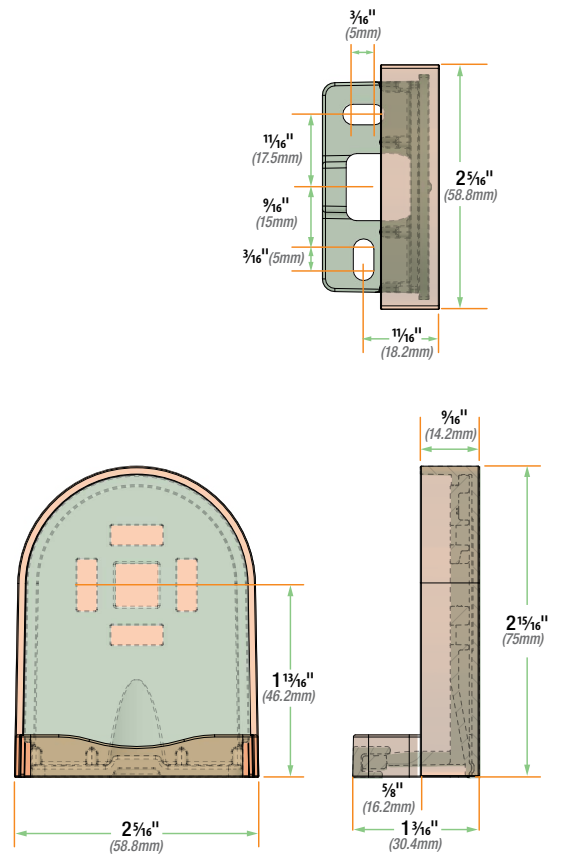


## Bracket Dimensions

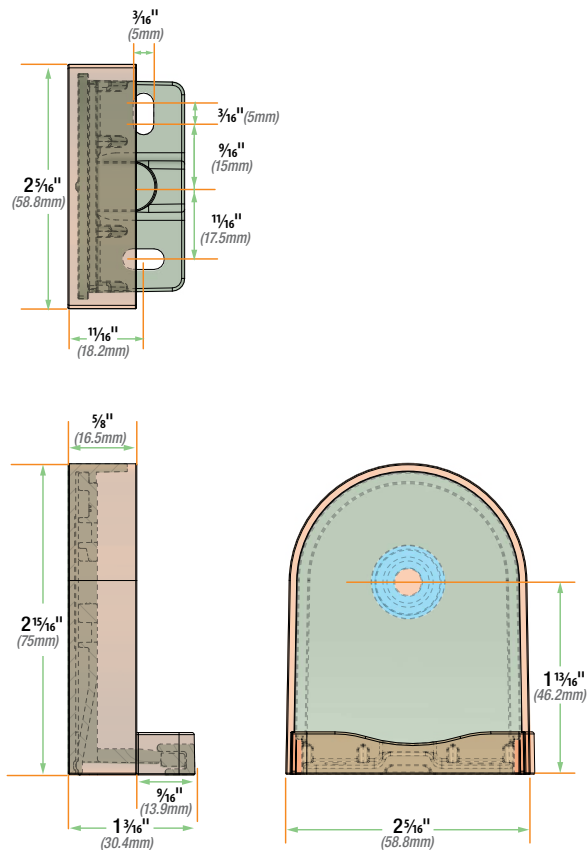
C002.1821 (Idler End, Standard)



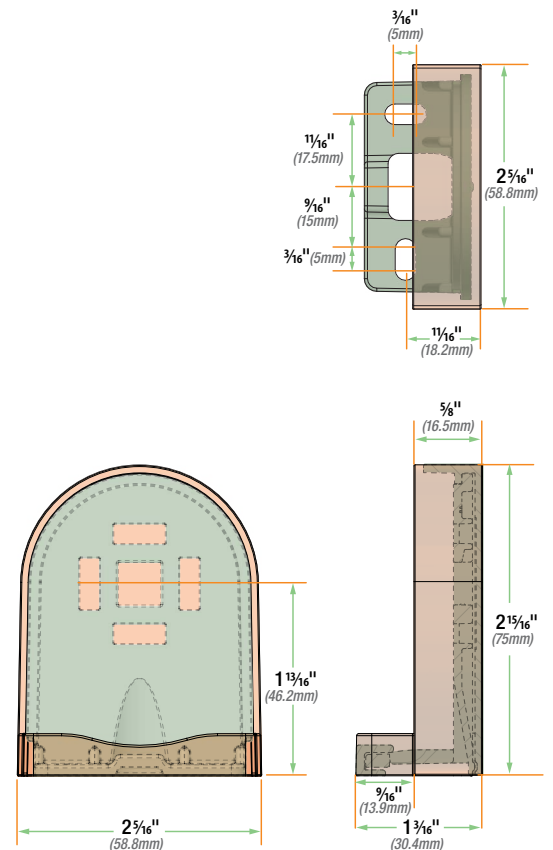
C002.1819 (Motor End, Standard)



C002.1822 (Idler End, Extended)



C002.1820 (Motor End, Extended)



## Shade Dimensions

