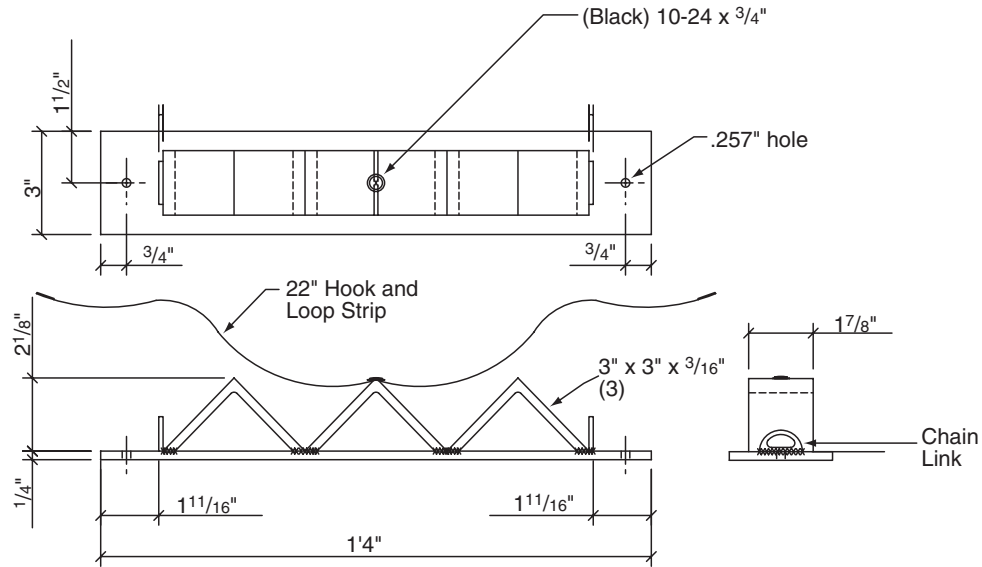


501015

Vertical Volleyball Storage Bracket

by **DRAPER**



Specifications—501015

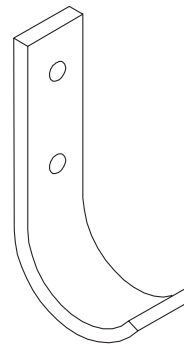
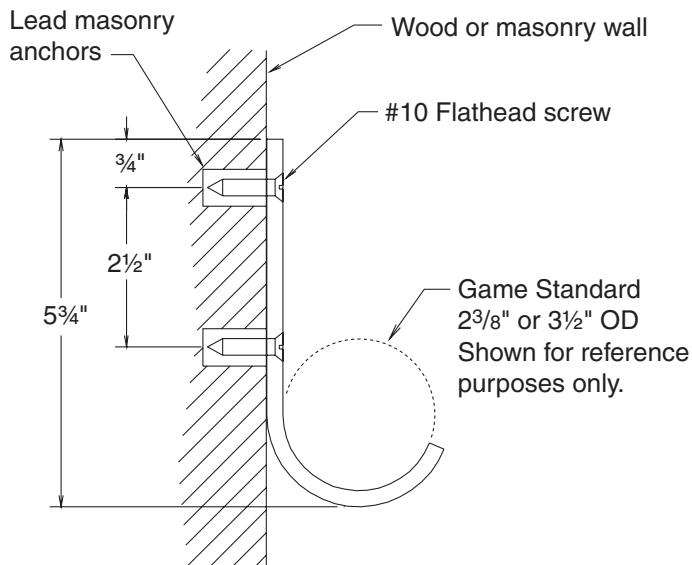
Vertical Volleyball Storage Bracket

For storage of volleyball posts in vertical position specify Draper Model No. 501015 Vertical Storage Brackets.

Model No. 501015 Vertical Storage Brackets are constructed with from 1/4" thick flat steel and 3/16" thick angle. Posts are secured with nylon straps with hook and loop fastener. Brackets are sold in pairs. Each pair of brackets is designed to store two posts. Weldment is finished in attractive gloss black powder coat. Brackets are secured to wall with 1/4" x 2 1/2" screws.

501017

Wall Storage Hooks for 500001 and other Volleyball standards



PROJECT: _____

ARCHITECT: _____

CONTRACTOR: _____

SUPPLIER: _____

DATE: _____ REVISED: _____

DRAPER

411 S. Pearl St., Spiceland, IN 47385 USA ■ 765-987-7999 ■ fax 765-987-7142

www.draperinc.com

Copyright © 2004 Draper Inc.

Form VB-501015-501017-Storage_Sub04

Printed in U.S.A.