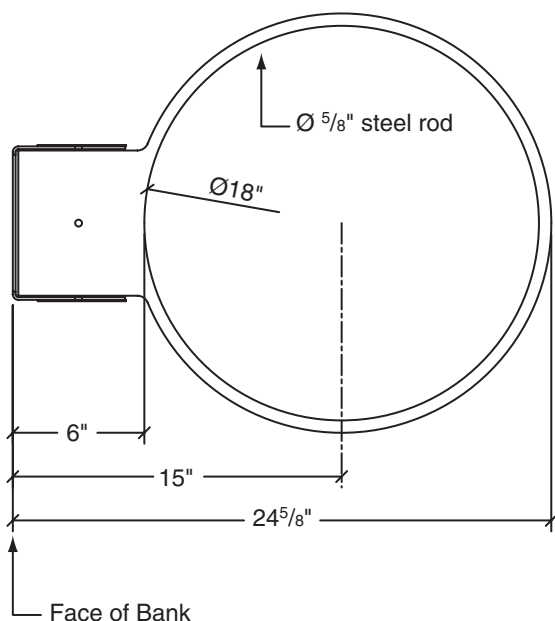


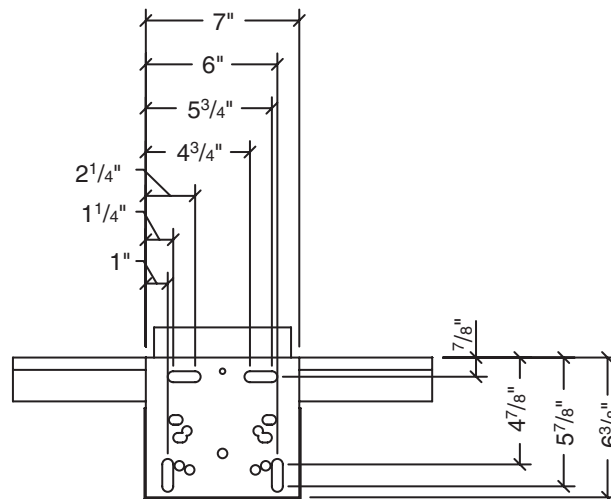
EZ Fold[®] 503079

Outdoor Breakaway Basketball Goal with Nylon Net

by DRAPER

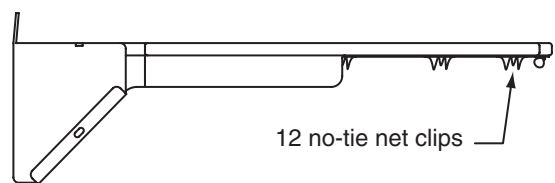


TOP VIEW

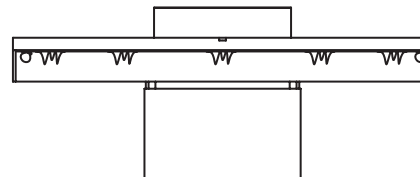


* All slots dia. 1/2" *

REAR VIEW
(Goal Mounting Plate)



SIDE VIEW



FRONT VIEW

Specifications—EZ Fold 503079 Outdoor Breakaway Basketball Goal with Nylon Net

Product Description

Breakaway goal is designed to withstand shock loads due to a player slam-dunking and/or hanging on the rim. Breakaway action shall be provided by a compression spring. A steel cover plate shall enclose breakaway mechanism. The rim will return to playing position once the load has been removed.

The ring shall be an official size 5/8" diameter high strength steel supported by a 3/16" x 1" support that is welded around 180° of the bottom of the ring. Inside the ring shall be positioned 6" from the face of the backboard by a 3/16" mounting plate with holes to attach to virtually any front mount backboard. Goal shall have one-piece continuous wire net attachment system. Goal shall be supplied with zinc plated mounting hardware and a heavy-duty nylon net. Goal shall have an orange powder coat finish.

Goal shall weigh approximately 27 lbs. and is covered by a one-year warranty.

DRAPER

411 S. Pearl St., Spiceland, IN 47385 USA ■ 765-987-7999 ■ fax 765-987-7142

www.draperinc.com

Copyright © 2004 Draper Inc.

Form EZ-503079_Sub04

Printed in U.S.A.

PROJECT: _____

ARCHITECT: _____

CONTRACTOR: _____

SUPPLIER: _____

DATE: _____ REVISED: _____