

# EZ Fold 503286

Manual Winch for use with  
EZ Fold Basketball Backstops

by **DRAPER**

## Manual Winch 503286

### Product Description

Manual Basketball Winch shall be Model 503286 Manual Winch by Draper, Inc. Spiceland, IN.

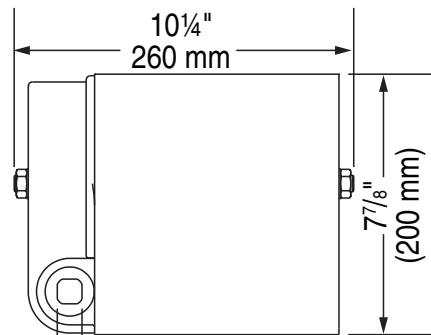
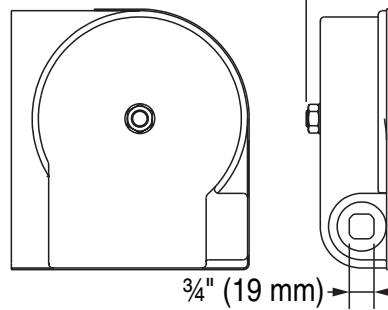
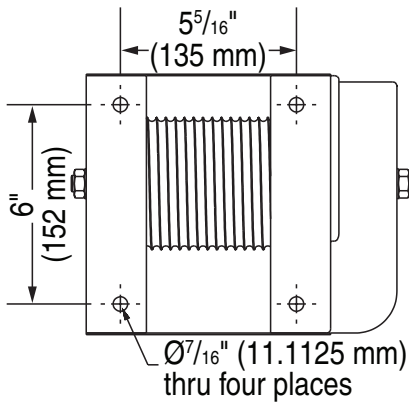
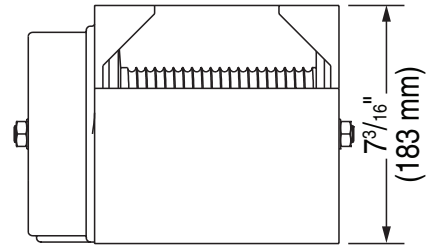
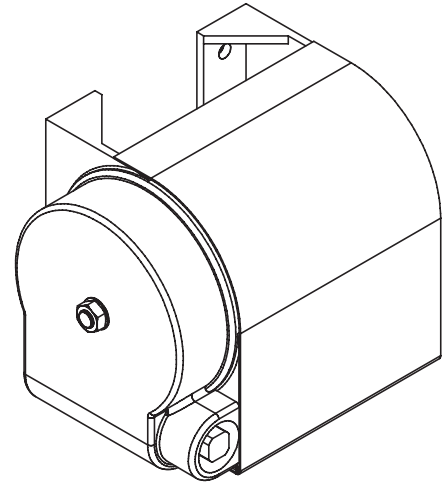
The 503286 Manual Winch is designed with a maintenance-free sealed gear case with a 40:1 worm gear ratio to provide 1,000 lbs (454 kg) vertical lifting capacity. Winch has a 4" grooved drum with oversized flanges to insure long cable life and proper tracking. Winch has machined steel gears, cast aluminum housing and precision thrust bearings for smooth operation even under rated load. Winch has a secure 3/4" square drive and each winch is provided with a removable handle to prevent unauthorized use. Light weight design only weighs 19 lbs. Winch has a five-year warranty. Cable, clamps, pulleys and other accessories sold separately.

Warning: Winch shall be located so that backstops are in full view of operator, but in a position where operator is clear from potential injury if the backstop were to fall. Not to be used for lifting people or to lift anything over people without a safety lock or automatic fall arrest system in place.

### Please Mark Appropriate Selections

#### Select Optional Items

- 503249-Portable Electric Winch Operator



**DRAPER**®

411 S. Pearl St., Spiceland, IN 47385 USA ■ 765-987-7999  
www.draperinc.com ■ fax 765-987-7142

Copyright © 2013 Draper Inc. Form EZ-503286-ManualWinch\_Sub13 Printed in U.S.A.

PROJECT: \_\_\_\_\_

ARCHITECT: \_\_\_\_\_

CONTRACTOR: \_\_\_\_\_

SUPPLIER: \_\_\_\_\_

DATE: \_\_\_\_\_ REVISED: \_\_\_\_\_