

504321 - Curtain Lok Safety Device

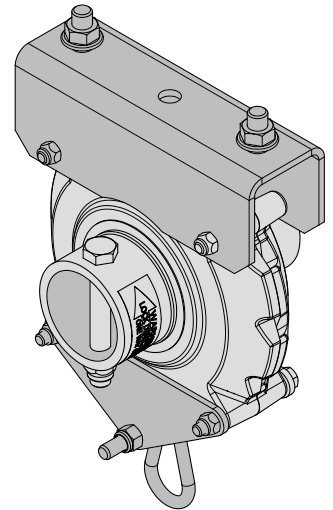
Specifications - 504321 Curtain Lok Safety Device

CURTAIN LOK DRIVE SHAFT STYLE DIVIDER CURTAIN SAFETY DEVICE

PRODUCT DESCRIPTION: Drive Shaft Style Curtain Safety Device to be the Draper Model 504321 Curtain Lok by Draper, Inc., Spiceland, IN.

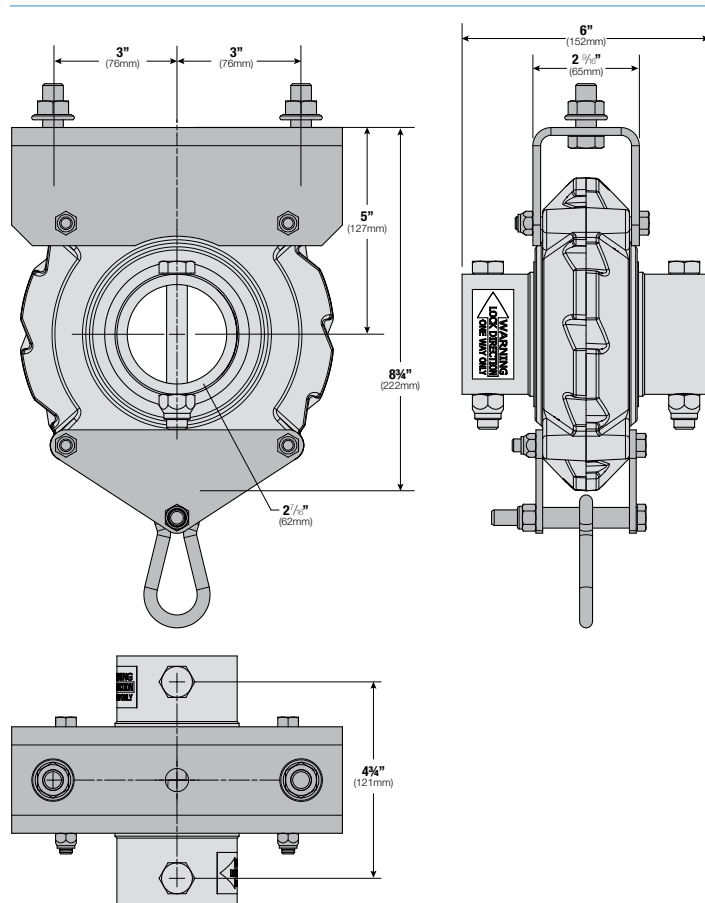
Curtain Lok monitors both speed and acceleration. Curtain Lok will automatically lock a divider curtain in position at any time whether in storage or during the raising/lowering cycle should the movement exceed normal operating parameters. In the event of an over-speed situation caused by a malfunction of the hoisting apparatus the significant increase in cycle speed immediately activates the locking device. The locking mechanism reacts to the speed of the drive shaft and prevent it from exceeding a speed of approximately 200 RPM or about 1 foot per second.

The locking mechanism is fail-safe and never requires any type of lubrication. The Curtain Lok unit incorporates a fully automatic reset and does not require poles, ropes, levers or buttons to reset. The unit has a cast aluminum housing and all steel internal mechanism and mounting brackets.

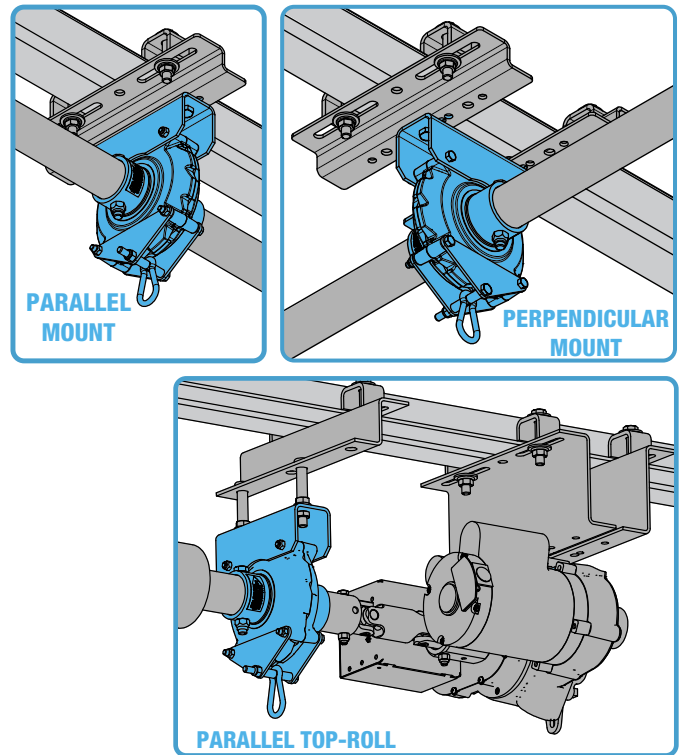


Ratings	
Load Rating:	1250 lbs. (567kg) of suspended load on a 2-3/8" (60mm) pipe diameter <i>(max loads will vary by diameter of cable spool)</i>
Speed Rating:	Unit will lock at approximately 200 RPM or 1' (305mm) per second on a 2-3/8" (60mm) drum. Contact Draper regarding unique mounting or shaft size applications.

Curtain Lok Dimensions



Curtain Lok Mounting Details



Draper, Inc. | 411 S. Pearl St. Spiceland, IN 47385
draperinc.com | 765.987.7999 | 800.238.7999

© 2021 All Rights Reserved | FORM: 504321_CurtainLok_Sub21

PROJECT: _____

ARCHITECT: _____

CONTRACTOR: _____

SUPPLIER: _____

DATE: _____ REVISED: _____

504321 - Curtain Lok Safety Device

INSTRUCTIONS FOR INSTALLATION

Important Safety Information

⚠ WARNING ⚠

Improper installation and use of the Curtain Lok Safety Device can result in serious injury or death. Primarily, injuries can occur if the unit falls due to imprecise installation, mishandling of the unit during installation. Please use extreme care.

1. Please read the following installation guidelines thoroughly and follow them carefully. Failure to do so may cause product to fall or otherwise fail, and could result in serious injury.
2. Installation and calibration of the unit should only be performed by an authorized, qualified, and experienced professional.
3. Do not affix the unit to wall or ceilings that have inadequate strength to permanently hold the unit during use. It is the owner's and installer's responsibility to confirm the wall or ceiling to which the unit attaches is sufficient to permanently hold the weight and stress loads of the unit at all times. Draper®, Inc., is not responsible for improper installation, application, testing, or workmanship related to the product at place of installation.
4. The Curtain Lok is not meant to be a bearing. It should not provide any support to the rotating shaft it is connected to.
5. Never leave the area while operating the unit during installation, maintenance, or normal operation, unless it is secure and safe.
6. Failure to precisely follow installation guidelines invalidates all warranties.

Before Beginning Installation

1. Look for any job site conditions that could interfere with installation or operation of the system.
2. Read carefully and be sure to understand all installation instructions and all related operations manuals. These instructions are intended to serve as a guide for the installer and owner. They should be followed closely and combined with the expertise of experienced qualified installers. Draper, Inc., is not responsible for improper installation, application, testing, or workmanship related to the product at place of installation. Please retain all instructions for future use.
3. If you have any difficulties with installing, servicing, or operating your Curtain Lok, call your dealer or Draper, Inc., 765-987-7999.

The Curtain Lok is designed to stop a shaft from rotating in the event of a sudden unexpected increase in speed or a gradual over-speed.

PARTS LIST

Qty.	Description
1	Curtain Lok
2	1/2"-13 x 3 1/2" bolt (pipe bolts)
2	1/2"-13 x 2 1/2" bolt (mounting bracket to structure bolts)
2	1/2"-13 Nyloc nut (for pipe bolts)
2	1/2"-13 locking flange nut (for mounting bracket bolts)

ANNUAL MAINTENANCE

1. Test the unit annually with the curtain in the lowered position.
2. Remove only the two 1/2" bolts that secure the rotating portion of the unit to the pipe. The rotating portion of the unit should spin freely and should not be providing any support to the curtain shaft. Grasp the rotating portion of the unit and quickly turn in the down rotation to assure the unit locks. Once you have proven the unit locks, reverse the direction of rotation to free the locking mechanism and reattach to the pipe using the hardware as per installation instructions.

If the unit does not lock, contact your manufacturer and replace the unit.

Section 1 - Installation Instructions

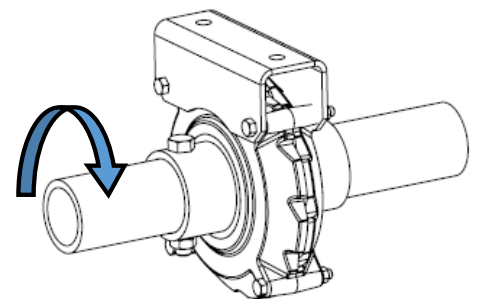
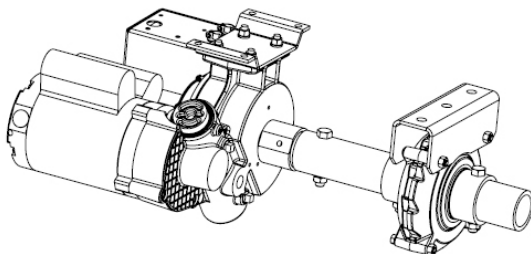
1. Assure that the structure you are mounting the Curtain Lok to is sufficient to handle the shock load in the event of a shaft failure.
2. Curtain Lok should be attached as close to the motor unit as possible, but may be placed farther away from the motor unit if necessary.
3. Slide the unit on to the 2-3/8" (60mm) drive pipe. Make sure the DOWN arrow on the Curtain Lok hub will rotate in the proper direction when lowering the curtain. **The unit will not function properly if the orientation is reversed.**
4. Connect the Curtain Lok to the supporting structure.

Please Note: Be sure to align the unit such that it is not loaded by the rotating shaft.

The rotating hub of the Curtain Lok should spin freely and should not be providing any support to the rotating shaft.

5. Drill through the pipe using the Curtain Lok 1/2" (13mm) bushing holes as guide.
6. Insert the 1/2" (13mm) bolt through each side of the Curtain Lok and fasten to approximately 25 ft. lbs. torque using the 1/2" (13mm) Nyloc nuts. Check all connections.
7. Run the curtain or batting cage in both UP and DOWN to confirm the Curtain Lok is rotating freely.

Please Note: The Curtain Lock does not require any lubrication and should never be lubricated. Make sure all connections are secure, tightening as necessary.



Please Note: The unit only locks in one direction. The arrow on the hub of the Curtain Lock indicates the downward rotation of the device and should be tested prior to powering your equipment.