

5⁹/₁₆" OD Permanent/ Semi-Permanent Football Goalposts

High School and Collegiate
Goalposts and Accessories

by **DRAPER**

Please Mark Appropriate Selections

Select Goalposts

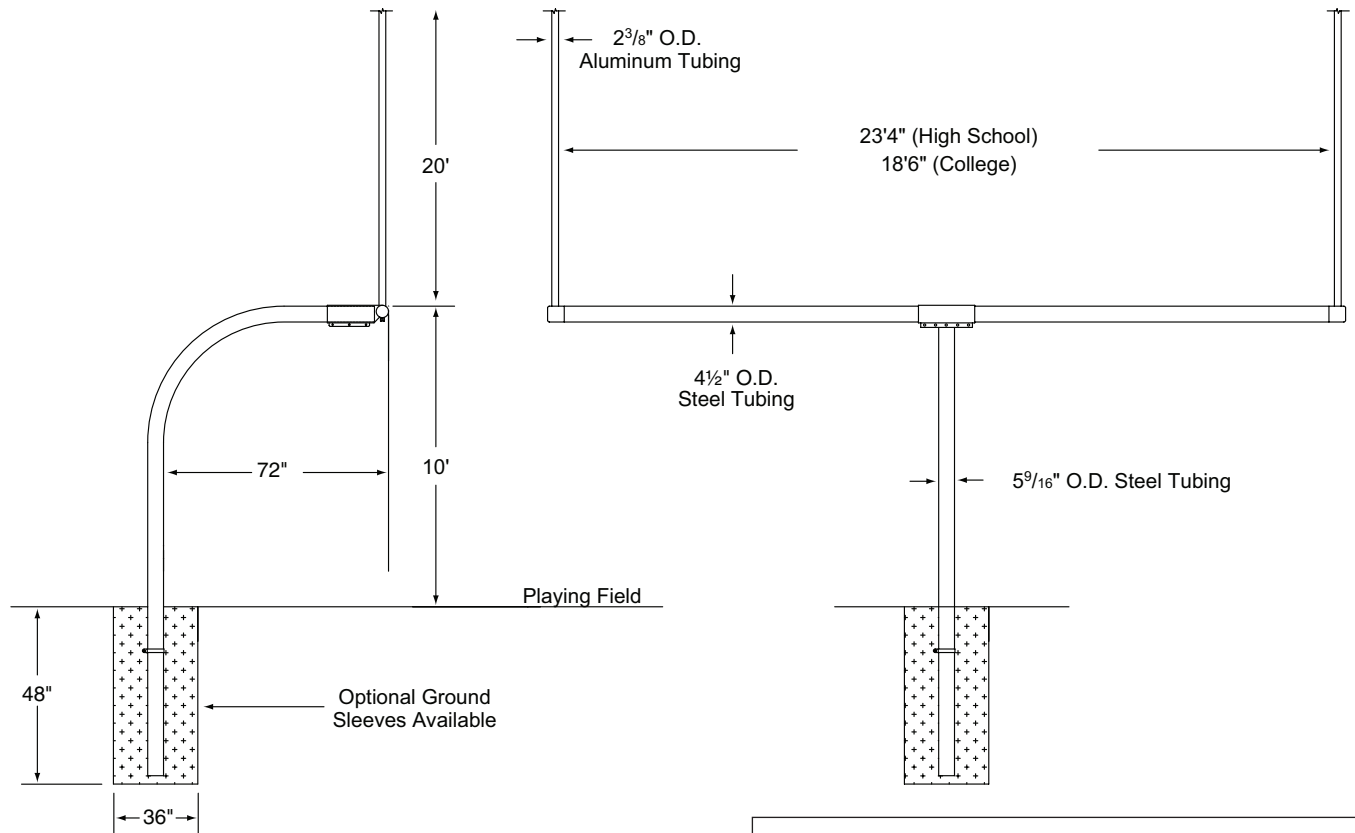
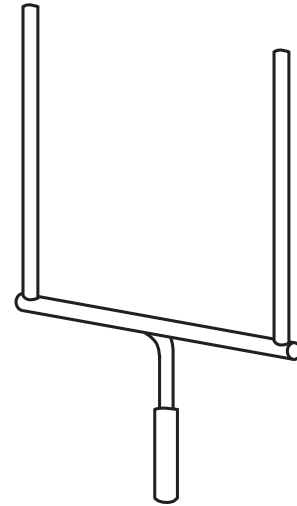
- 505122—5⁹/₁₆" OD White High School
- 505123—5⁹/₁₆" OD Yellow High School
- 505124—5⁹/₁₆" OD White Collegiate
- 505125—5⁹/₁₆" OD Yellow Collegiate

Optional Goalpost Pads—5051xx

- | | | |
|---|---|---|
| <input type="checkbox"/> Marine Blue-02 | <input type="checkbox"/> Red-04 | <input type="checkbox"/> Beige-05 |
| <input type="checkbox"/> Orange-06 | <input type="checkbox"/> Yellow/Gold-07 | <input type="checkbox"/> Grey-08 |
| <input type="checkbox"/> Maroon-09 | <input type="checkbox"/> Blue/Royal Blue-10 | <input type="checkbox"/> Black-11 |
| <input type="checkbox"/> Purple-12 | <input type="checkbox"/> Forest Green-13 | <input type="checkbox"/> Kelly Green-14 |
| <input type="checkbox"/> Navy Blue-15 | | |

Other Options

- Optional Ground Sleeve 505101—5⁹/₁₆" OD



PROJECT: _____

ARCHITECT: _____

CONTRACTOR: _____

SUPPLIER: _____

DATE: _____ REVISED: _____

DRAPER

5⁹/₁₆" OD Permanent/ Semi-Permanent Football Goalposts

Specifications—5⁹/₁₆" Gooseneck High School Permanent/ Semi-Permanent Goalposts

Gooseneck High School Goalposts shall be provided by Draper, Inc., of Spiceland, IN. Goalposts meet all National High School Federation rules. Goalposts are of the single bent post design and provide a minimum of 72" of setback from the front of the post to the front of the horizontal crossbar. The bent post is 5-9/16" outside diameter, ASTM A500, Grade C structural pipe with a minimum wall thickness of .25" and provides no less than 48" to bury into the ground.

Horizontal crossbars are made from 4½" outside diameter zinc flow coated steel tube with a minimum wall thickness of .18" and are the correct length to allow uprights to extend upward with official NFHS 23'4" between the upright members. Crossbar attaches to the bent post by an adjustable "T" adapter that allows adjustment of the horizontal crossbar for ease and accuracy of installation.

Two vertical uprights extend a minimum of 20' above top of crossbar. Uprights are constructed of 2-3/8" diameter aluminum with a minimum .154" wall thickness. Uprights are connected to each end of the crossbar by an insert that allows the angle of the uprights to be adjusted at the time of installation. The insert design allows rain to escape through the insert from the top of the uprights.

All steel and aluminum members have a white (model No 505122) or safety yellow (Model No 505123) powder coated finish. All hardware is zinc plated and grade 5 minimum. Optional features include ground sleeves and safety padding. Shipping weight is approximately 1,200 lbs. per pair.

Specifications—5⁹/₁₆" Gooseneck College Permanent/Semi-Permanent Goalposts

Gooseneck College Goalposts shall be provided by Draper, Inc., of Spiceland, IN. Goalposts meet all NCAA rules. Goalposts are of the single bent post design and provide a minimum of 72" of setback from the front of the post to the front of the horizontal crossbar. The bent post is 5-9/16" outside diameter, ASTM A500, Grade C structural pipe with a minimum wall thickness of .25" and provides no less than 48" to bury into the ground.

Horizontal crossbars are made from 4½" outside diameter zinc flow coated steel tube with a minimum wall thickness of .18" and are the correct length to allow uprights to extend upward with official NCAA 18'6" between the upright members. Crossbar attaches to the bent post by an adjustable "T" adapter that allows adjustment of the horizontal crossbar for ease and accuracy of installation.

Two vertical uprights extend a minimum of 20' above top of crossbar. Uprights are constructed of 2-3/8" diameter aluminum with a minimum .154" wall thickness. Uprights are connected to each end of the crossbar by an insert that allows the angle of the uprights to be adjusted at the time of installation. The insert design allows rain to escape through the insert from the top of the uprights.

All steel and aluminum members have a white (model No 505124) or safety yellow (Model No 505125) powder coated finish. All hardware is zinc plated and grade 5 minimum. Optional features include ground sleeves and safety padding. Shipping weight is approximately 1,075 lbs. per pair.

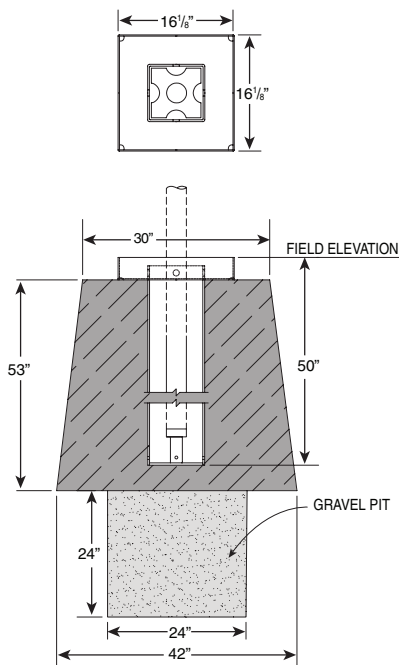
Specifications—505101 Deluxe Adjustable Height Goalpost Ground Sleeves

Sleeves are specifically designed to allow removable and adjustable installation of Draper gooseneck style football goalposts.

Sleeves consist of 8" square steel tubing, a minimum of 50" long with a formed pan welded at the top of the tube to allow for bury below the playing surface. Welded sleeve is hot dipped galvanized after welding.

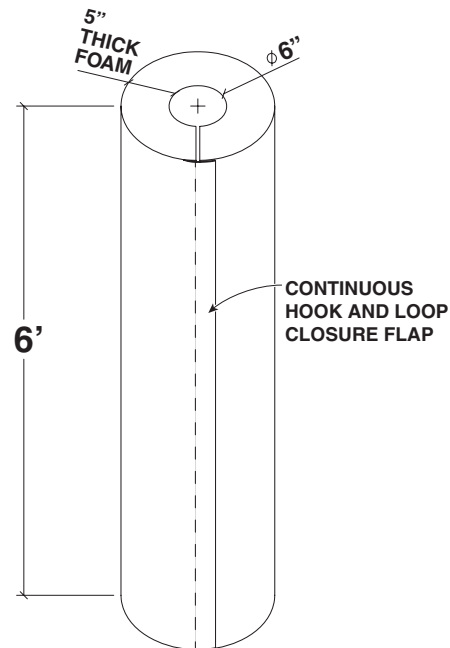
Sleeve design allows for rotational goalpost crossbar height adjustment of up to 4" at installation by means of a 2½" diameter threaded adjustable screw located in the bottom of the sleeve for exact 10' official crossbar height. Post is adjusted for plumb by four ¾" adjusting screws.

An anti-rotation device holds the goalpost square to the field. An aluminum finish cap fills the sleeve pan both when the goal is installed and when it is removed. Shipping weight is approximately 120 lbs each.



Specifications—5051XX Optional Football Goalpost Padding

Padding meets all NCAA and National High School Federation rules. Foam is a minimum of 5" thick and is covered with sewn 14 oz. vinyl covering that is available in 13 school colors. Height measures 72" minimum and is attached to the post by a hook and loop style closure flap. Pad will fit any goalposts up to 5-9/16" diameter. Shipping weight is approximately 20 lbs. each.



Downloadable 3-part specifications
are available at www.draperinc.com.