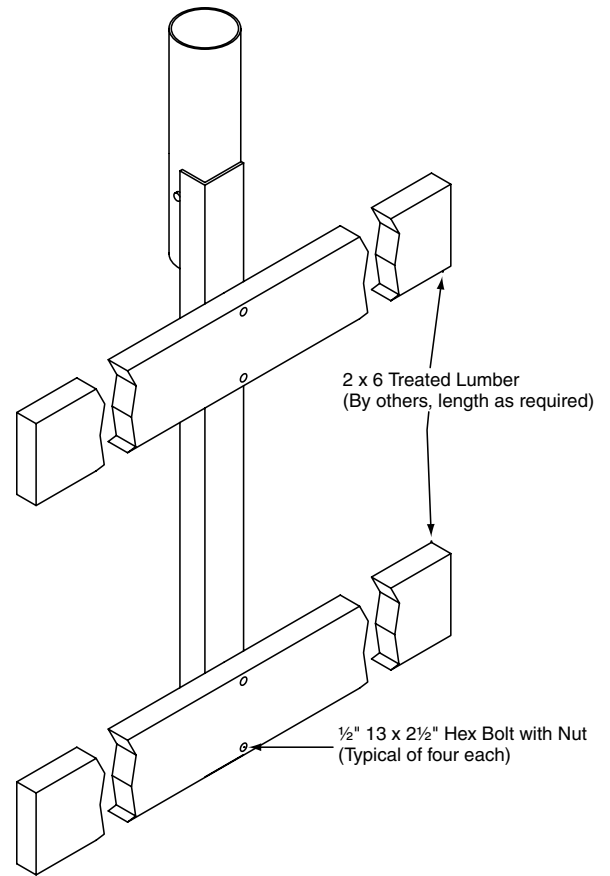
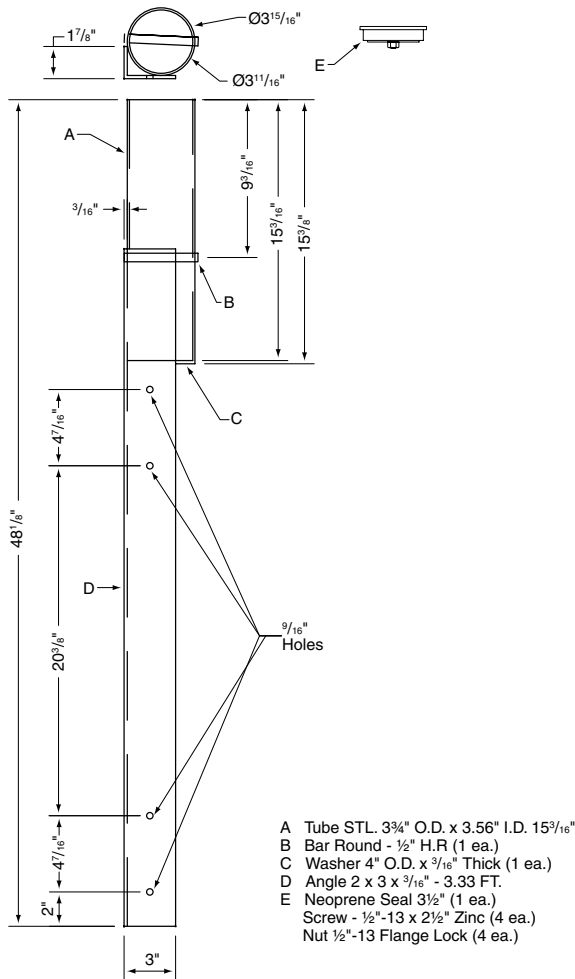


505310

Sand/Beach Sleeve Kit with Neoprene Seal Cap

by **DRAPER**



Specifications—505310

Sand/Beach Sleeve Kit with Neoprene Seal Cap

_____ Sand/Beach Sleeve Kit with Neoprene Seal Cap, #505310 by Draper, Inc. of Spiceland, IN.

Sand/Beach sleeve shall be designed to allow use Draper's Championship Outdoor Aluminum Volleyball System for use on sand courts or beaches where concrete footings may not be desired.

Sand/Beach sleeve shall be constructed with 3 3/4" OD tubing with an inside diameter of 3.56" and 2" x 3" x 3/16" steel angle. Steel angle shall be pre-drilled and hardware shall be provided to attach two 2 x 6 treated lumber spreaders (by others). Spreaders are located perpendicular to the net to stabilize standard when net is tensioned. Sand/Beach sleeve shall have an overall length of 48 1/8" and shall have 1/2" diameter limit pin, creating a 6" debris trap at the bottom of the sleeve. Sleeve is finished with black powder coat. Cap shall be provided with a neoprene seal cap that when properly tightened with a 7/32 allen wrench (not included) makes sleeve virtually watertight.

#505310 Outdoor Ground Sleeve designed for use with Draper #505501 Championship Outdoor Aluminum Volleyball System or any other 3 1/2" OD outdoor game standard requiring an sleeve with an inside depth of 9".

Installation Instructions:

- ① Dig hole 48" to 52" deep and of sufficient size to allow for the installation of the sleeve attached with 2 x 6 treated lumber spreaders (by others). Lumber spreaders should run perpendicular to the net and should be of sufficient length to allow proper stability of the standard when net is under tension.
- ② Insert the sleeve with the open end facing upward. The sleeve should be installed plumb and level with the stop pin exactly 9" below the playing surface. Sleeve should never extend above the playing surface.
- ③ Back fill hole making sure the sand or soil is compacted around the sleeve and attached spreaders.

PROJECT: _____

ARCHITECT: _____

CONTRACTOR: _____

SUPPLIER: _____

DATE: _____ REVISED: _____

DRAPER

411 S. Pearl St., Spiceland, IN 47385 USA ■ 765-987-7999 ■ fax 765-987-7142

www.draperinc.com

Copyright © 2006 Draper Inc. Form VB-505310_Sub-Inst06 Printed in U.S.A.