

# Back to Back Outdoor Backstop - 5060XY

5 9/16" (141mm) OD Back to Back Straight Post with 6' (183cm) Backstop Extensions

## SUBMITTAL

### TECHNICAL SPECIFICATIONS

### Specifications

#### Product Description

**5060XY Outdoor Backstop by Draper, Inc. Spiceland, IN.**

**5060XY Backstop** shall have a 5 9/16" OD heavywall galvanized post with two 6' adjustable height extensions. Post is capped for protection from weather.

Horizontal and diagonal galvanized tubes of extensions shall be 2 3/8" OD. Post includes four 1-3/8" dia. galvanized tubular braces to support upper corners of backboard and two 1-5/8" galvanized tubular brace between post and extension arms for stability.

Top backboard braces are 1" OD galvanized tube.

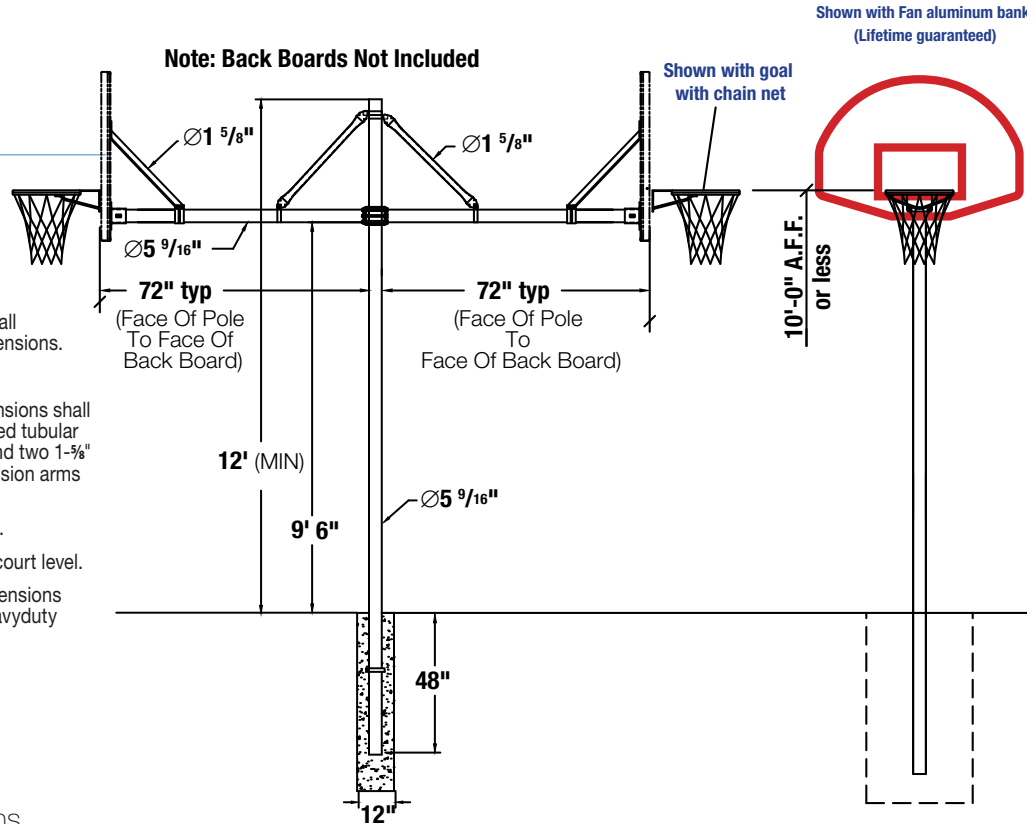
Extensions can be installed from 0' to 10' above court level.

The backboards and goals bolt directly to the extensions forming a solid unit that transfers loads to the heavyduty steel post to eliminate strain on the backboard.

**XY** indicates the backboard and goal.

Backstop available with a variety of backboards and goals per chart below.

Please Mark Appropriate Selections



#### Select Backboard (X)

- 503148 Fan Fiberglass Backboard
- 503143 Fan Aluminum—Border and Target
- 503167 72" x 42" Rectangular Steel Backboard—Border and Target
- 503034 72" x 42" Rectangular Polycarbonate Backboard
- 503035 54" x 42" Rectangular Polycarbonate Backboard

#### X = BACKBOARD

Part Number : Description
<b>503148</b> : Fan Fiberglass
<b>503143</b> : Fan Aluminum - Border and Target
<b>503167</b> : 72" x 42" Rectangular Steel
<b>503034</b> : 72" x 42" Rectangular PolyCarbonate
<b>503035</b> : 54" x 42" Rectangular PolyCarbonate

#### Select Goal (Y)

- 503572 Heavy Duty Stationary Goal with Nylon Net
- 503575 Double Rim Goal with Nylon Net
- 503579 Double Rim Goal with Chain Net
- 503077 Super Goal with Premium Chain Net
- 503078 Super Goal with Nylon Net
- 503079 Outdoor Breakaway Goal with Nylon Net

#### Y = GOAL

Part Number : Description
<b>503572</b> : Heavy Duty Stationary Goal with Nylon Net
<b>503575</b> : Double Rim Goal with Nylon Net
<b>503579</b> : Double Rim Goal with Chain Net
<b>503077</b> : Super Goal with Premium Chain Net
<b>503078</b> : Super Goal with Nylon Net
<b>503079</b> : Outdoor Breakaway Goal with Nylon Net

#### Select Optional Goalpost Pads

- 506985 Outdoor Backstop Pad (optional)



Draper, Inc. | 411 S. Pearl St. Spiceland, IN 47385  
draperinc.com | 765.987.7999 | 800.238.7999

©2024 All Rights Reserved | FORM:5060XY\_BackToBackOutdoorBackstop\_Sub24

PROJECT: \_\_\_\_\_

ARCHITECT: \_\_\_\_\_

CONTRACTOR: \_\_\_\_\_

SUPPLIER: \_\_\_\_\_

DATE: \_\_\_\_\_ REVISED: \_\_\_\_\_