

Outdoor Backstop - 5065XY

5 9/16" (141mm) OD Gooseneck Post with 6' (183cm) Extension Backstop

SUBMITTAL TECHNICAL SPECIFICATIONS

Specifications

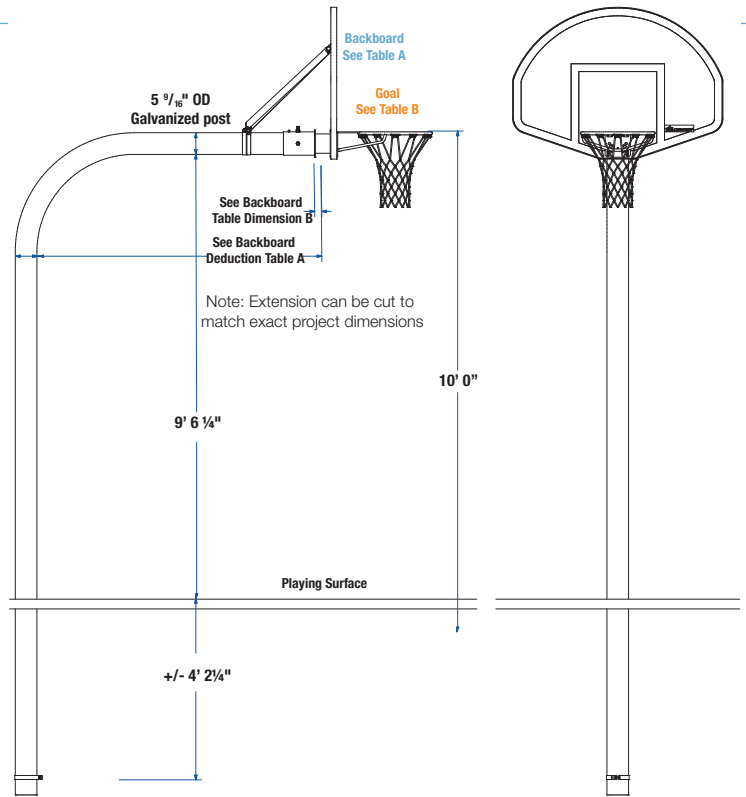
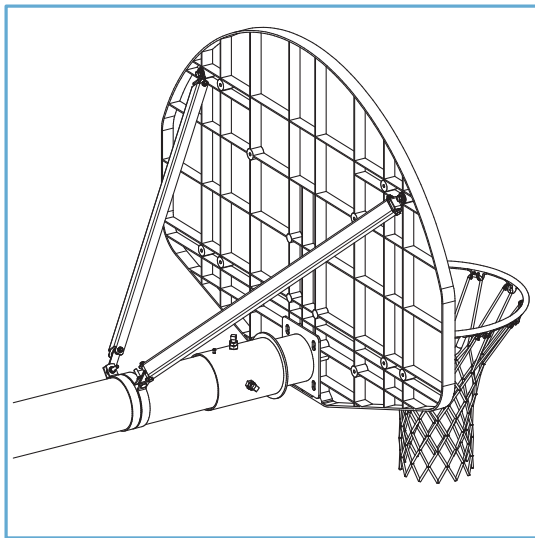
Product Description

5065XY Outdoor Backstop by Draper, Inc. Spiceland, IN.

5065XY Backstop shall have a 5 9/16" OD heavy-wall galvanized post with an approximate 18" radius to extend the face of the backboard approximately 6'0" from the front edge of the post.

The backboard and goal bolt directly to the backboard mounting plate attached to the post forming a solid unit that transfers loads to the heavy-duty steel post to eliminate strain on the backboard.

XY indicates the backboard and goal. Backstop available with a variety of backboards and goals per chart below.



Please Mark Appropriate Selections

Select Backboard (X)

- 503148 Fan Fiberglass Backboard
- 503143 Fan Aluminum—Border and Target
- 503167 72" x 42" Rectangular Steel Backboard—Border and Target
- 503034 72" x 42" Rectangular Polycarbonate Backboard
- 503035 54" x 42" Rectangular Polycarbonate Backboard

Select Goal (Y)

- 503572 Heavy Duty Stationary Goal with Nylon Net
- 503575 Double Rim Goal with Nylon Net
- 503579 Double Rim Goal with Chain Net
- 503077 Super Goal with Premium Chain Net
- 503078 Super Goal with Nylon Net
- 503079 Outdoor Breakaway Goal with Nylon Net

Select Optional Goalpost Pads

- 506984 Outdoor Backstop Pad (optional)

X = BACKBOARD

Part Number : Description	DIM A	DIM B
503148 : Fan Fiberglass	6' 5"	5 3/4"
503143 : Fan Aluminum - Border and Target	6' 4"	4 3/4"
503167 : 72" x 42" Rectangular Steel	6' 5"	5 3/4"
503034 : 72" x 42" Rectangular PolyCarbonate	6' 5 3/4"	6 1/2"
503035 : 54" x 42" Rectangular PolyCarbonate	6' 5 3/4"	6 1/2"

Y = GOAL

Part Number : Description
503572 : Heavy Duty Stationary Goal with Nylon Net
503575 : Double Rim Goal with Nylon Net
503579 : Double Rim Goal with Chain Net
503077 : Super Goal with Premium Chain Net
503078 : Super Goal with Nylon Net
503079 : Outdoor Breakaway Goal with Nylon Net



Draper, Inc. | 411 S. Pearl St. Spiceland, IN 47385
draperinc.com | 765.987.7999 | 800.238.7999

©2024 All Rights Reserved | FORM: 5065XY_GooseneckOutdoorBackstop_Sub24

PROJECT: _____

ARCHITECT: _____

CONTRACTOR: _____

SUPPLIER: _____

DATE: _____ REVISED: _____