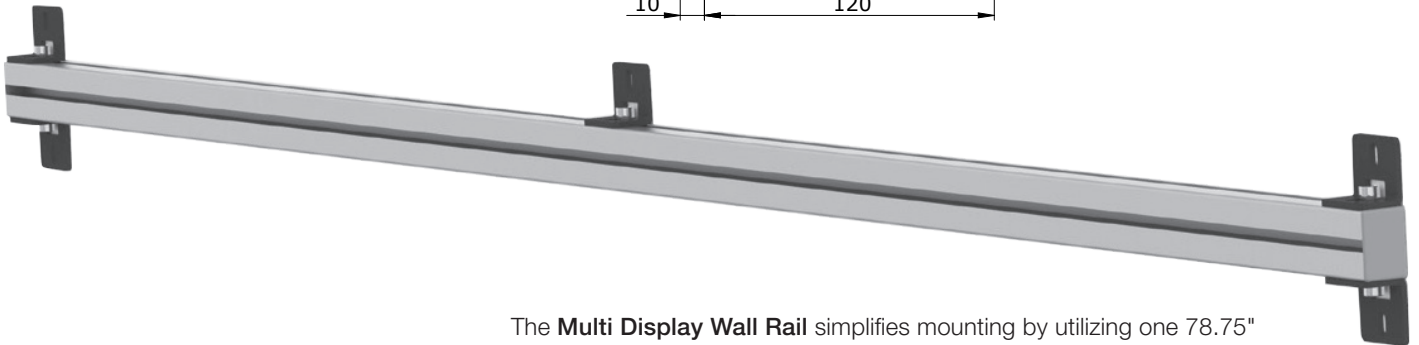
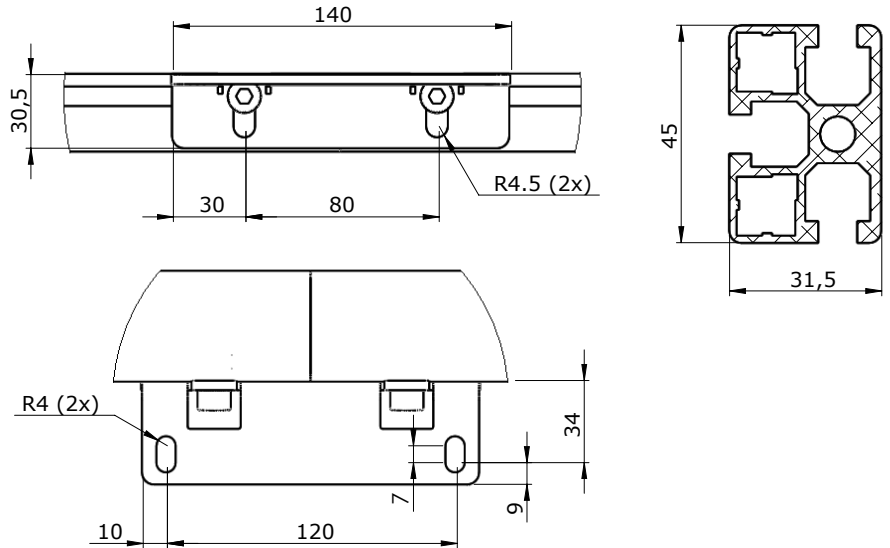
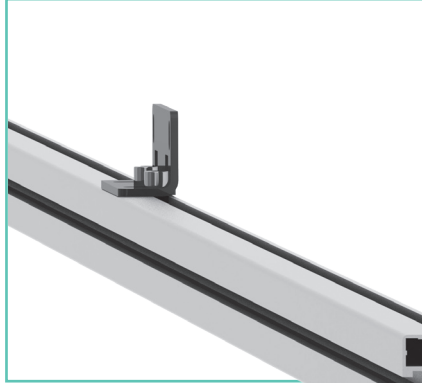




MULTI DISPLAY WALL RAIL



The **Multi Display Wall Rail** simplifies mounting by utilizing one 78.75" (2000 mm) long rail instead of multiple rails for extra fast and accurate mounting. This provides a single installation with a continuous level mounting point for all displays in the row. One long rail allows for easier leveling of multiple displays within a row.

These aluminum wall rails can be cut to desired length in the field and combined. Attractive endcaps provide a nice finish. The Multi Display Wall Rail can be used with any of the video wall mount series.

FOCUSED ON
INNOVATIVE
SOLUTIONS

CORE SOLUTION

- Length: 78.75" (2000 mm) long.
- Maximum weight per display: 331 lbs. (150 kg).
- Included hardware: one wall rail with attachment hardware and two endcaps.
- Aluminum finish.
- **Seismic rating:** Draper is able to provide seismic rated mounting solutions when specified in advance.



www.draperinc.com/contactus/avinquiry.aspx

Please contact your sales team if seismic rating is required for your project.