

# Acumen<sup>®</sup> XL E

Wall-Mounted screen

Please check all appropriate selections and attach room schedule with verified dimensions.

## Specifications

QUANTITY: \_\_\_\_\_ SIZE: \_\_\_\_\_ h. x \_\_\_\_\_ w.

Projection screens, electrically operated 110-120V AC, 60 Hz. 4-wire motor mounted inside screen roller, 1.1 amp draw, instantly reversible, lifetime lubricated, with internal thermal overload protector and electric brake, with factory set limits. 5" (127mm) dia. metal roller, mounted on rubber insulated supports.

ROLLER/FABRIC ASSEMBLY: May be installed in case at factory or job site. Brackets supporting roller/fabric assembly to slide in track inside top of case, allowing viewing surface to be centered in case regardless of screen size. Roller of 2"-3" (51-76 mm) dia. steel. Top of 16:10 and 16:9 format viewing surfaces through 110" (2.8 m) diagonal masked by 12" (30 cm) black drop. Viewing surface flame and mildew resistant. Matt White XT1000E and Contrast Grey XH600E viewing surfaces are certified to GREENGUARD standards for low chemical emissions into indoor air during product usage. For more information, visit [ul.com/gg](http://ul.com/gg).

Contoured case of 0.156" (3.9624 mm) thick, 9-gauge extruded aluminum. Removable front fascia conceals viewing surface that retracts completely inside the case. Case dimensions are 9-¼ inches h x 8-½ inches d (234 mm x 205 mm).

Wall Mount Brackets (standard) or Ceiling Mount Brackets: "Floating" steel brackets, finished to match screen case.

3-position control switch to stop or reverse screen at any point. Switch complete with cover plate.

Entire unit certified by Underwriters' Laboratories, Inc. for the U.S. and Canada.

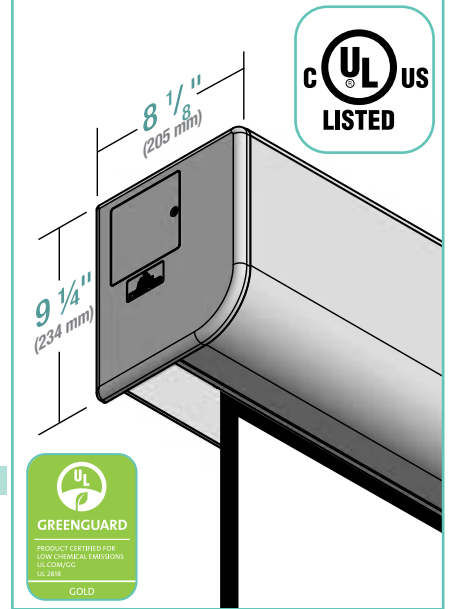
Plenum rated case (UL approved "Suitable for Use in Environmental Air Space"), For more information, visit [ul.com/gg](http://ul.com/gg).

DOWNLOADABLE 3-PART SPECIFICATIONS: available at [www.draperinc.com](http://www.draperinc.com)

Please note: Dimensions of rollers, operators, and hardware at manufacturer's discretion.

## SUBMITTAL

### TECHNICAL INFO



## Select Viewing Surface:

### OptiFlex (Self-Supporting Screen Surface)

- Matt White XT1000E
- Contrast Grey XH800E
- Pearl White CH1900E
- ClearSound White Weave XT900E

## Select Optional Accessories:

- Additional Drop \_\_\_\_\_ (Beyond standard 12")
- Total Drop \_\_\_\_\_ (Standard 12" + Additional drop)
  - Black (standard)
  - Same color as viewing surface  
(Total screen height cannot exceed 12')

## Dimensions and Data

### 16:10 Format

Nominal Diagonal	Image Area	Overall Size	Case Length	Net Wt. (lbs.)	Qty.
165"	87 ½" x 140"	92 ½" x 144"	159 ¼"	144	
189"	100" x 160"	105" x 164"	179 ¼"	162	
198"	105" x 168"	110" x 172"	187 ¼"	169	
222"	117 ½" x 188"	122 ½" x 192"	207 ¼"	193	
255"	135" x 216"	140" x 220"	235 ¼"	221	

### 16:9 HDTV Format

Nominal Diagonal	Image Area	Overall Size	Case Length	Net Wt. (lbs.)	Qty.
161"	79" x 140"	84" x 144"	159 ¼"	143	
184"	90" x 160"	95" x 164"	179 ¼"	160	
193"	94 ½" x 168"	99 ½" x 172"	187 ¼"	167	
220"	106" x 188"	111" x 192"	207 ¼"	184	
248"	121 ½" x 216"	126 ½" x 220"	235 ¼"	218	

### 2.39:1 CinemaScope Format

Nominal Diagonal	Image Area	Overall Size	Case Length	Net Wt. (lbs.)	Qty.
135"	52" x 124 ¼"	64" x 128 ¼"	143 ½"	129	
150"	58" x 138 ¼"	62" x 142 ¼"	157 ½"	139	
169"	65" x 155 ¼"	69" x 159 ¼"	174 ½"	153	
208"	80" x 191 ¼"	84" x 195 ¼"	210 ½"	182	

### 1.9:1 2K / 4K Full Format

Nominal Diagonal	Image Area	Overall Size	Case Length	Net Wt. (lbs.)	Qty.
139"	65" x 123 ½"	69" x 127 ½"	142 ¾"	129	
161"	75" x 142 ½"	79" x 146 ½"	161 ¾"	145	
182"	85" x 161 ½"	89" x 165 ½"	180 ¾"	161	
204"	95" x 180 ½"	99" x 184 ½"	199 ¾"	177	

### Custom Size

--	--	--	--	--	--



Draper, Inc. | 411 S. Pearl St. Spiceland, IN 47385  
draperinc.com | 765.987.7999 | 800.238.7999

© 2023 All Rights Reserved | FORM: AcumenXLE\_Sub23

PROJECT: \_\_\_\_\_

ARCHITECT: \_\_\_\_\_

CONTRACTOR: \_\_\_\_\_

SUPPLIER: \_\_\_\_\_

DATE: \_\_\_\_\_ REVISED: \_\_\_\_\_

## Select Case Color

- White (*standard*)
- Black (*optional*)

## Optional Accessories

- Extra Drop
- Black (*standard*)
- Same color as viewing surface
- Length of Total Drop: \_\_\_\_\_

**Please Note:** Extra drop increases case and dowel length.  
Specify at time of order and contact Draper if dimension is critical.

## Select Motor and Controls

### Low-Voltage Motor and Control Options:

- Internal LVC-IV (*STANDARD Low-Voltage Control Module*)

**Please Note:** These motors come with a single LVC-S Wall Switch).

- External LVC-IV (*Optional Low-Voltage Control Module*)

### Select Control Options for Low-Voltage from below:

- 24 Volt 3-Button Switch (*Number of 24V switches: \_\_\_\_\_*)
- Radio Frequency Remote Control (*only with 24V*)
- Infrared Remote Control (*only with 24V*)
- Optional Key Operated Switch
  - Power Supply Key Switch (*On-off*)
  - 3-Position Switch with Hinged Key-Locking Coverplate

### Optional Voltage Motor and Control Options:

- 110-120V AC (*optional*)

**Please Note:** These motors come with one 110V-120V AC 3-position wall switch (*silver wall plate with black rocker*).

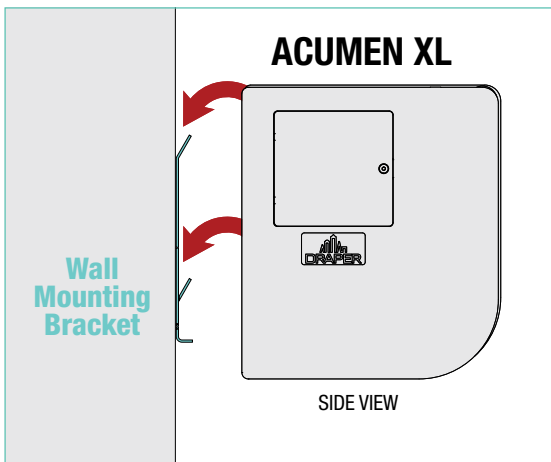
Total number of 110-120V AC switches: \_\_\_\_\_  
(*switches operate independently*)

- Substitute white switch(es) for silver wall plate with black rocker
- Optional Key Operated Switch
  - Power Supply Key Switch (*On-off*)
  - 3-Position Key Control
  - 3-Position Switch with Hinged Key-Locking Coverplate

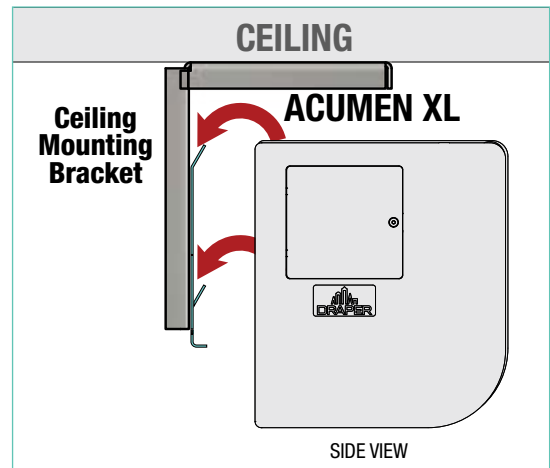
## Methods of Installation

**⚠ CAUTION:** Product is very heavy: Installer must provide adequate attachment hardware and anchors as required.  
Installer must also ensure that wall or ceiling structure is of adequate strength.

### WALL MOUNTED



### CEILING MOUNTED



PROJECT: \_\_\_\_\_

ARCHITECT: \_\_\_\_\_

CONTRACTOR: \_\_\_\_\_

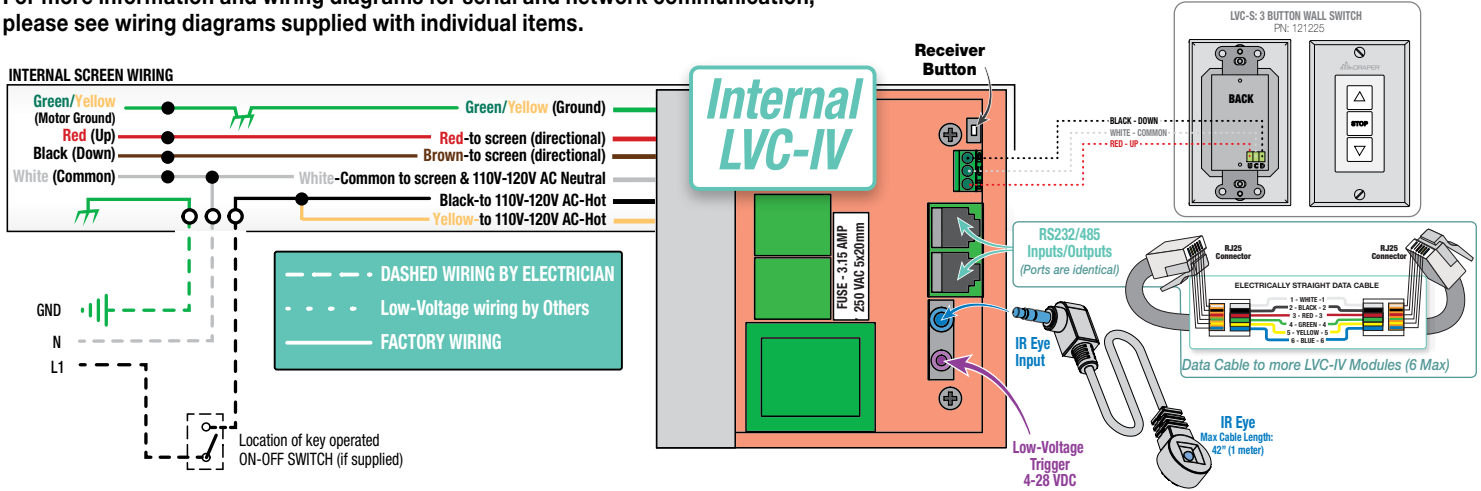
SUPPLIER: \_\_\_\_\_

DATE: \_\_\_\_\_ REVISED: \_\_\_\_\_

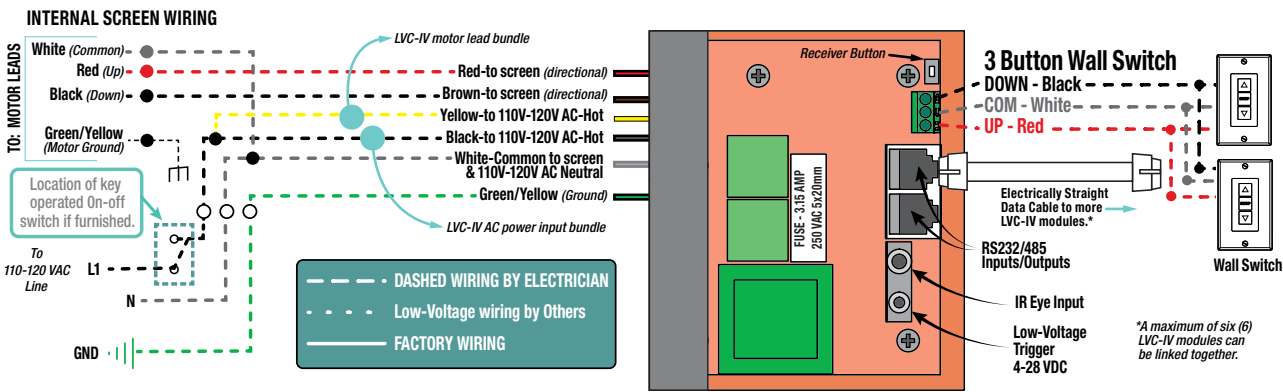


## Wiring Diagrams

For more information and wiring diagrams for serial and network communication, please see wiring diagrams supplied with individual items.

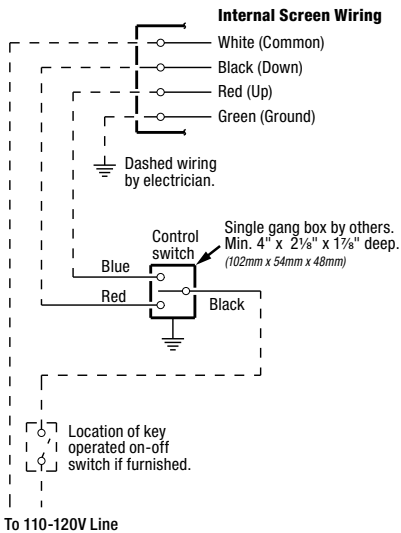


## WIRING DIAGRAM - External LVC-IV (Low-Voltage Control Module)



## 110-120V MOTOR

### Single Station Control



**Please Note:** For external low-voltage (LVC-IV), serial (LVC-IV) and network (LVC-IV) wiring diagrams, please consult instructions for those modules.

PROJECT: \_\_\_\_\_

ARCHITECT: \_\_\_\_\_

CONTRACTOR: \_\_\_\_\_

SUPPLIER: \_\_\_\_\_

DATE: \_\_\_\_\_ REVISED: \_\_\_\_\_