

AeroLift 150

Ceiling-Recessed Projector Lift with a 150 lb. (68kg) Lifting Capacity



SUBMITTAL
TECHNICAL INFO

Specifications *Please check all appropriate selections and attach room schedule with verified dimensions.*

QUANTITY: _____ **AEROLIFT 150**

VIDEO PROJECTOR LIFTS.

Maximum capacity 150 lbs. (including projector, bracket, closure and ceiling material attached to closure). Electrically operated 110-120V, 60 Hz. 3-wire motor, instantly reversible, lifetime lubricated, with internal thermal overload protector and brake. UL approved motor. Designed to be ceiling recessed or surface mounted. Lift to have scissor arm for stabilization. Factory set limit switches automatically stop travel at open and closed positions. Three-position, 110-120V switch to stop or reverse cycle at any point. Maximum vertical drop to be 38 1/2". Net weight: AeroLift 150, 32 lbs. AeroLift 150 is approved to UL 2442 and CSA C22.2 No. 60065-03.

OPTIONS

OPTIONAL ENVIRONMENTAL AIR SPACE HOUSING: Aluminum and steel, for use in return Environmental Air Space situations. Net wt: AeroLift 95 1/2 lbs. Includes trim ring for ceiling opening.

CEILING CLOSURE PANEL: Finished in white baked textured powder coat, shall descend smoothly with projector.

CEILING FINISH KIT: Finished white. Trims ceiling opening when required. Consists of trim ring and closure panel.

OPTIONAL CEILING ACCESS DOOR: Provides ceiling access when unit is installed above hard ceiling and access to projector is not convenient. White painted finish.

OPTIONAL UNIVERSAL PROJECTOR MOUNT: Tilt, yaw and pan adjustment. Available in 2 sizes. **SMALL:** for projectors up to 26 lbs. **MEDIUM:** for projector up to 135 lbs.

OPTIONAL VIDEO CONFERENCING CAMERA ADAPTER BRACKET: Enables installation of a video conferencing camera in AeroLift 150. Available in two sizes (Dimensions **SMALL** 7 1/2" x 9" x 7 1/2" or **LARGE** 9" x 12" x 9"). Special brackets available for oversize or dual camera installation.

Please Note: The AeroLift 150 should be specified in conjunction with a Draper video format motorized screen. Specifications subject to change without notice.

AeroLift 150 is approved to UL 2442 and CSA C22.2 No. 60065-03. Downloadable 3-part specifications: available at www.draperinc.com

Please note: Dimensions of rollers, operators, and hardware at manufacturer's discretion.

Select Control Options:

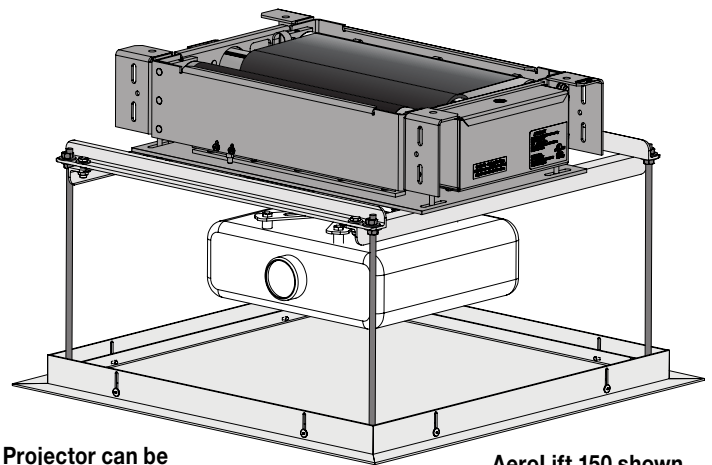
Please Note: This Draper motorized lift comes with one 110V-120V AC 3-position wall switch (silver wall plate with black rocker).

- _____ Total number of 110-120V AC switches (switches operate independently)
- Substitute white switch(es) for silver wall plate with black rocker
- Optional Lift Low Voltage Control Module
 - 24 Volt 3-Button Switch How many switches? _____
 - Radio Frequency Remote Control (only with 24V)
 - Infrared Remote Control (only with 24V)
- Optional Key Operated Switch
 - Power Supply Key Switch (On-off)
 - 3-Position Key Control
 - 3-Position Switch with Hinged Key-Locking Coverplate

Select Optional Accessories (drawings on pages 2 & 3)

Please Note: Available colors listed where applicable. AeroLift is always black.

- Optional Ceiling Access Door:
 - Access above finished ceiling (recommended)
 - Accepts Ceiling Tile
- Optional Environmental Air Space Housing: (Optional Ceiling Closure Panel not included.)
 - Powder Coat Finish of Visible Trim:
 - White (Standard)
 - Black (Optional)
- Optional Ceiling Closure Panel: (Pairs with Environmental Air Space Housing.)
 - Powder Coat Finish:
 - White (Standard)
 - Black (Optional)
- Optional Ceiling Finish Kit: (Ceiling Closure Panel and Trim Kit used to finish ceiling opening when no Environmental Air Space Housing is needed.)
 - Powder Coat Finish:
 - White (Standard)
 - Black (Optional)
- Optional Universal Projector Mount
 - Small (Max. Load 26 lbs.) Large (Max. Load 150 lbs.)
- Optional Video Conferencing Camera Adapter Bracket
 - Small (9" w. x 7 1/2" h. x 7 1/2" d.) Large (12" w. x 9" h. x 9" d.)
 - Custom for oversize or dual cameras



Projector can be installed as shown or turned 90° depending on projector size.

AeroLift 150 shown with optional closure.

Dimensions & Data **AeroLift 150**

Height of lift in closed position ¹	6"
Maximum Overall lift dimensions (WxL)	31 1/4" x 15 7/8"
Ceiling opening (with closure)	29" x 39 1/2"
Optional Env. Air Space Housing (WxL) ²	30 1/4" x 39 5/8"
Max. projector size (with closure) (WxL) ³	24 3/4" x 35"
Max. down travel	38 1/2"
Approx. travel time to lowest position	23 sec.
Total Lifting Capacity (lbs.) ⁴	150
Net weight of lift (lbs.) ⁵	32
Amperes	1.2
Projector Outlet Amperage Draw	9.5

¹Not including projector, mount or closure.

² Max. available projector/mount height (with EAS Housing): 18 1/2".

Min. available projector/mount height (with EAS Housing): 16 1/2".

³ Net Weight of Projector + Mount + Closure Panel + Cables

⁴ Unit Only: Does Not include projector, bracket, EAS Housing or closure.



Draper, Inc. | 411 S. Pearl St. Spiceland, IN 47385
draperinc.com | 765.987.7999 | 800.238.7999

© 2024 All Rights Reserved | FORM: AeroLift150_Sub24

PROJECT: _____

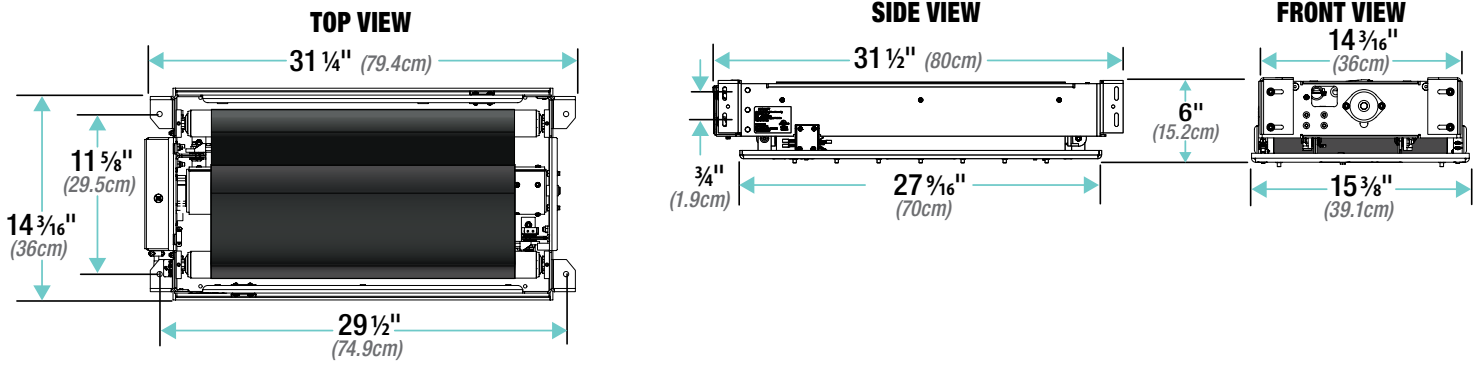
ARCHITECT: _____

CONTRACTOR: _____

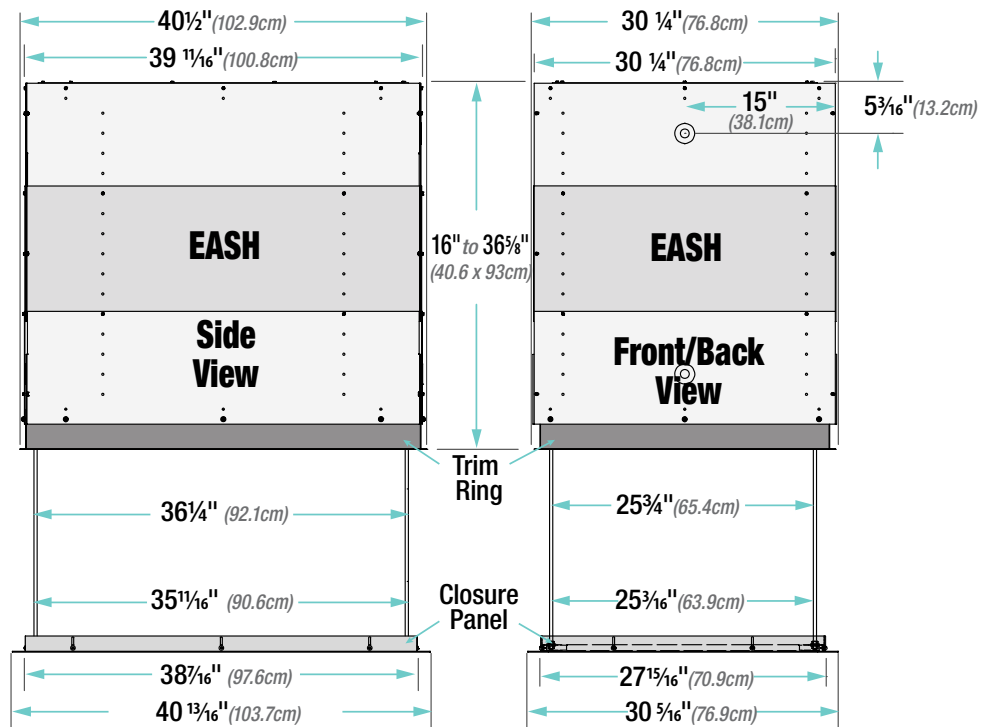
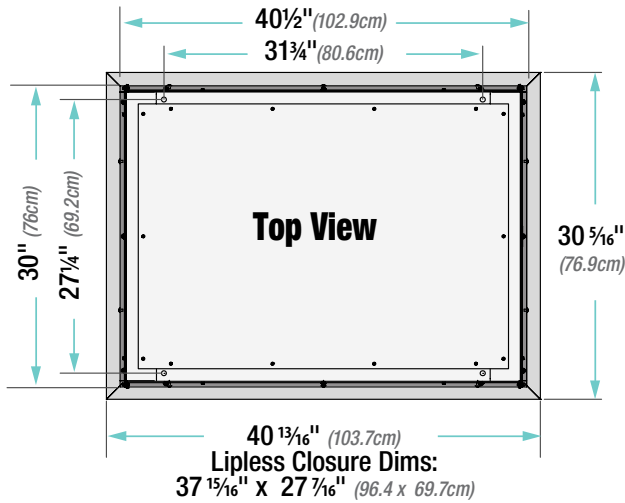
SUPPLIER: _____

DATE: _____ REVISED: _____

Dimensions

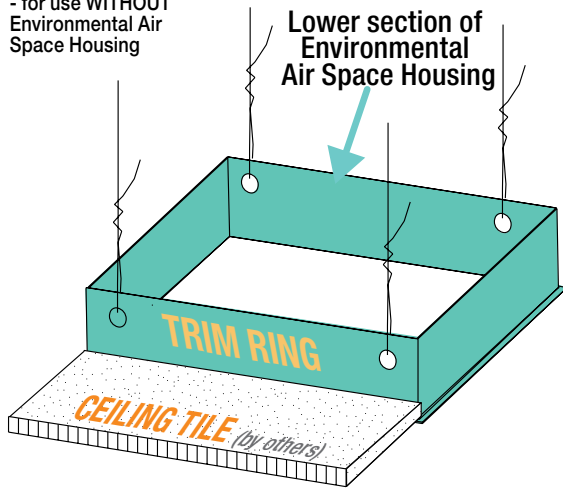


Dimensions - AeroLift 150 with Environmental Air Space Housing & Closure Panel

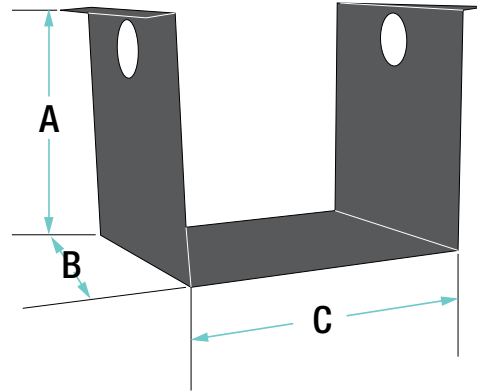


Ceiling Finish Trim Kit

Includes Closure Panel
- for use WITHOUT
Environmental Air
Space Housing



Optional Video Conferencing Camera Adapter

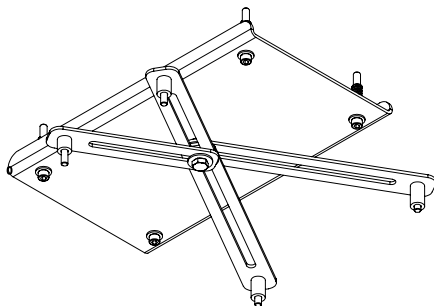
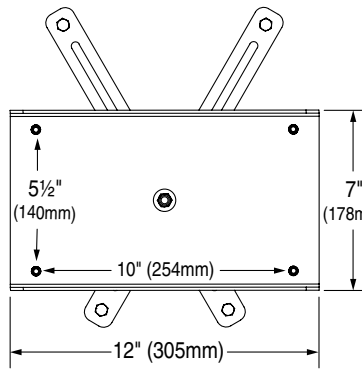
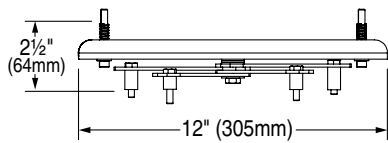


Available Sizes:

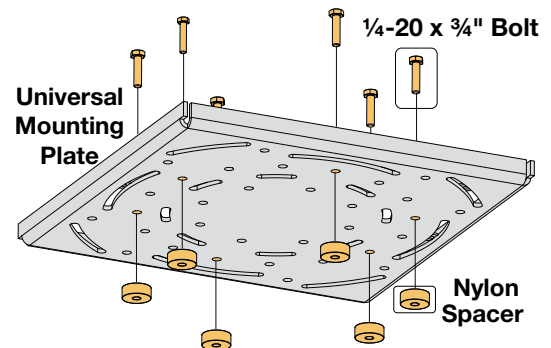
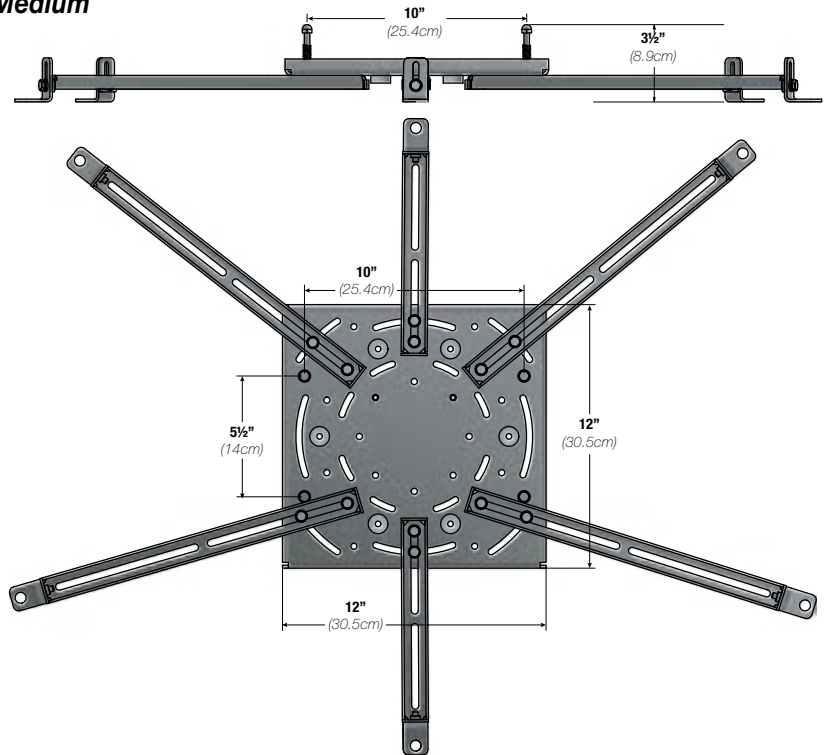
	A	B	C
Small	7½"	7½"	9"
Large	9"	9"	12"

Optional Universal Projector Mount

Small



Medium



Wiring Diagrams

