

Product Overview



RS-485 Terminal Block



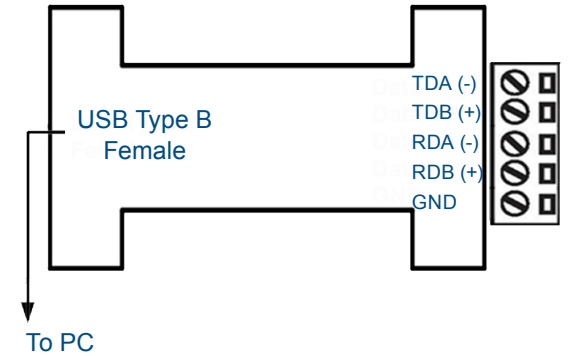
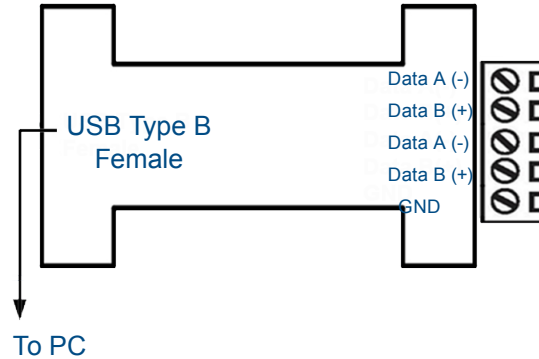
USB Type B Female (high retention)

2 | Connect the Converter

Connect the converter's USB port to a USB port on your computer or USB hub.

Connect the converter's USB port to a USB port on your computer or USB hub.

When the installation is complete the converter will appear in Windows Device Manager as an additional COM port.

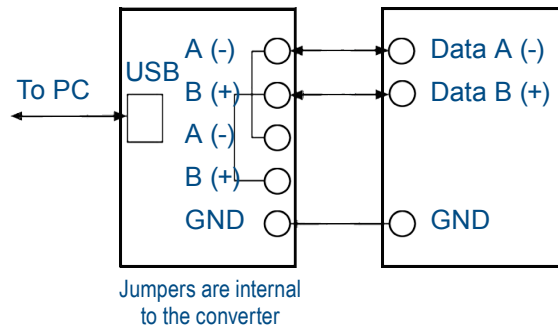


1 | Install the Drivers

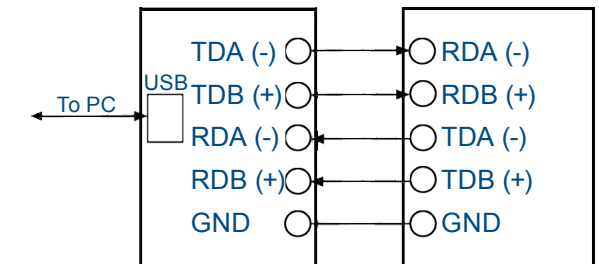
Install the driver.

When the installation is complete, the converter will appear in Windows Device Manager as an additional COM port.

Model 485USBTB-2W (-LS)
RS-485 2-Wire Device



Model 485USBTB-4W (-LS)
RS-485 4-Wire Device



3 | Troubleshooting

The 485USBTB-2W cannot be used as an RS-422 device or as 4-Wire RS-485.

One USB port is required for each installed device. The USB port can be native to the PC or it can be a USB port on a USB hub that is connected to a PC.

The device works with USB 1.1 or 2.0 ports. But, it has a maximum USB data rate of 12 Mbps.

To verify the installation, you may open the Windows Device Manager.

Scroll down to Ports.

Expand the flyout window.

You should see the new ports. If there are no exclamation points or other trouble indicators, the ports are installed correctly and ready for use.

Serialized - Every unit is assigned a unique COM port and the install process is required for every unit. Ideal application: fixed locations.

-LS (Locked Serial Number) - Same type model numbers share the same COM port and require only one install process for each model type. Ideal application: field service.

When ordering Locked Serial Number versions, add an -LS to those models.

Recommended Accessories

USB Cable, 3 ft.
USBAMB-3F



4-Port Industrial USB Hub
UH-104



QUICK START GUIDE



**485USBTB-2W, 485USBTB-2W-LS,
485USBTB-4W, 485USBTB-4W-LS**

USB to RS-485 Mini-Converter

**Before you begin, be
sure you have the following:**

- + 485USBTB-2W, 485USBTB-2W-LS, 485USBTB-4W or 485USBTB-24W-LS
- + CD ROM with Drivers (included)
- + USB Cable (not included)

B+B SMARTWORX

Powered by

ADVANTECH

1-888-948-2248 | Europe: +353 91 792444

advantech-bb.com

707 Dayton Road | PO Box 1040 | Ottawa, IL 61350

Phone: 815-433-5100 | Fax: 815-433-5109

www.advantech-bb.com | E-mail: support@advantech-bb.com

B+B SMARTWORX

Powered by

ADVANTECH

Fast and easy on the web: www.advantech-bb.com