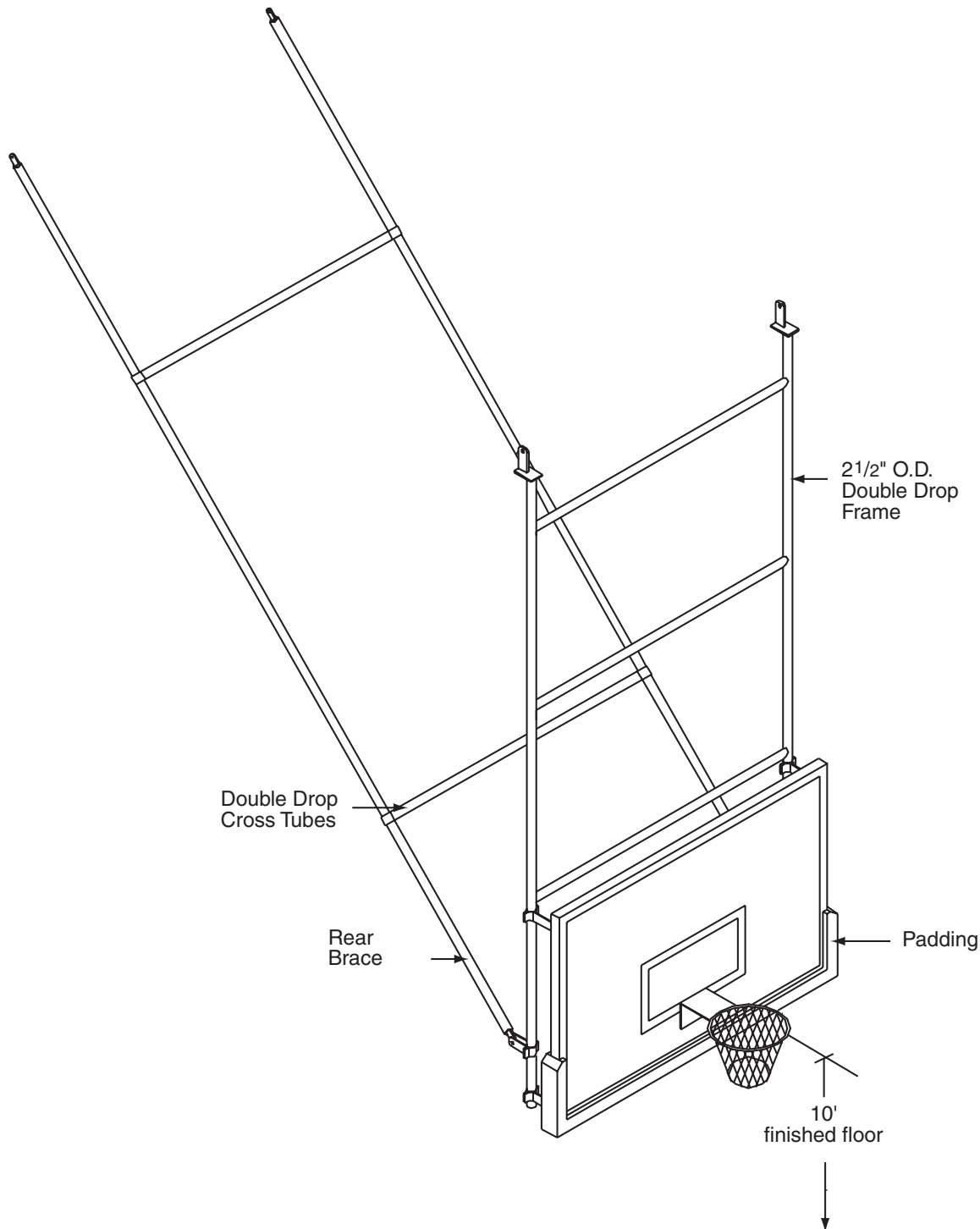


# EZ Fold<sup>®</sup> DDTS-21

*Basketball Backstop—Dual  
Post, Ceiling Suspended,  
Stationary, Rear Braced*

by **DRAPER**



**DRAPER**

411 S. Pearl St., Spiceland, IN 47385 USA ■ 765-987-7999 ■ fax 765-987-7142  
e-mail draper@draperinc.com ■ www.draperinc.com

Copyright © 2004 Draper Inc. Form EZ-DDTS-21\_Sub04 Printed in U.S.A.

PROJECT: \_\_\_\_\_

ARCHITECT: \_\_\_\_\_

CONTRACTOR: \_\_\_\_\_

SUPPLIER: \_\_\_\_\_

DATE: \_\_\_\_\_ REVISED: \_\_\_\_\_

# EZ Fold® DDTS-21

**Basketball Backstop—Dual  
Post Ceiling Suspended,  
Stationary, Rear Braced**

page 2 of 2

## **Specifications—EZ-Fold DDTS-21**

*Dual Post, Ceiling Suspended, Stationary, Rear Braced  
Basketball Backstop*

### *Product Description*

\_\_\_\_\_ Backstops shall be EZ FOLD Model DDTS-21, Ceiling-suspended, Double-Drop, Stationary, by Draper, Inc., of Spiceland, Ind.

The main backstop frame shall consist of 2½" O.D. drop pipes spaced on 5'9" centers, allowing view of pipes to be obscured by vertical perimeter markings on rectangular glass banks. Frame will be braced horizontally above the bank, using 2½" O.D. spreaders spaced on approximately 4' centers. All vertical and horizontal pipe connection points shall be die cut and welded, providing maximum strength and vibration resistance. Steel bank attachment fittings shall meet NCAA and NFSHSA regulations of 6" from frame front to backboard face.

The EZ-Fold Model DDTS-21 shall be suspended using 2⅜" steel plate hangers. Support hangers will be offset 2" from frame center, properly weighting the unit to lock it in playing position.

The rear braces shall be constructed of 2½" O.D. 13-gauge steel tubing. The backstop shall be supported from 4" O.D. 11-gauge steel mechanical tubing anchored to roof structure using heavy steel support hangers.

Backstop shall have a black or white powder coat finish. Other colors optionally available: contact Draper for details.

### *Options*

Backstop can be provided with any of several different styles of backboards, goals and padding. Specify types desired. See separate sheets.

Front brace can be provided in lieu of rear brace. Please specify.

### *Accessories*

#### **Height Adjusters (see separate sheets):**

**503093**— For motorized 8'-10' height adjustment of rectangular bank.

**503097**— For motorized 8'-10' height adjustment of fan bank.

**503095**— For motorized 8'-10' height adjustment of rectangular bank with wireless remote control.

**503098**— For motorized 8'-10' height adjustment of fan bank with wireless remote control.

**503096**— For motorized 8'-10' height adjustment of rectangular bank with EZ Stick Power Wand.

**503099**— For motorized 8'-10' height adjustment of fan bank with EZ Stick Power Wand.

**503092**— For manual 8'-10' height adjustment of rectangular backboards.

**503094**— For manual 8'-10' height adjustment of fan backboards.

**A0490—Portable Operator**—To operate manual winch with heavy-duty electric drill. For complete specifications, see separate sheet.