

Manual Height Adjuster

Manual 8'-10' Height Adjuster
for Basketball Backboards

by DRAPER

Specifications—Direct Mount 8'-10' Manual Height Adjuster

For manual 8'-10' height adjustment for rectangular or fan shaped backboards and goals, featuring a direct goal attachment, specify (503092/503094). The manual height adjuster is designed to mount to virtually any style of backstop structure. Most Draper backboards have a Lifetime Limited Warranty when used with the manual height adjuster. Height adjuster includes a self-adhesive height scale that is graduated in 1" increments and labeled at 6" intervals. Height scale applied after installation to insure accuracy.

The manual height adjuster is crank operated and actuated via a 3/4"-6 Acme threaded rod. The manual height adjuster is built with a main frame-assembly constructed of 2" x 2 1/2" x 1/4" steel angle and 1/4" thick flat steel. Slip tubes consist of 2 5/8" O.D. outer tubes and 2 1/4" O.D. inner tubes. The manual height adjuster frame assembly is jig welded and factory assembled to insure precise alignment and smooth operation.

Height adjuster features adjustable nylon guide bolts to allow user to minimize movement between slip tubes.

The height adjuster's actuator rod assembly is bolted in place and easily removed for conversion to electric operation.

503092—For manual 8'-10' height adjustment of rectangular backboards.

503094—For manual 8'-10' height adjustment of fan backboards.

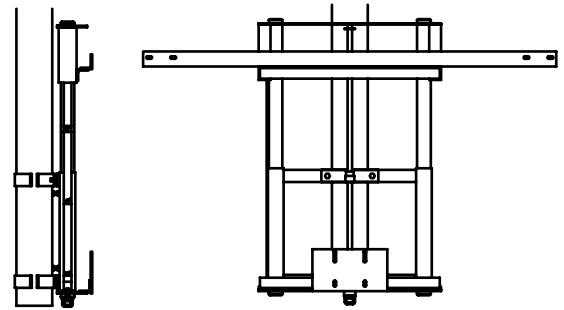
Please Mark Appropriate Selections

Select Backboard Mounting Style

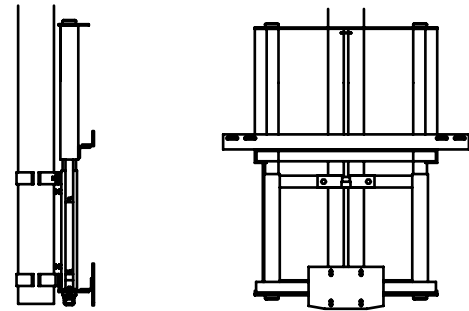
- Fan
 - Glass
 - Fiberglass
 - Aluminum
- Rectangular
 - 42" Glass
 - 42" Wood/Fiberglass
 - 48" Glass
 - 48" Wood/Fiberglass

Select Height Adjuster Mounting Style

- Mount Height Adjuster on Backstop
 - T-Stem Backstop
 - Wall-Mounted Backstop
 - Double Drop Backstop
- Mount Height Adjuster on Wall



Rectangular Bank
Manual Height Adjuster



Fan Bank Manual
Height Adjuster

Please Note: 8'-10' unit is shown mounted to 6" O.D. stem. Unit can be mounted on any style backstop, or the wall. The goal mounts to the unit through the backboard and into the goal mounting plate, thus placing less strain on the backboard.

DRAPER

PROJECT: _____

ARCHITECT: _____

CONTRACTOR: _____

SUPPLIER: _____

DATE: _____ REVISED: _____