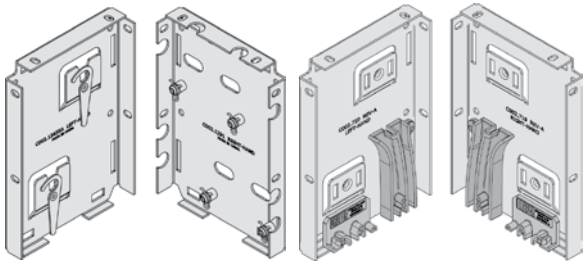


DUAL ROLLER FlexShade® Hardware Overview

DUAL ROLLER ENDCAPS



Standard mounting hardware for dual roller shades. For use as stand-alone hardware option or compatible with Dual Fascia and Dual Pocket Headboxes. 4 3/4" by 7" high. Wall, ceiling, or jamb mount. Decorative plastic endcap covers included.

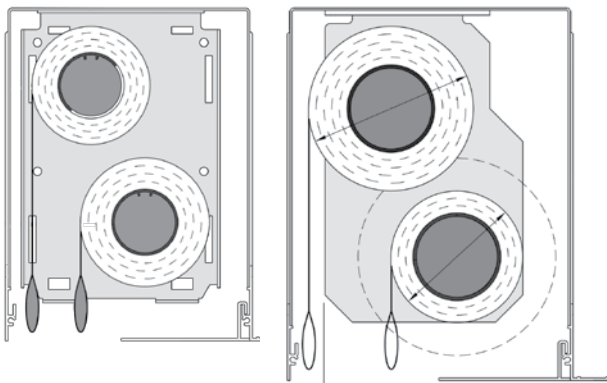
DUAL ROLLER FASCIA



L-shaped, snap-on aluminum fascia for use with Dual Roller Endcaps. 7" high profile. No exposed fasteners.

Five standard colors in slightly textured finish. Smooth/glossy finish available at no extra cost, though subject to extended lead times. Custom colors available at upcharge. Fabric wrapped available at upcharge.

DUAL ROLLER POCKET HEADBOXES



Standard

Large

Recessed headbox for two shades vertically stacked. Bent steel headbox is available with or without tile lip. Finish is white inside/gray outside or gray inside/white outside. Uses 3" closure panel. 147" stock length cut to size by Draper.

Standard size is 5 3/4" deep by 7 3/4" high for use with all manual shades and most motorized shades. Dual Roller Endcaps are used for mounting within this size.

Large 6 1/2" deep by 8 1/2" high dual roller headbox available for larger motorized shades. Ceiling brackets are used for mounting with this size.