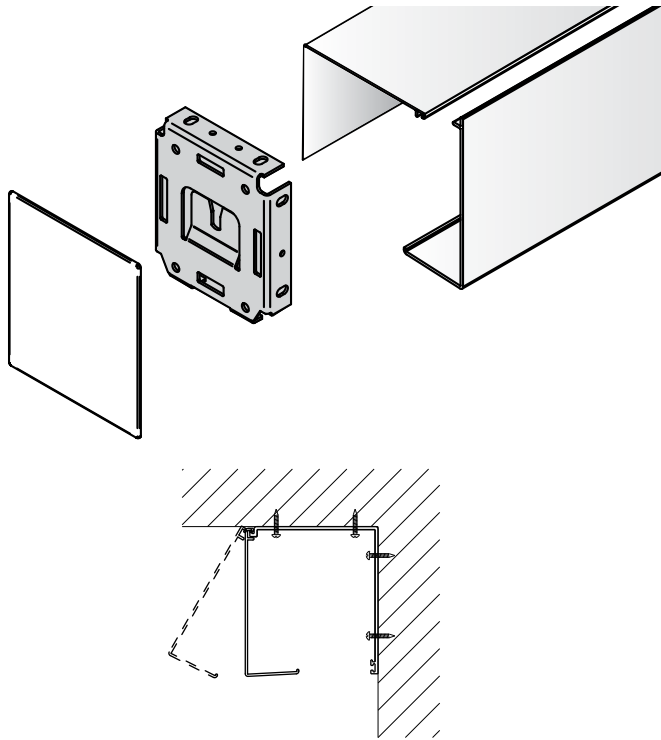


SURFACE MOUNTED FlexShade® Hardware Overview

CEILING / WALL HEADBOXES



Endcaps with fascia and L-shaped top/back cover. Available in small or large sizes. Stock length 195".

Sizes: Small 3-¹⁵/₁₆" x 3-⁷/₁₆", Large 4-¹¹/₁₆" x 4-¹¹/₁₆".

Five standard colors in slightly textured finish. Smooth/glossy finish available at no extra cost, though subject to extended lead times. Custom colors available at upcharge. Optional styles and finishes may increase lead times.

FASCIA AND ENDCAPS



Bronze Ivory White Clear Anodized Black

Available in small or large sizes. For use with mounting endcaps (not brackets). Aluminum, L-shaped, snap-on. No exposed fasteners. Decorative plastic endcap covers included.

Five standard colors in lightly textured finish. Smooth/glossy finish available at no extra cost. Custom colors available at upcharge. Fabric wrapped available at upcharge. Optional styles and finishes may increase lead times.

UNIVERSAL BRACKETS



Manual Large white Small black

White Motor End

Motorized

Black Idler end

Standard mounting hardware for all shades. Available in small or large. Wall, ceiling, or jamb mounting and compatible with Type D pocket headbox. Not compatible with fascia.

On manual products, brackets are powder coated white or black to match selected clutch color. On motorized products, brackets are silver colored. Optional decorative plastic bracket covers are available for motorized brackets. Optional styles and finishes may increase lead times.