

FlexShade® Twin Pull

Convenient child safety option up to 8' wide

Specifications

EQUIPMENT

PULL WAND CLUTCH OPERATOR: Black or white in color. Bi-directional for mounting at right (standard) or left end of roller. Never needs adjusting. 20" or 40" Pull Wands.

HEM BAR: 5 options: Closed Pocket - 1" Elliptical (STANDARD), Open Pocket - 1" Elliptical, Small Flat Exposed Hem Bar, Large Flat Exposed Hem Bar, Round Exposed Hem Bar.

COMPONENTS

ROLLERS: Size 1 1/4" dia. x .030 wall. Extruded aluminum. Roller assembly easily removable.

UNIVERSAL MOUNTING BRACKETS: Plated steel, with adequate projection to clear all window fixtures. Size small only: 1 1/2". Brackets do not require additional adapters. White or black to match clutch color.

Please Note: Dimensions of rollers, operators and hardware at manufacturer's discretion.

Please check all appropriate selections and attach room schedule with verified dimensions.

Fabric Series: _____

Color Name / Number: _____

Openness Factor: _____

Please see Draper's [Fabric Options](#) page for fabric colors and specifications.

Select Mounting Location

- Inside Mount
- Outside Mount

Select Pull Wand Length

- 20"
- 40"

Select Bracket & Clutch Color

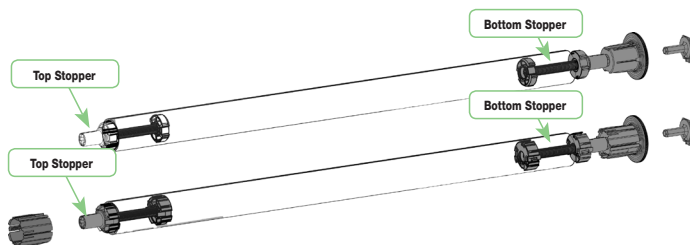
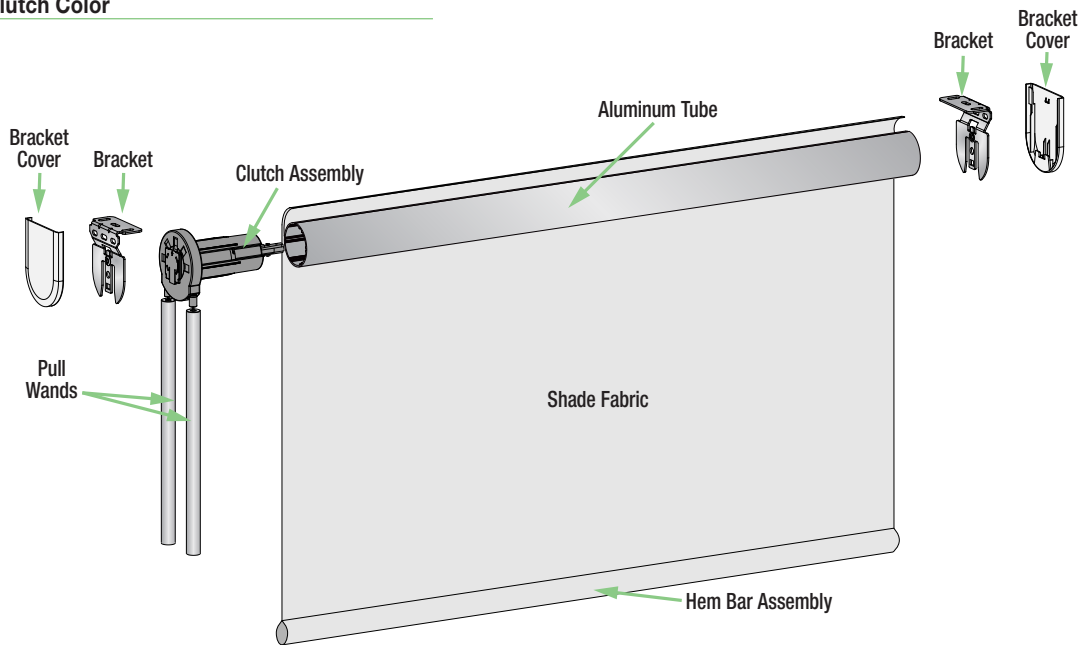
- Black
- White

Select Operator Location

- Right (standard)
- Left

Select Hem Bar Style

- Closed Pocket - 1" Elliptical (STANDARD)
- Open Pocket - 1" Elliptical
- Small Flat Exposed Hem Bar
- Large Flat Exposed Hem Bar
- Round Exposed Hem Bar



PROJECT: _____

ARCHITECT: _____

CONTRACTOR: _____

SUPPLIER: _____

DATE: _____ REVISED: _____



Draper, Inc. | 411 S. Pearl St. Spiceland, IN 47385
draperinc.com | 765.987.7999 | 800.238.7999

© 2019 All Rights Reserved | FORM: FS_Twin_Pull_Sub19