

FlexShade® ZIP XL

XL exterior shading system, ZIP detail creates weather/shading barrier that protects against wind, sun, snow, and insects to maintain a comfortable space



SUBMITTAL TECHNICAL INFO

Please check all appropriate selections and attach room schedule with verified dimensions.

Fabric Series: _____

Color Name / Number: _____

Openness Factor: _____

Please see [Draper® Fabric Options](#) for fabric colors and specifications.

Select Hardware

Select Headbox Style

- Curved
- Angled

Select Headbox Bracket Type

- Wall
- Ceiling

Select Hardware Finish

- Black
- Bronze
- Ivory
- White
- Sand
- Silver

Select Zipper Color

- Black (standard)
- Grey

Select Cable Exit Location

Please Note: For cable exit information, see installation instructions.

- None (standard)
- Top
- Side
- Back

Select Liner Options

- Headbox
- Side Channel

Select Channel Type

- No Channel
- Recessed Channel

Select Channel Adaptors (see P.4)

- C073.002 Qty: _____
- C090.053 Qty: _____
- C090.054 Qty: _____
- C104.148 Qty: _____

Select Operator and Controls

Select Motor Location (front view)

- Right (standard)
- Left

Select 120V AC Operator

- Sonesse® RTS (standard)
- Sonesse® 120V Motor
Sonesse® is a registered trademark of Somfy® Systems, Inc.

Select Interior Control Options

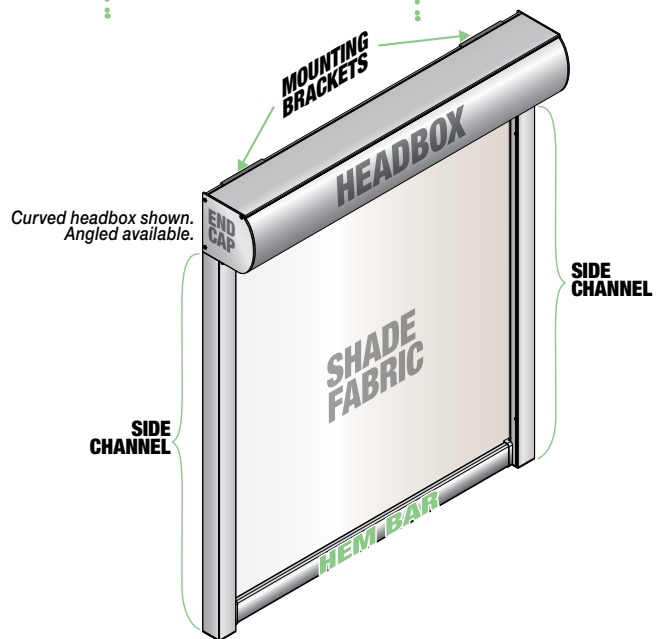
- RTS
- Wireless Wall Switch
 - Decora RTS 1-Channel
 - White (standard)
 - Ivory
 - Decora RTS 5 Channel
 - White (standard)
 - Ivory

Select Exterior Control Options

- Telis 1 Patio Exterior Remote
- Telis 4 Patio Exterior Remote
- 1 Channel Soliris Patio Remote
- 4 Channel Soliris Patio Remote

Select Exterior Sensors

- Ondeis® WireFree Rain/Sun Sensor
Ondeis® is a registered trademark of Somfy® Systems, Inc.
- Sunis Outdoor WireFree Sun Sensor
- Eolis-RTS Wind Sensor
- Soliris-RTS Wind/Sun Sensor



Available Sizes*

		WIDTH											
		4'	6'	8'	10'	12'	14'	16'	18'	20'	22'	24'	25'
		(122cm)	(183cm)	(244cm)	(305cm)	(366cm)	(427cm)	(488cm)	(549cm)	(610cm)	(671cm)	(732cm)	(762cm)
HEIGHT	2'												
	4'												
	6'												
	8'												
	10'												
	12'												
	15'												

* Maximum size will vary according to fabric selection.



Draper, Inc. | 411 S. Pearl St. Spiceland, IN 47385
draperinc.com | 765.987.7999 | 800.238.7999

© 2024 All Rights Reserved | FORM: FS_ZIPXL_Sub24

PROJECT: _____

ARCHITECT: _____

CONTRACTOR: _____

SUPPLIER: _____

DATE: _____ REVISED: _____

Specifications

EXTERIOR MOTORIZED SHADING SYSTEM: Electrically operated, motorized, vertical roll-up, fabric shading system. Assembly includes motor operator, controls, mounting hardware and other components necessary for complete installation.

ELECTRIC OPERATOR: Tubular motor concealed inside shade roller tube.
LOCATION: Right hand: standard; Left hand: as scheduled.

STANDARD MOTOR: Radio Technology Motor: 110-120V AC, single-phase, 60 Hz, instantly reversible, lifetime lubricated motor with built-in radio receiver, equipped with internal thermal overload protector, electric brake, and pre-set accessible limit switches. *(Compatible with Wireless Radio Technology Controls.)*

OPTIONAL WIRED MOTOR: 110-120V AC, single-phase, 60 Hz, instantly reversible, lifetime lubricated, and equipped with internal thermal overload protector, electric brake, and pre-set accessible limit switches.

HEADBOX: Cassette-style extruded aluminum sections.
 5" x 5" (127 mm x 127 mm) by length required for shade being provided.

CRADLE SYSTEM: Extrusion supports entire roller using cradle system to reduce roller deflection.

SHAPE: Angled, Curved.

FINISH: Silver, black, sand, white, ivory, or bronze powder coat.

ROLLER: 2.364 inch (60 mm) outside diameter *(at manufacturer's discretion)*; aluminum. Roller assembly is integrated with floating bracketry.

ROLLER IDLER ASSEMBLY: Plastic idler end roller insert fits over steel pin and rotates on pin with use of sealed bearing. Steel pin connects to bearing mounted to bracket mounted inside the headbox. Systems not using sealed bearings are not acceptable.

FABRIC CONNECTION TO ROLLER TUBE: Fabric panel incorporates pockets at the top and bottom to allow connection to the roller tube and to the hem bar. ZIP detail welded to the two vertical sides of the fabric panel.

HEM BAR: Weighted aluminum. Optional bottom liners.

HEM BAR CONTAINMENT:

SIDE CHANNELS: Extruded aluminum guide cable attachment.

SIZE: 1½" x 1½" (41 mm x 41mm)

FINISH: Silver, black, sand, white, ivory, or bronze powder coat.

ENDCAPS: Aluminum end brackets with integral lugs for mounting of head box to side channels. Provide size compatible with headbox size.

SIDE CHANNELS: Extruded aluminum side channels incorporate plastic inner channels. Plastic inner channels held inside the extrusion by means of cushioning pads that also dampen the movement of the fabric panel under wind load. ZIP detail on the edge of the fabric panel runs inside inner channel to retain the fabric in place.

ZIPPER RETAINER: Gray plastic with funnel at top for fabric guiding, cushions are placed in retainer to reduce movement in channel and adjust for fabric shrink.

CHANNEL COVERS: Injected molded nylon insert to cover bottom of side channels.

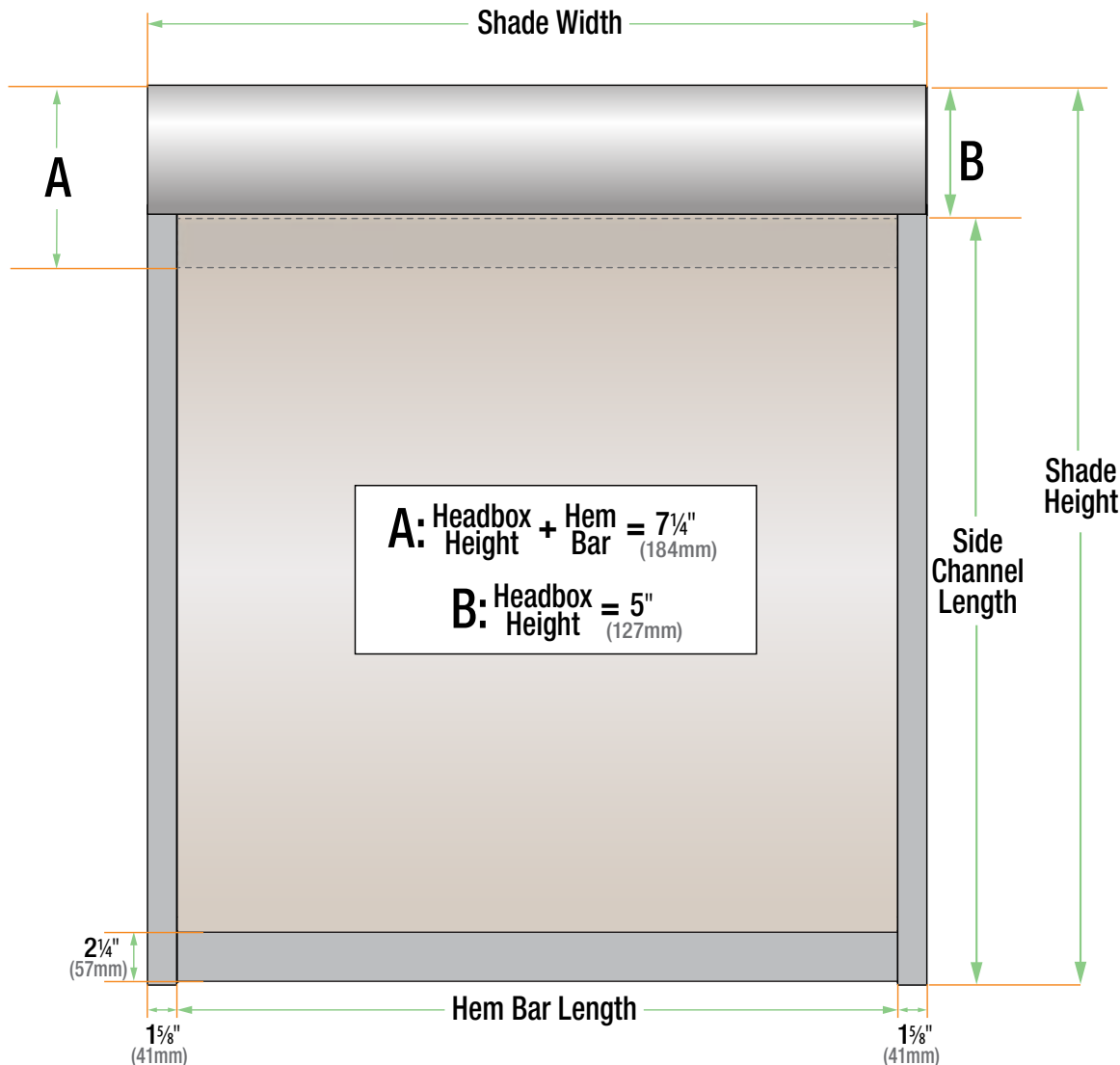
ZIPPER: Zipper is to be heat welded to the edge of the fabric. The zipper prevents the fabric from being pulled out of the side channel, and makes the product very wind resistant.

PATENT INFORMATION: <http://www.draperinc.com/legal/patents>

DOWNLOADABLE 3-PART SPECIFICATIONS: www.draperinc.com.

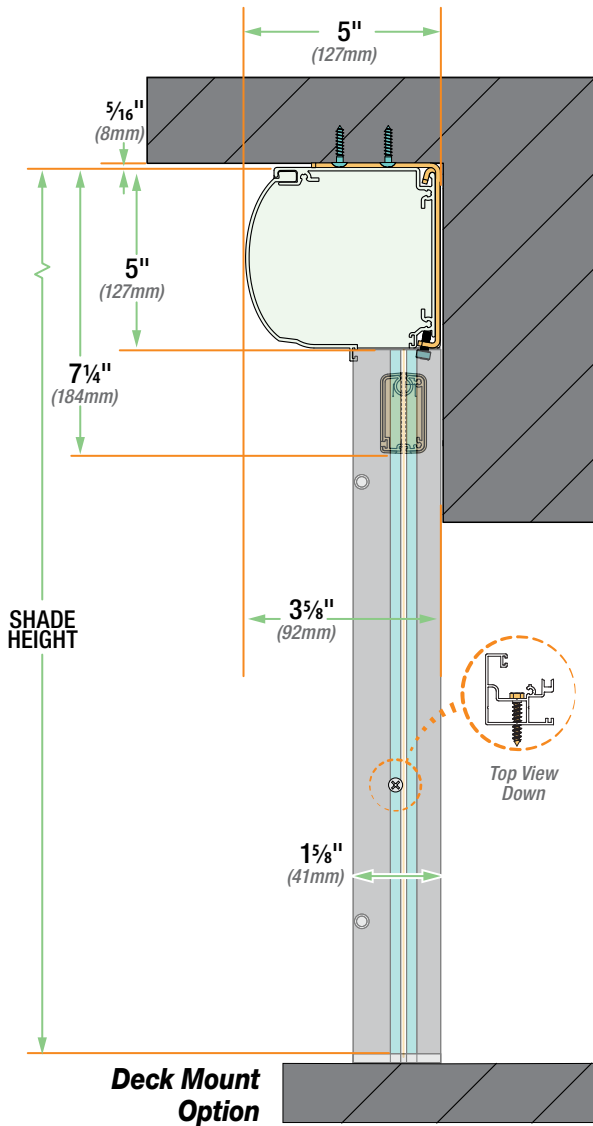
Please note: Dimensions of rollers, operators, and hardware at manufacturer's discretion.

Dimensions

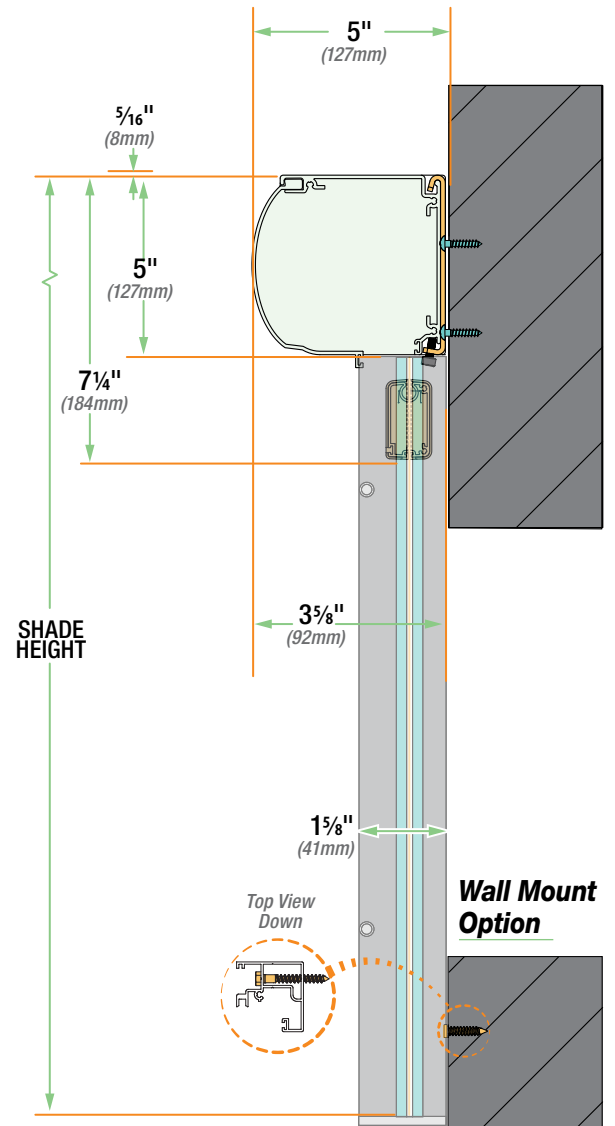


Assembled Dimensions: Side View

Ceiling Mount Option

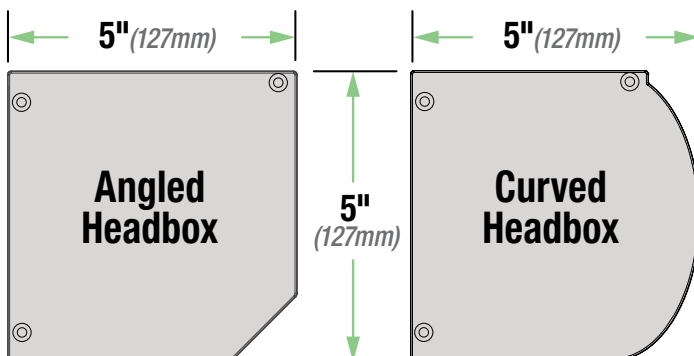


Wall Mount Option

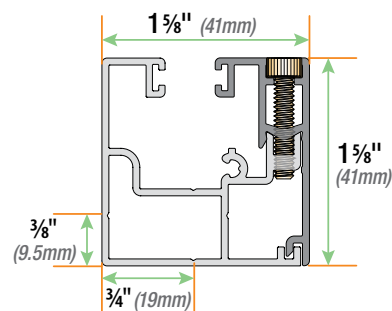


Component Dimensions

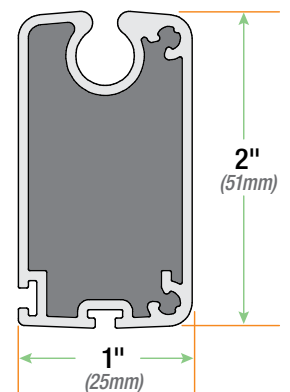
Headbox Dimensions



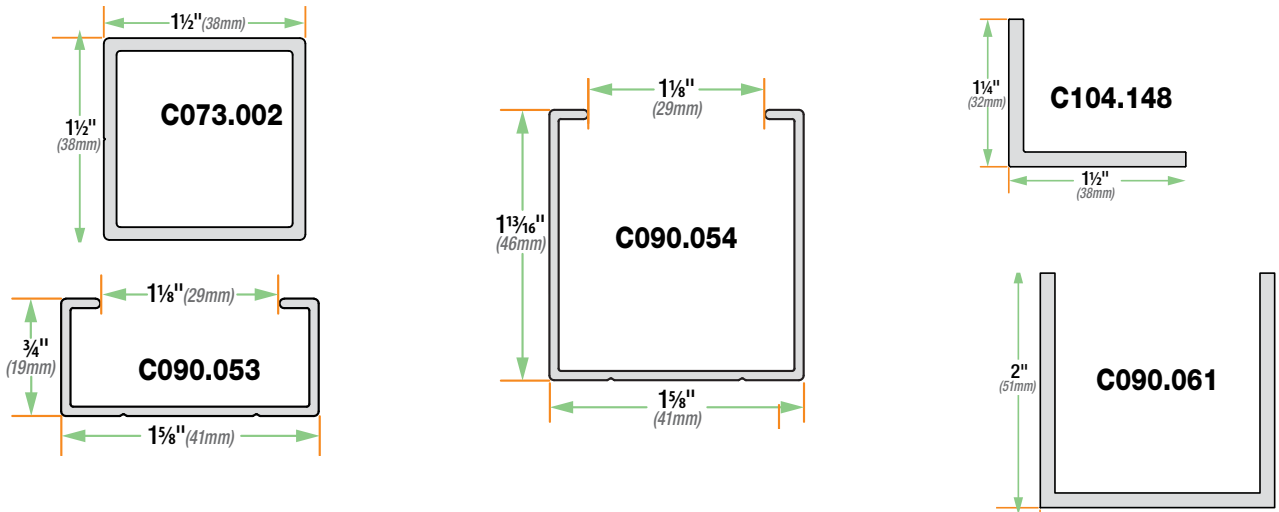
Side Channel Dimensions



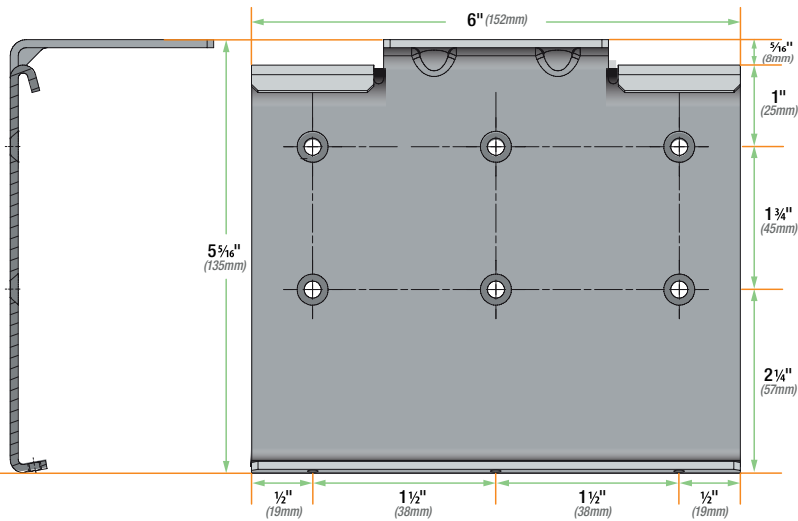
Hem Bar Dimensions



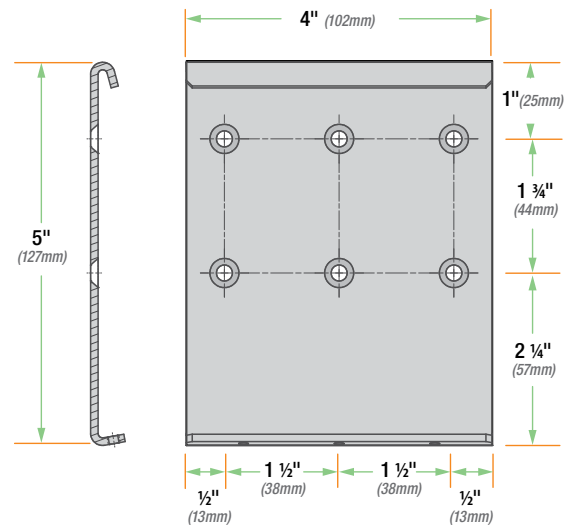
Optional Channel Adaptors



Ceiling Mounting Bracket



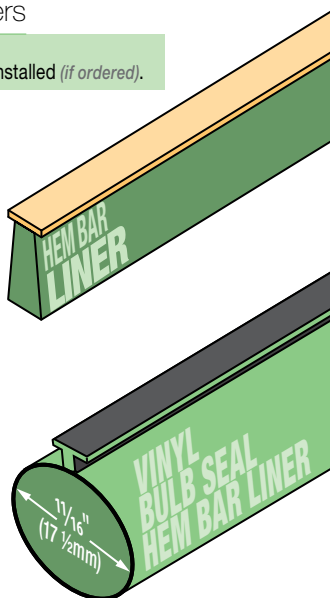
Wall Mounting Bracket



Hem Bar Liners

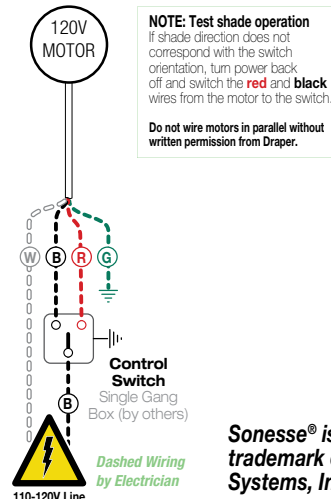
Please Note:
 Liner is factory installed (if ordered).

- C037.002:**
 .140" (3.6mm) height liner
- C037.003:**
 .310" (7.9mm) height liner
- C037.004:**
 .450" (11.4mm) height liner
- C037.015:**
 1" (25mm) height liner
- C037.024:**
 1.5" (38mm) height liner

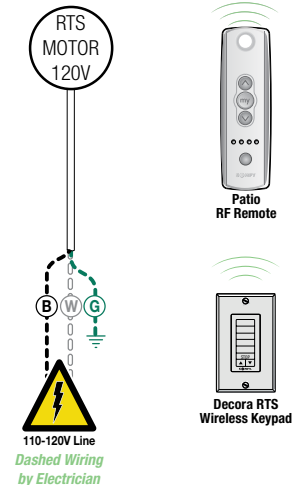


Wiring Diagrams

Controls & System Overview Sonesse® 120VAC Motors



Controls & System Overview Sonesse® RTS 120VAC Motors



Sonesse® is a registered trademark of Somfy® Systems, Inc.