

# FlexStyle® Cassette Motorized I/O AC

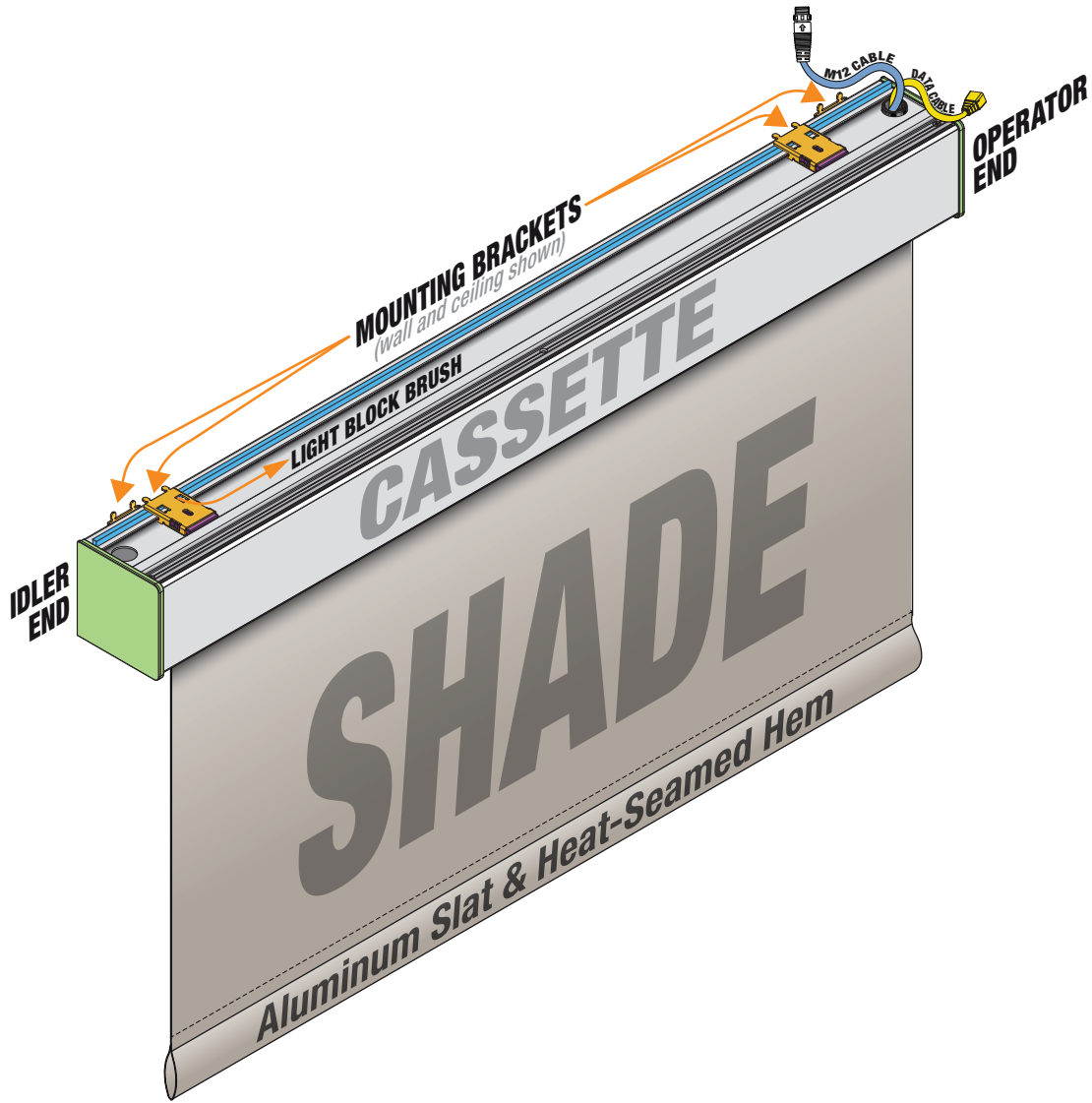
Motorized window shade with cassette-style case



## INSTRUCTIONS INSTALLATION & OPERATION

### FSTYL CASS MO

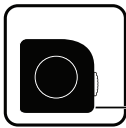
Overview - **Components** (Square Cassette, Elliptical Style Hem Bar shown)



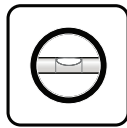
#### TOOLS REQUIRED



PENCIL



TAPE MEASURE



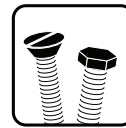
LEVEL



POWER DRILL



PLIERS



HARDWARE (by others)

#### ⚠ CAUTION ⚠

Read and understand all warnings before beginning installation.

#### Contents

Overview - <b>Components</b> .....	1	Section 5 - <b>Cable Exit</b> .....	5
PLEASE READ - <b>Important Safety &amp; Installation Information</b> .....	2	Section 6 - <b>Limit Switch Adjustments</b> .....	6
PLEASE READ - <b>Field Adjustments, Cleaning and Maintenance</b> .....	2	Section 7 - <b>Electrical Connections</b> .....	6
Section 1 - <b>Installing Mounting Brackets</b> .....	3	Section 8 - <b>Wiring Diagrams</b> .....	7
Section 2 - <b>Wall Mounting Shade</b> .....	4	Section 9 - <b>Cassette Dimensions</b> .....	8
Section 3 - <b>Ceiling Mounting Shade</b> .....	4	Section 10 - <b>Shade Dimensions</b> .....	8
Section 4 - <b>Electrical Connections</b> .....	5		

If you have any difficulties installing or servicing your Motorized FlexStyle Cassette, call your dealer or Draper, Inc.



Draper, Inc. | 411 S. Pearl St. Spiceland, IN 47385  
draperinc.com | 765.987.7999 | 800.238.7999

© 2024 All Rights Reserved | FORM: FlexStyle\_Cassette\_MO\_IO\_Inst24

## PLEASE READ - Important Installation Information

### ⚠ Caution:

1. Inspect all boxes to make sure you have received the proper shades and parts. Controls may be shipped separately, or in same carton as shades.
2. Open cartons lengthwise, taking care not to cut into cardboard shipping container.
3. Before mounting shades, verify measurements on label provided with shade, and ensure unit is installed at correct width.
4. All hardware must be installed level. Shades must be level and square.
5. **Read the following installation guidelines thoroughly and follow them carefully. Failure to do so may cause product to fall or otherwise fail, and invalidates warranty.**
6. **Installer is responsible for selecting mounting hardware appropriate for site conditions.**

## PLEASE READ - Safety Information

### Important Safety Information



### Important Safety Information

**Improper installation and use of the Motorized FlexStyle® Cassette can result in serious injury or death. Primarily, injuries can occur if the unit falls due to imprecise installation, mishandling of the unit during installation, or installation on an insufficient wall or ceiling structure. Please use extreme care.**

1. Please read the following installation guidelines thoroughly and follow them carefully. Failure to do so may cause product to fall or otherwise fail, and could result in serious injury.
2. Installation and calibration of the unit should only be performed by an authorized, qualified, and experienced professional. In particular, electrical work and wiring [indicated in diagram by dashed lines] must be completed only by a qualified professional electrician who has read this manual completely and is familiar with the construction and operation of this equipment and the hazards involved.
3. Do not affix the unit to wall or ceilings that have inadequate strength to permanently hold the unit during use. It is the owner's and installer's responsibility to confirm the wall or ceiling to which the unit attaches is sufficient to permanently hold the weight and stress loads of the unit at all times. Draper®, Inc., is not responsible for improper installation, application, testing, or workmanship related to the product at place of installation.
4. It is the installer's responsibility to make sure appropriate fasteners are used for mounting.
5. All hardware must be installed level. Unit must be level and square.
6. Never leave the area while operating the unit during installation, maintenance, or normal operation, unless it is secure and safe.
7. Before testing or operation, carefully inspect the entire area and path of the shade and areas underneath the shade to be sure no persons or objects are in the area.
8. Turn off power and any nearby equipment or cables carrying electricity before connecting switches, wires, controls, or electrical components.
9. Make sure the limit switches are pointed down or accessible when placing the motor in brackets.
10. All motors should be tested and limits set using test cord before shades are wired.
11. Do not wire motors in parallel without written permission from Draper, Inc.
12. During testing or operation, carefully watch the surrounding area for any potential safety concerns including nearby persons or objects.
13. Do not use an extension cord. If the power supply cord is too short, have a qualified electrician install an outlet near the drapery operator.
14. After installation, the entire system, including all sensors, should be carefully tested to ensure safe and normal operation. Extreme care should be taken during testing to remain clear of moving parts to avoid possible injury.
15. Operation of unit should be performed only by authorized and qualified personnel, who have been trained in the safe and effective operation of the unit and understand its safety features.
16. The safety features of the unit, including sensors, should never be disabled, bypassed, or overridden. The system should not be operated until all safety features, including the sensors, are properly and completely installed, calibrated, and tested.
17. Unit may need to comply with local, state, or district rules and regulations, in particular when installed in schools. All applicable rules and regulations should be reviewed before installation and use.
18. Failure to precisely follow installation guidelines invalidates all warranties.
19. Custom products/installations may not be reflected in this manual. Call Draper, Inc., if you have questions about the installation of custom products or any questions about your installation.

#### Before Beginning Installation

1. Look for any job site conditions that could interfere with installation or operation of the system.
2. Read carefully and be sure to understand all installation instructions and all related operations manuals. These instructions are intended to serve as a guide for the installer and owner. They should be followed closely and combined with the expertise of experienced qualified installers. Draper, Inc., is not responsible for improper installation, application, testing, or workmanship related to the product at place of installation. Please retain all instructions for future use.
3. Open cartons lengthwise.
4. Locate and lay out all pieces.
5. Inspect all boxes to make sure you have received the proper shade and parts. Controls may be shipped separately, or in same carton as shade.
6. If you have any difficulties with installing, servicing, or operating your shade, call your dealer or Draper, Inc., 765-987-7999.

## PLEASE READ - Field Adjustments

Each Draper Shade is tested to ensure proper operation. Even with this testing, some field adjustments may be needed for telescoping.

If the shade is telescoping, place a piece of shimming fabric into the fabric roll when the shade is deployed on the side that the fabric will be drawn toward. For example: if the fabric is tracking to the left, place the shimming fabric on the right side.

## PLEASE READ - Cleaning and Maintenance

Window covering products manufactured by Draper, when properly installed, should require no operational maintenance or lubrication.

Most standard Draper fabrics may be cleaned at the window by vacuuming with a soft brush attachment. They also may be cleaned by using a sponge or soft cloth and mild solution of warm soapy water. A mild dishwashing liquid is recommended. A clean dry cloth is recommended for the metal finish.

**Please Note:** Exceptions are GreenScreen Evolve®, GreenScreen Revive®, and Phifer® SW7000 fabrics, which must be cleaned with a dry art sponge.

*(GreenScreen Revive® and GreenScreen Evolve® are registered trademarks of Mermet® USA. SheerWeave® is a registered trademark of Phifer® Incorporated.)*

## Section 1 - Installing Mounting Brackets

**IMPORTANT:** Mounting Brackets must be installed parallel, plumb, and square, with a tolerance of +/- 1/8" (3mm). Verify unit measurements and ensure unit will fit in the desired location.

**Please Note:** Installer is responsible for selecting mounting hardware appropriate for site conditions.

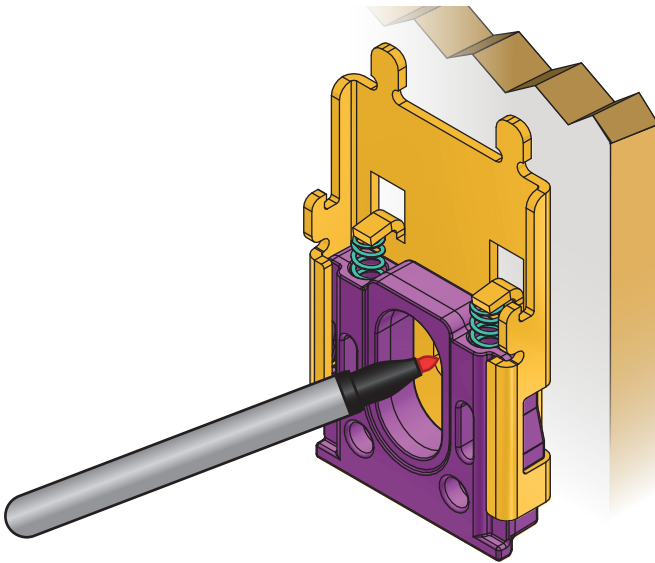
1. Mark wall, jamb, or ceiling for placement of mounting brackets. (*Idler Bracket shown.*)

**Please Note:**

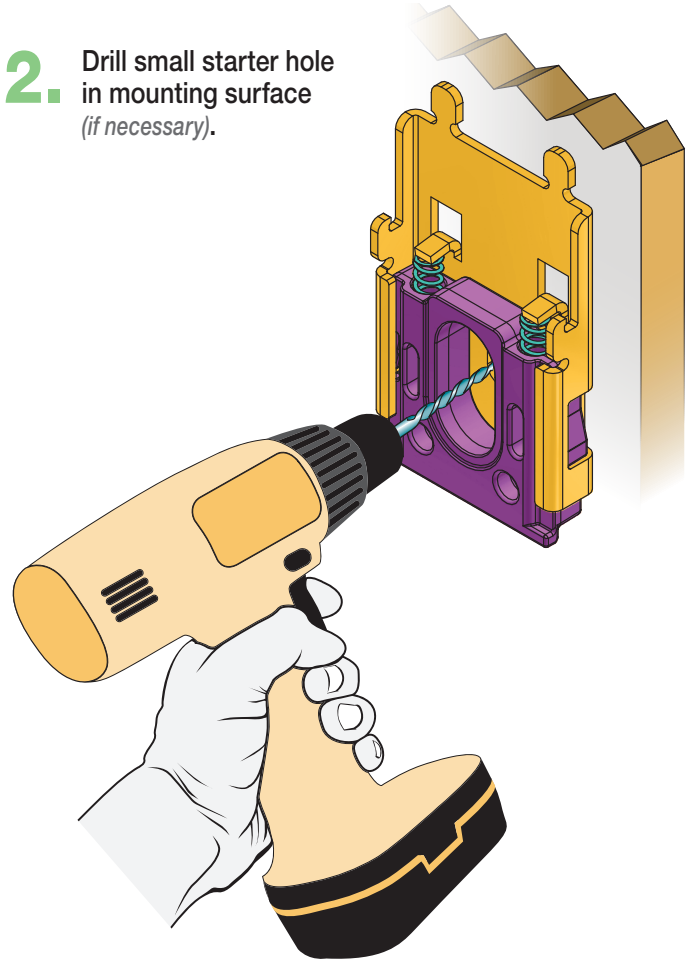
Brackets should be installed far enough from the ceiling (*wall mount*) or wall (*ceiling mount*) that the tabs on top of the brackets fit. Tabs may then be removed (*if desired*).

**Please Note:**

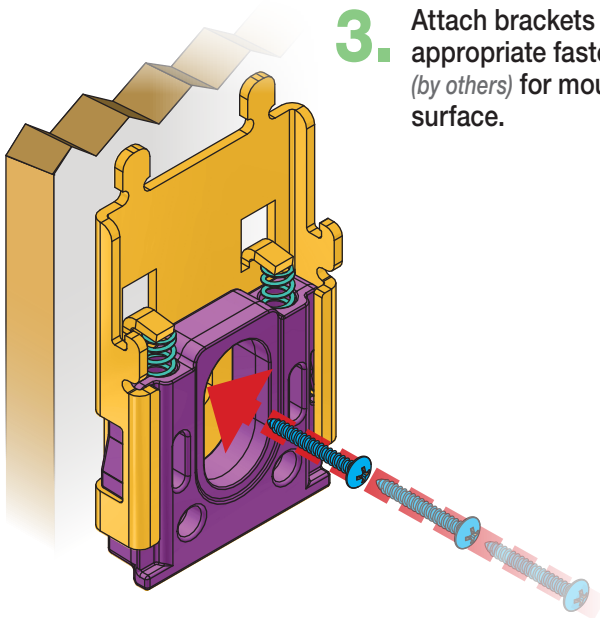
Brackets should be installed no more than 5" (127mm) in from ends of Cassette Assembly. If provided, center bracket should be mounted in center of the case.



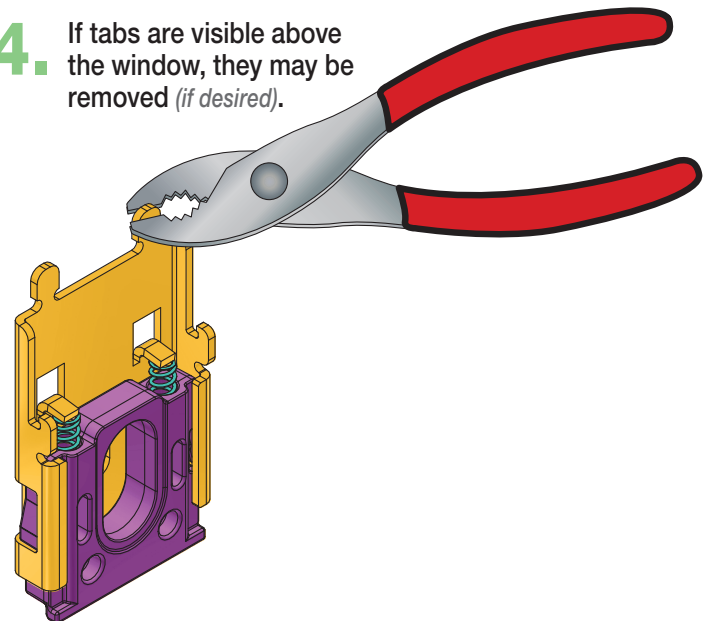
2. Drill small starter hole in mounting surface (*if necessary*).



3. Attach brackets using appropriate fasteners (*by others*) for mounting surface.



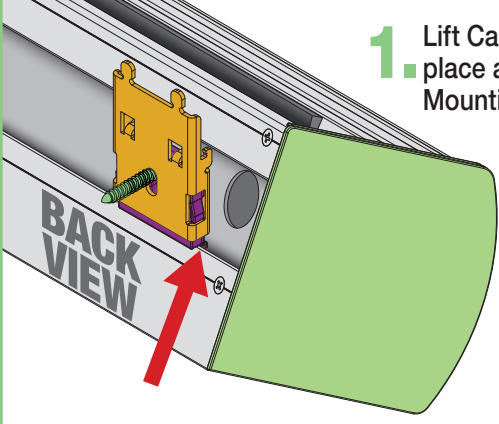
4. If tabs are visible above the window, they may be removed (*if desired*).



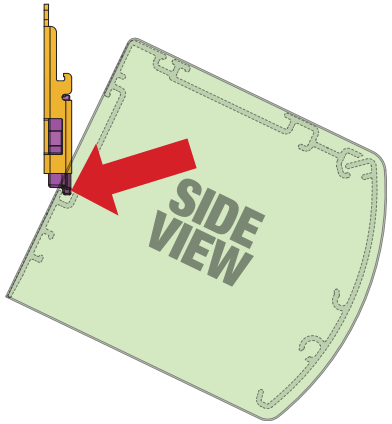
## Section 2 - Wall Mounting Shade (Curved Cassette with open bottom shown)

**Please Note:** Brackets should be installed no more than 5" (127mm) in from ends of Cassette Assembly. Install any remaining brackets evenly between the outermost brackets.

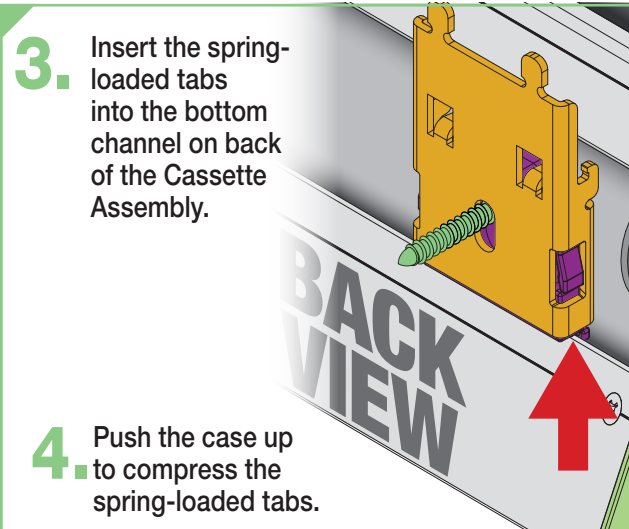
**1.** Lift Cassette Assembly into place and align between the Mounting Brackets.



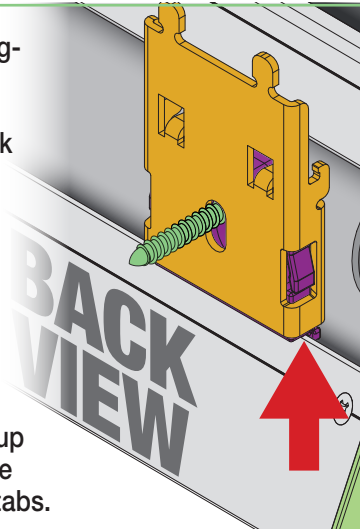
**2.** Tilt Cassette forward and depress spring-loaded tabs on the Mounting Brackets by pushing up with the bottom of the channel on back of the Cassette Assembly.



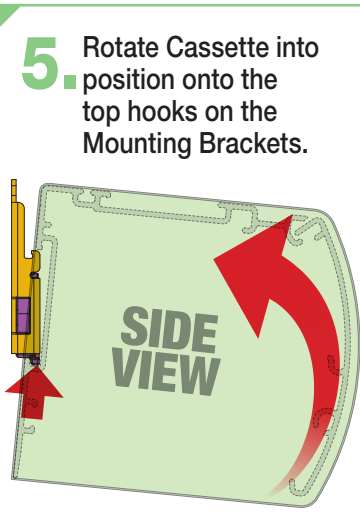
**3.** Insert the spring-loaded tabs into the bottom channel on back of the Cassette Assembly.



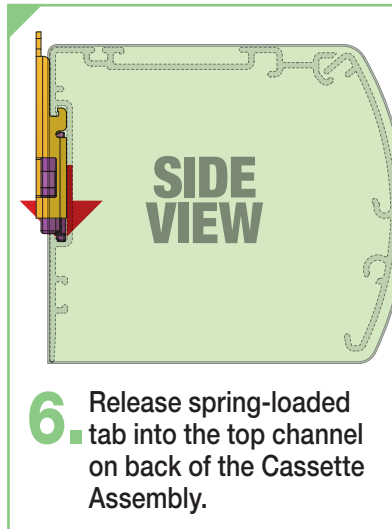
**4.** Push the case up to compress the spring-loaded tabs.



**5.** Rotate Cassette into position onto the top hooks on the Mounting Brackets.



**6.** Release spring-loaded tab into the top channel on back of the Cassette Assembly.

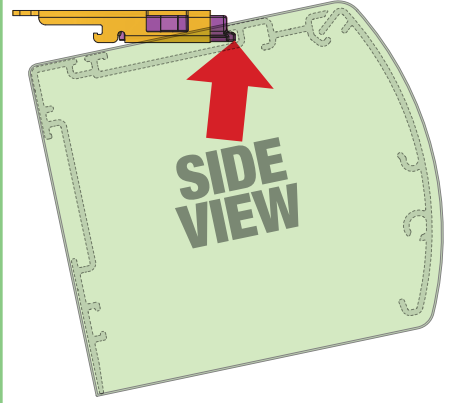


## Section 3 - Ceiling Mounting Shade (Curved Cassette with open bottom shown)

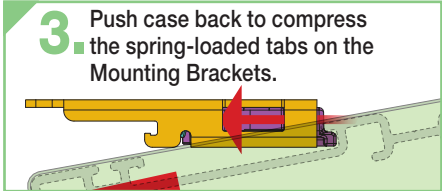
**Please Note:** Brackets should be installed no more than 5" (127mm) in from ends of Cassette Assembly. Install any remaining brackets evenly between the outermost brackets.

**1.** Lift Cassette Assembly into place and align between the Mounting Brackets.

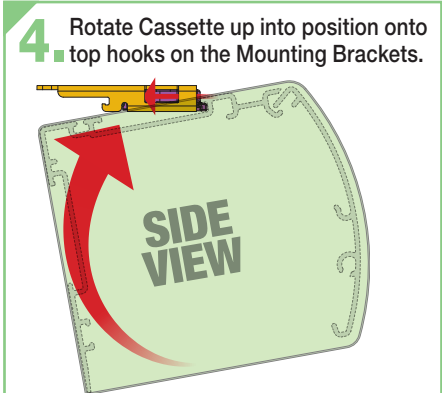
**2.** Tilt Cassette up and insert the spring-loaded tabs into the top channel on the Cassette Assembly.



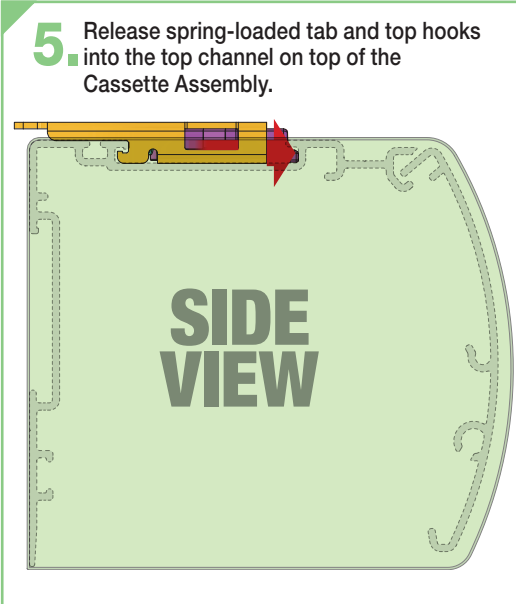
**3.** Push case back to compress the spring-loaded tabs on the Mounting Brackets.



**4.** Rotate Cassette up into position onto top hooks on the Mounting Brackets.



**5.** Release spring-loaded tab and top hooks into the top channel on top of the Cassette Assembly.



## Section 4 - Electrical Connections

Shade operates on 110-120V, 60 Hz. current. Shade is shipped with internal wiring complete and control switch(es) fully boxed, and standardly supplied with a 6' (1.82m) cable lead. Wire to connect shade to switch(es), and switch(es) to power supply, should be furnished by installer. Connections should be made in accordance with attached wiring diagram, and wiring should comply with national and local electrical codes.

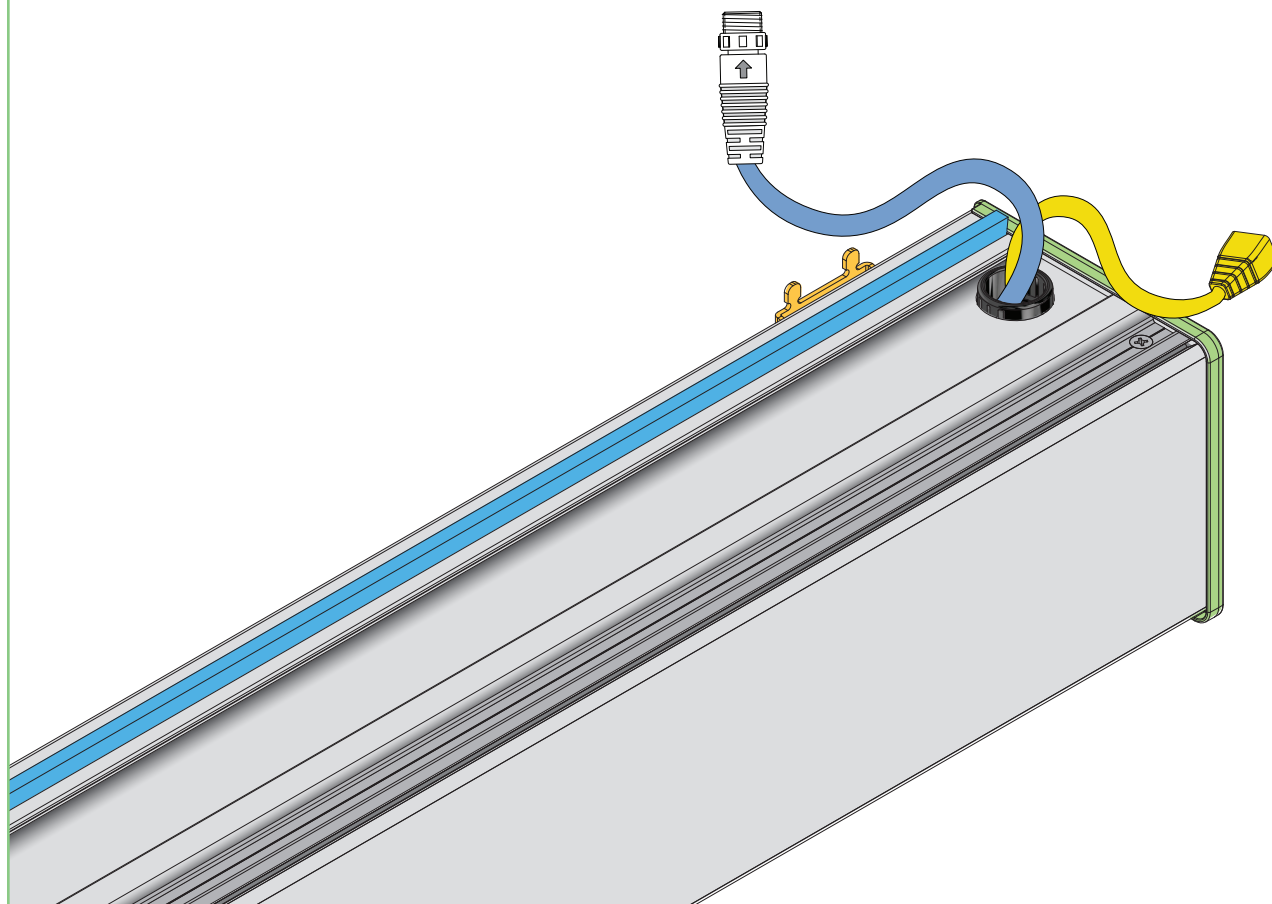
⚠ **Caution:** DO NOT wire motors in parallel without written permission from Draper.

⚠ **Caution:** All operating switches should be "off" before power is connected.

**Please Note:** For low-voltage wiring requirements, Draper recommends consulting with a professional low-voltage electrical contractor. It is very important that shielded and stranded CAT 5 cable be used to prevent any electrical interference.

## Section 5 - Cable Exit

Shade comes with a cable exit pre-drilled in the top or back of the Headbox, as ordered. Use supplied cable grommet to protect cable.



## Section 6 - Limit Switch Adjustments

### Standard and Quiet Motors

#### Push Button Limits

1. Fully depress both limit switch push buttons, then operate wall switch to make sure system works properly.
2. Raise shade to desired “up” stop position.
3. Set upper limit by depressing proper (*back*) push button.
4. Lower shade to desired “down” stop position.
5. Set lower limit by depressing proper (*front*) push button.

#### Screw-Type Limits

1. Determine which direction of fabric travel corresponds with arrows on motor.
2. Operate shade to desired “down” stop position. Set limit by turning proper socket toward + to lower limit, and - to raise it.
3. Operate shade to desired “up” stopping position. Set limit by turning proper screw toward - to raise limit, and + to lower it.

#### Limit Switch Adjustments:

##### RS485 Motors:

See limit setting instructions packaged with the RS485 Address/Limit Setting Tool (part# C156.241).

##### RTS Motors:

See Radio Frequency Remote Control Programming Instructions (FS\_MO\_RFRC\_ProgInst).

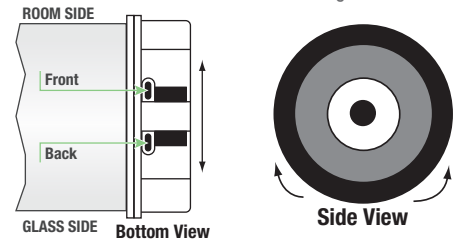
##### IntelliFlex I/O Motors:

See limit setting instructions packaged with the Motor Limit Setting Tool (part# C202.030).

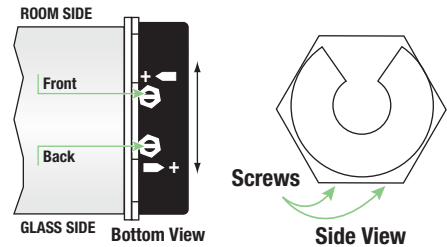
#### ⚠ Caution:

- Be sure all switches are in “off” position before adjusting limit switches.
- Be prepared to shut off manually while testing.
- Shade may be damaged by running shade fabric down too far to expose roller.
- If using a group control system, each limit switch must be set prior to connecting to system.
- Motor must be installed so limit switches are pointed down.

### PUSH BUTTON LIMITS Standard right-hand motor configuration shown



### SCREW-TYPE LIMITS Standard right-hand motor configuration shown



## Section 7 - Electrical Connections

Shade operates on 110-120V, 60 Hz. current. Shade is shipped with internal wiring complete and control switch(es) fully boxed, and standardly supplied with a 6' (1.8 m) cable lead. Longer lead can be substituted by removing two screws in motor end of roller, removing lead, plugging new lead in, and replacing screws. Wire to connect shade to switch(es) and switch(es) to power supply should be furnished by installer.

Connections should be made in accordance with attached wiring diagram, and wiring should comply with national and local electrical codes. DO NOT wire motors in parallel without written permission from Draper®.

**All operating switches should be “off” before power is connected.**

**Please Note:** For low-voltage wiring requirements, Draper recommends consulting with a professional low-voltage electrical contractor. It is very important that shielded and stranded CAT 5 cable be used to prevent any electrical interference.

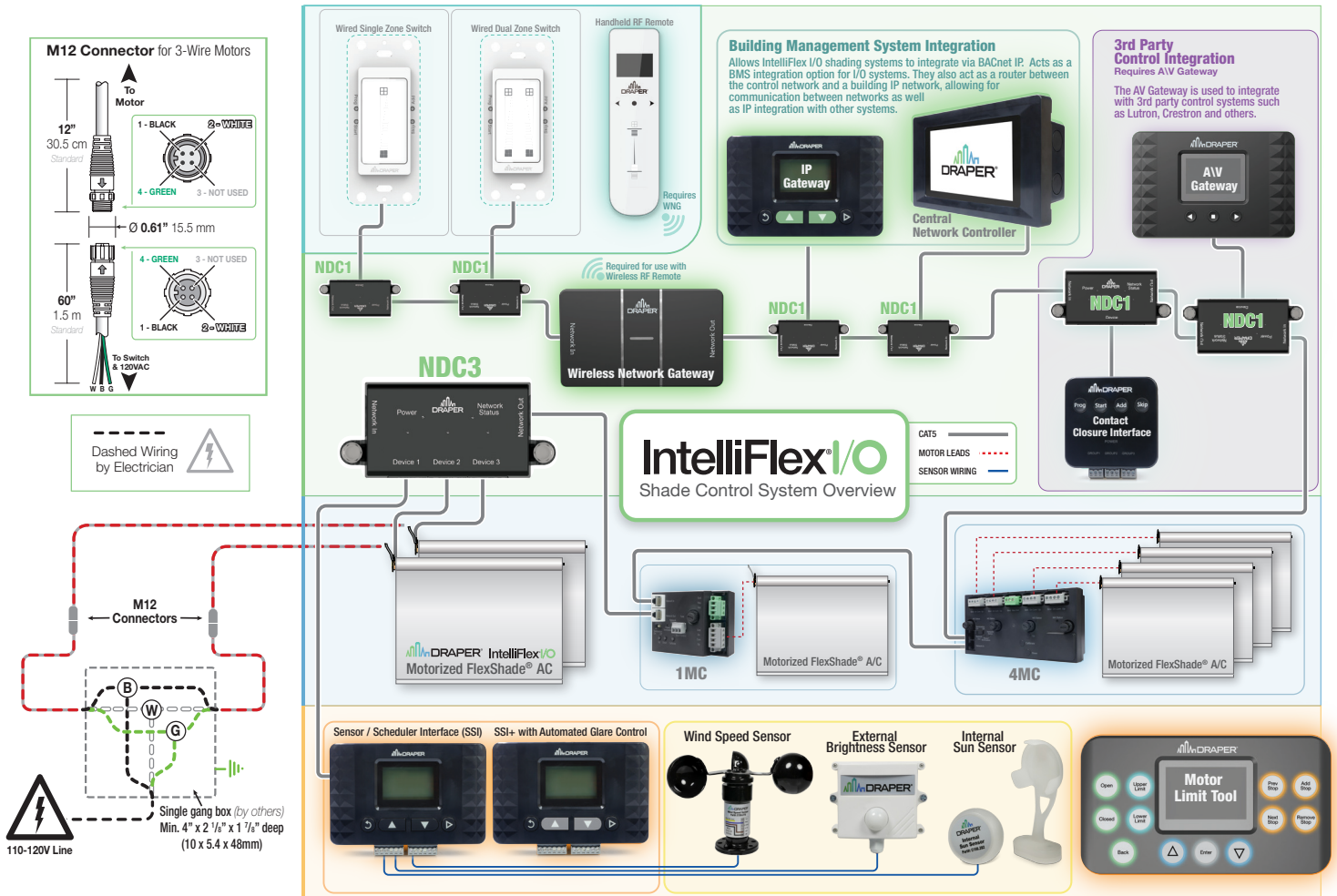
**Please Note:** A Draper Motor Test Cable (Part# 503109) and M12 Pigtail (Part# C107.089.60) are available for temporary power for testing and limit setting.

**⚠ IMPORTANT:** To reduce the risk of electric shock, equipment that features a grounding type attachment plug has a third (*grounding*) pin on the attachment plug. This plug will **ONLY** fit into a grounding type outlet. If the plug does not fit into the outlet, a qualified electrician must install the proper outlet.

**DO NOT** change the plug in any way.

**DO NOT** use an extension cord. If the power supply cord is too short, a qualified electrician must install an outlet near the drapery operator.

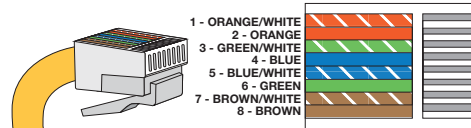
## Section 8 - Wiring Diagrams



### Network Cables:

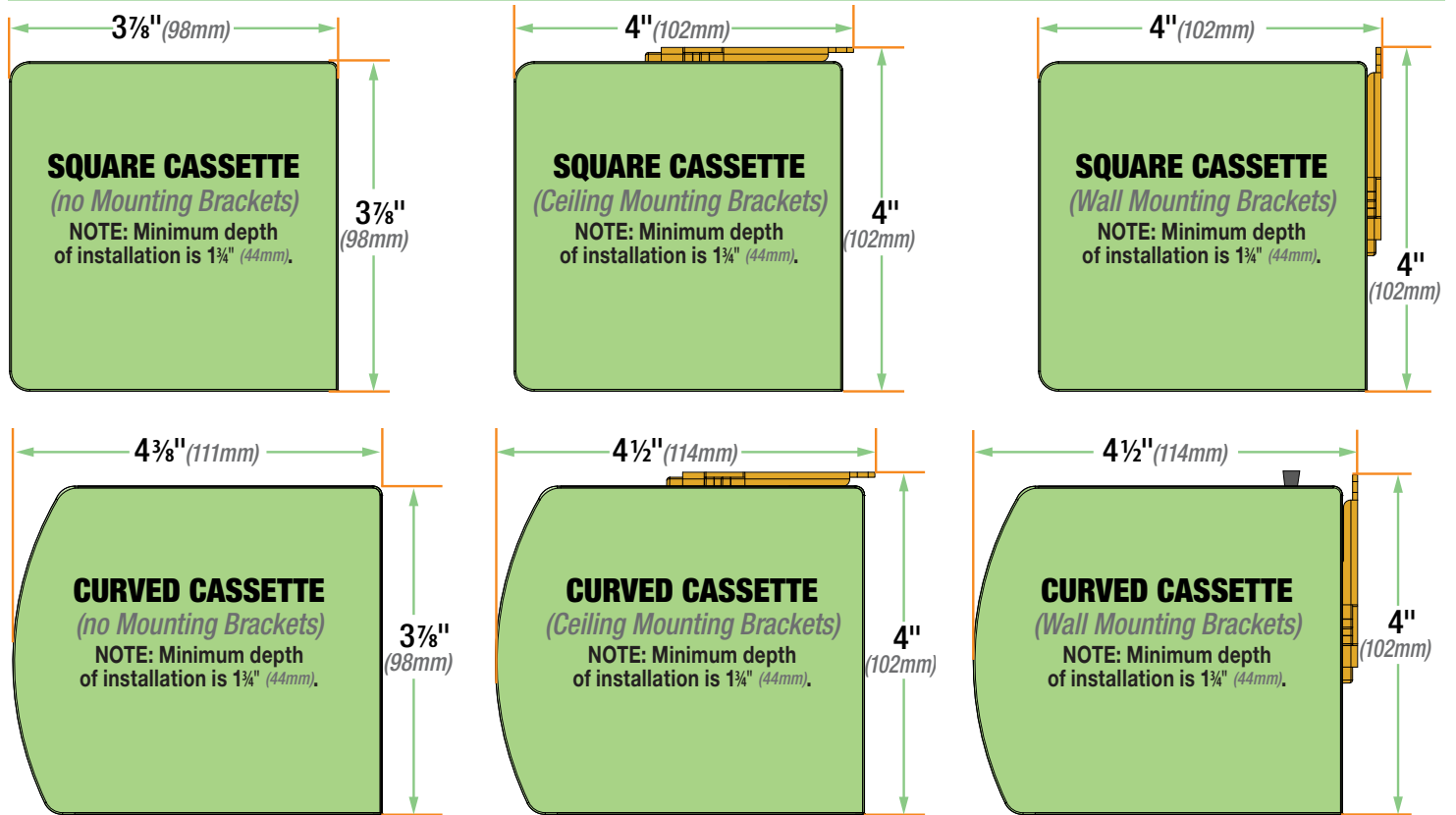
3'	(152.4cm)	(C107.100)
6'	(335cm)	(C107.101)
12'	(518cm)	(C107.102)
25'	(701cm)	(C107.103)
50'	(1524cm)	(C107.102)

### Data Cable Pin-Out - RJ45 Connector



**WARNING: DO NOT use Pass-Through Connectors!**

## Section 9 - Cassette Dimensions



## Section 10 - Shade Dimensions

