

FlexStyle® Cassette ST30 DC

Low-voltage motorized window shade with cassette-style case



SUBMITTAL TECHNICAL INFO

FSTYL CASS BA24

Please check all appropriate selections and attach room schedule with verified dimensions.

Fabric Series: _____

Color Name / Number: _____

Openness Factor: _____

Please see [Draper® Fabric Options](#) for fabric colors and specifications.

Select Hardware Finish

Fabric covered (open bottom ONLY)

- Yes No

Select Hardware Color

- Black White
 Taupe Warm White
 Grey Textured Bronze

Select Hem Bar/Slat Style

- Open Pocket (Standard)
 Closed Pocket (1" (25mm) Elliptical)
 Exposed Hem Bar
 Small Flat Exposed Hem Bar
 Large Flat Exposed Hem Bar
 Round Exposed Hem Bar

Select Exposed Hem Bar color

- (For Plated Hardware ONLY)
 Black White
 Taupe Warm White
 Grey Textured Bronze
 Clear Anodized (not painted)

Select Cassette Options

- Square
 Curved
Open Bottom
 Yes No

Select Motor Options

Select Motor Location (front view)

- Right (standard) Left

Select 24V Motor

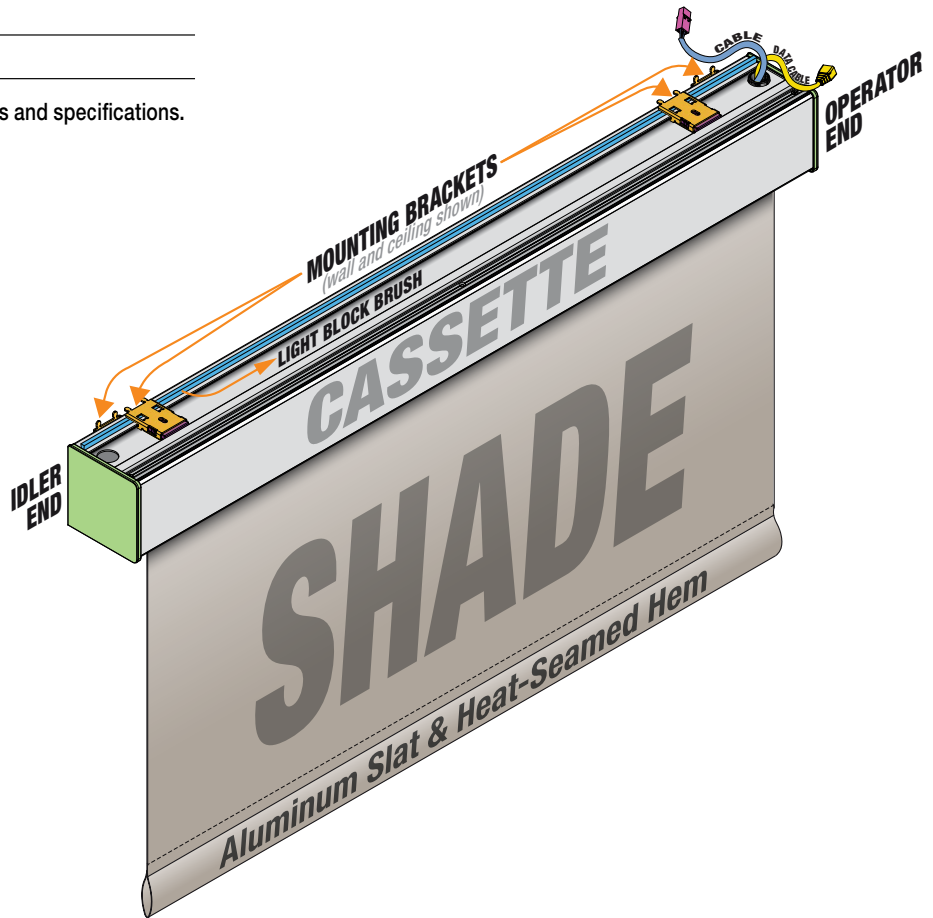
- ST30 24V Dry Contact Motor
 ST30 24V RTS Motor
 ST30 24V 485 Motor (with 10 Motor power panel)

Please Note: Must purchase Low Voltage Plenum Cable for RS 485, Draper Part Number: C107.124

Select Control Options

- Transformer
 Plug-In
 1 Motor
 5 Motors
 10 Motors
 15 Motors
 20 Motors

Please Note:
 For more information about operators and controls, see installation instructions.



Accessory Options

For specific control option, indicate Draper Part Number(s) in the space provided.

- Handheld Remote
 Part number: _____
 Wireless Wall Switch
 Part number: _____
 Top Light Block Brush
 Accessories (consult DraperInc.com)

Available Sizes:

WIDTH:	3'	4'	5'	6'	7'	8'
HEIGHT						
2'						
3'						
4'						
5'						
6'						
7'						
8'						
9'						
10'						

* Sizes will vary according to fabric.



Draper, Inc. | 411 S. Pearl St. Spiceland, IN 47385
draperinc.com | 765.987.7999 | 800.238.7999

© 2024 All Rights Reserved | FORM: FlexStyle_Cassette_MO_ST30_24V_Sub24

PROJECT: _____

ARCHITECT: _____

CONTRACTOR: _____

SUPPLIER: _____

DATE: _____ REVISED: _____

Specifications

FLEXSTYLE CASSETTE MOTORIZED SHADING SYSTEM:

Electrically operated, motorized, vertical roll-up, fabric shading system. Ships fully assembled, and includes motor operator, controls, cassette, mounting brackets, and other components necessary for complete installation. FlexStyle Cassette Motorized as manufactured by Draper®, Inc.

ELECTRIC OPERATOR: Tubular motor concealed inside shade roller tube. **LOCATION:** Right hand: standard; Left hand: as scheduled.

ST30 RTS 24V DC RADIO TECHNOLOGY ELECTRIC OPERATOR:

Drive unit inside roller, instantly reversible, lifetime lubricated. Right hand motor location standard with brackets; Left hand location standard with brackets. Left hand motor location also available with brackets. Right hand motor location not available with brackets. Built-in radio receiver. Limit switches adjustable using wall switch or remote control. Operates at or below sound level of 42 Db. Call Draper for size limitations when using quiet motors.

ST30 24V DC DRY CONTACT ELECTRIC OPERATOR:

Drive unit inside roller, instantly reversible, lifetime lubricated. Right hand motor location standard with brackets; Left hand location standard with brackets. Left hand motor location also available with brackets. Right hand motor location not available with brackets. Limit switches adjustable using wall switch or remote control. Operates at or below sound level of 47 Db. Call Draper for size limitations when using quiet motors.

ST30 24V 485 DC INTELLIGENT TECHNOLOGY ELECTRIC OPERATOR:

Drive unit inside roller, instantly reversible, lifetime lubricated. Right hand motor location standard with brackets; Left hand location standard with brackets. Limit switches adjustable using wall switch or remote control. Operates at or below sound level of 47 Db. Call Draper for size limitations when using quiet motors.

MOTOR LOCATION: Right hand: standard; Left hand: as scheduled.

CASSETTE: Ships fully assembled. Constructed of extruded aluminum. Can be wall or ceiling mounted. No fasteners visible from below, front, or slightly above. Curved or Square shape available.

FINISHES AVAILABLE: Black, White, Taupe, Warm White, Grey, or Textured Bronze. Fabric covered cassette also available (*without bottom closure only*).

MOUNTING BRACKETS: Spring-loaded wall or ceiling mounting brackets of plastic and steel. A minimum of two required per cassette. More may be required at the manufacturer's discretion.

ROLLER: Fabricated from extruded aluminum. Wall thickness and diameter selected by manufacturer to accommodate shade size.

FABRIC CONNECTION TO ROLLER TUBE: Fabric panel is attached with double-sided adhesive (*LSE*) specifically developed to attach coated textiles to metal to the roller tube at the top, and to the hem bar at the bottom. Adhesive attachment to eliminate horizontal impressions in fabric.

HEM BAR:

CLOSED POCKET ELLIPTICAL SLAT: 1 inch (25mm) aluminum elliptical slat inside of a 1 ½ inch (41mm) pocket with heat sealed ends.

OPEN POCKET ELLIPTICAL SLAT: 1 inch (25mm) aluminum elliptical slat with plastic ends inside of a 1 ½ inch (41mm) pocket.

FLAT EXPOSED HEM BAR: Small: ¾ inch x ¾ inch (22mm x 8mm) aluminum rectangular hem bar with plastic endcaps.

LARGE EXPOSED HEM BAR: 1 ½ inch x ¾ inch (38mm x 8mm) aluminum rectangular hem bar with plastic endcaps.

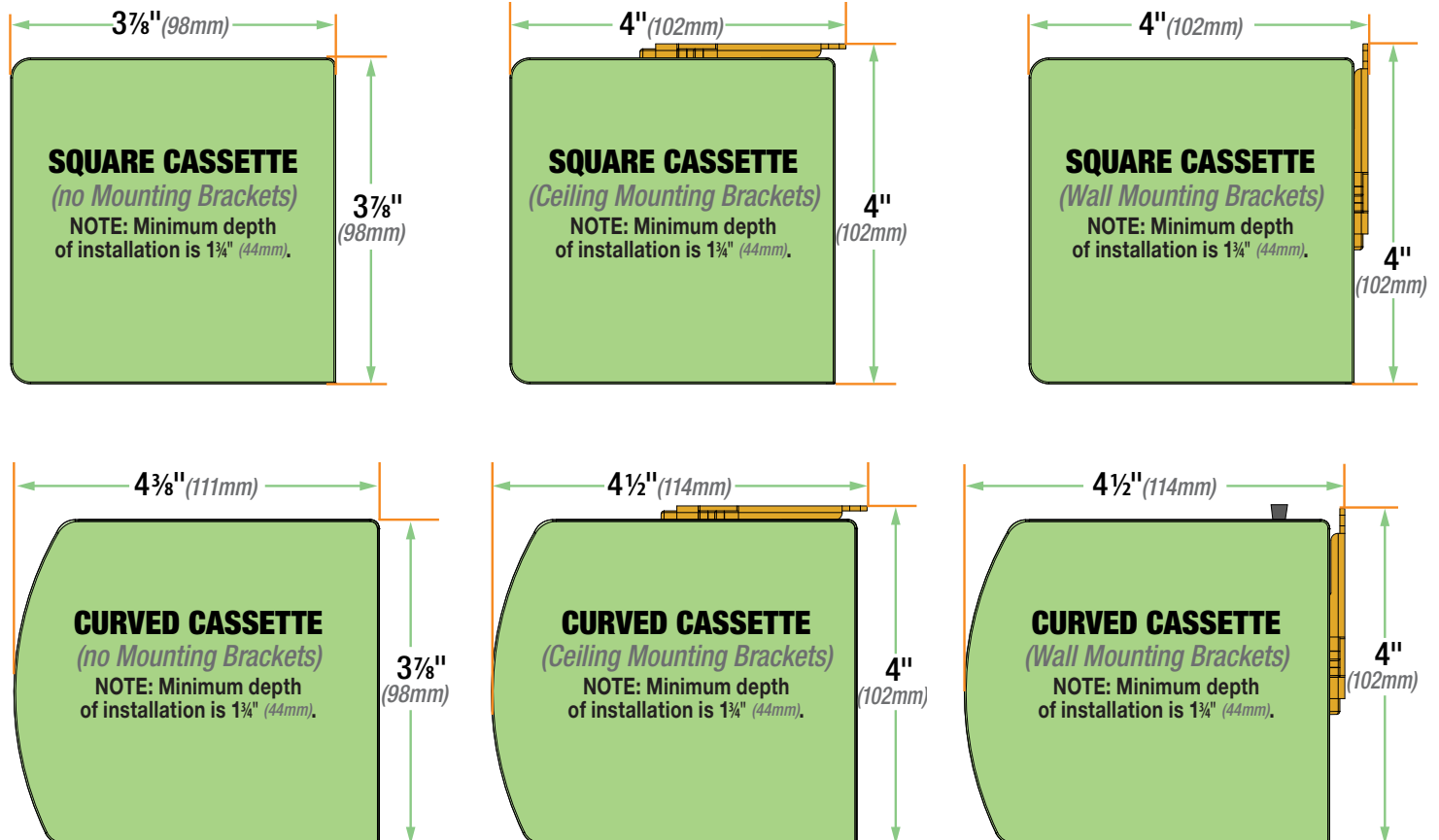
ROUND EXPOSED HEM BAR: Small ⅝ inch (16mm) and Large ⅞ inch (21mm) aluminum with plastic endcaps.

DOWNLOADABLE 3-PART SPECIFICATIONS:

www.draperinc.com

Please note: Dimensions of rollers, operators, and hardware at manufacturer's discretion.

Cassette Dimensions



Shade Dimensions



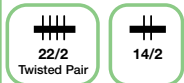
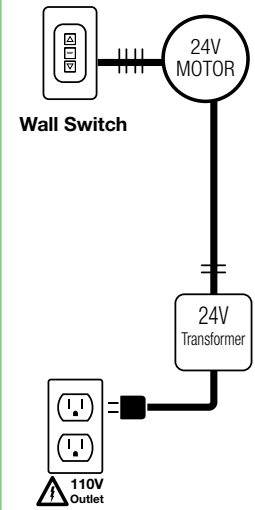
Wiring Diagrams

Sonesse® is a registered trademark of Somfy® Systems, Inc.

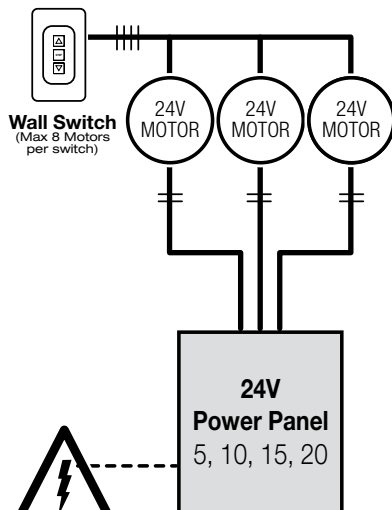
Controls & System Overview

Sonesse 24V DC Motors

Single Dry Contact Motor



Multiple Dry Contact Motors



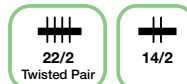
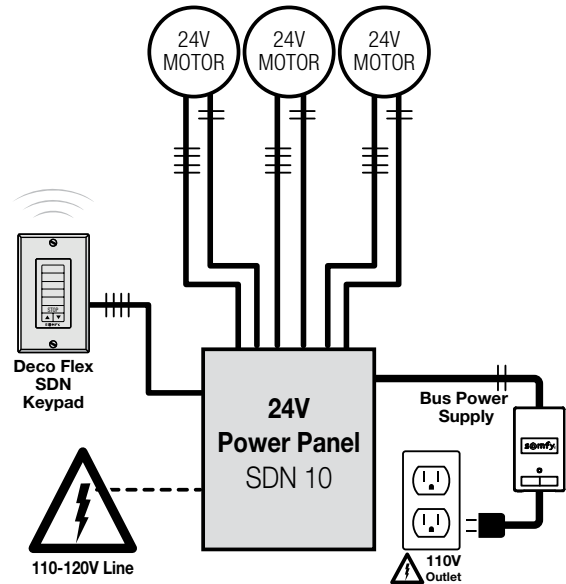
Wiring Distance to Motor
 240 ft with 14AWG
 150 ft with 16AWG
 100 ft with 18AWG

Dashed Wiring by Electrician

Controls & System Overview

Sonesse 485 - 24V DC Motors

Multiple 485 Motors



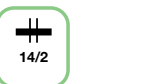
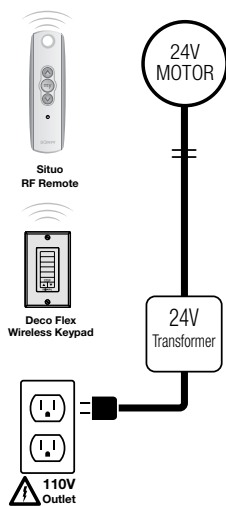
Wiring Distance to Motor
 240 ft with 14AWG
 150 ft with 16AWG
 100 ft with 18AWG

Dashed Wiring by Electrician

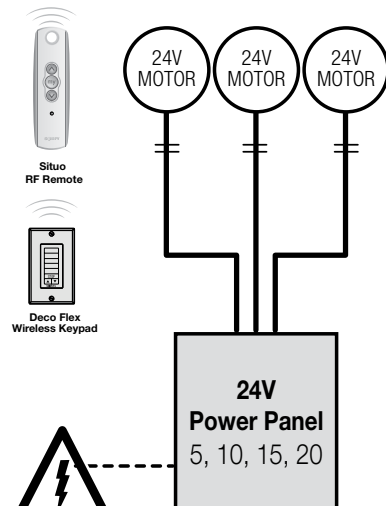
Controls & System Overview

Sonesse RTS 24V DC Motors

Single RTS Motor



Multiple RTS Motors

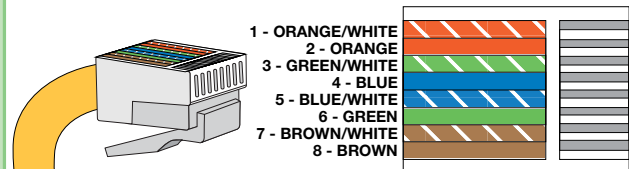


Wiring Distance to Motor
 240 ft with 14AWG
 150 ft with 16AWG
 100 ft with 18AWG

Dashed Wiring by Electrician

Low Voltage Plenum Cable for RS 485 Draper Part Number: C107.124

Data Cable Pin-Out - RJ45 Connector



WARNING: DO NOT use Pass-Through Connectors!

SDN WIRING PINOUT

CAT-5E OR HIGHER TIA-568B STANDARD WITH RJ-45

PIN#	Color	Function
1	Orange White	SDN RS485 (+)
2	Orange	SDN RS485 (-)
3	Green White	Reserved
4	Blue	Power 24v DC
5	Blue White	Power 24v DC
6	Green	Reserved
7	Brown White	SDN RS485 Ground
8	Brown	SDN RS485 Ground