

# FlexStyle® Cassette Motorized AC

Motorized window shade with cassette-style case



## SUBMITTAL TECHNICAL INFO

### FSTYL CASS MO

Please check all appropriate selections and attach room schedule with verified dimensions.

Fabric Series: \_\_\_\_\_

Color Name / Number: \_\_\_\_\_

Openness Factor: \_\_\_\_\_

Please see [Draper® Fabric Options](#) for fabric colors and specifications.

#### Select Hardware Finish

**Fabric covered** (open bottom ONLY)

- Yes     No

**Select Hardware Color**

- Black     White  
 Taupe     Warm White  
 Grey     Textured Bronze

#### Select Hem Bar/Slat Style

- Open Pocket (Standard)  
 Closed Pocket (1" (25mm) Elliptical)  
 Exposed Hem Bar  
 Small Flat Exposed Hem Bar  
 Large Flat Exposed Hem Bar  
 Round Exposed Hem Bar

**Select Exposed Hem Bar color**

(For Plated Hardware ONLY)

- Black     White  
 Taupe     Warm White  
 Grey     Textured Bronze  
 Clear Anodized (not painted)

#### Select Cassette Options

- Square  
 Curved  
**Open Bottom**  
 Yes     No

#### Select Motor

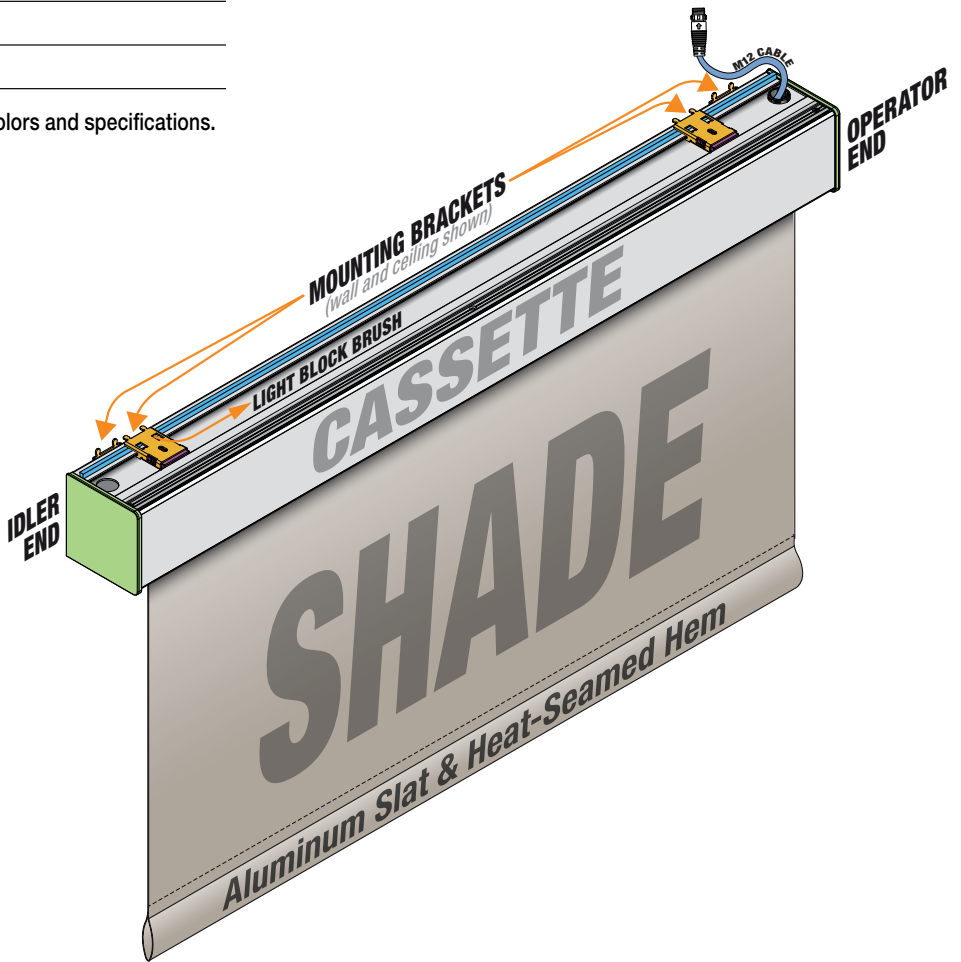
**Select Motor Location** (front view)

- Right (standard)  
 Left

**Select 120V AC Motor**

- Sonesse Motor (standard)  
 Sonesse Ultra Motor

**Sonesse® is a registered trademark of Somfy® Systems, Inc.**



#### Select Control & Accessory Options

For specific control option, indicate Draper Part Number(s) in the space provided.

- 120V Wall Switch for Single Shade Control  
 Low Voltage and/or Multiple Shade Control

**Please Note:** For more information about operators and controls, see installation instructions.

- Handheld Remote  
 Part number: \_\_\_\_\_  
 Wireless Wall Switch  
 Part number: \_\_\_\_\_  
 Top Light Block Brush  
 Accessories (consult [DraperInc.com](#))

#### Available Sizes:

WIDTH:	3'	4'	5'	6'	7'	8'
HEIGHT						
2'						
3'						
4'						
5'						
6'						
7'						
8'						
9'						
10'						

\* Sizes will vary according to fabric.

PROJECT: \_\_\_\_\_

ARCHITECT: \_\_\_\_\_

CONTRACTOR: \_\_\_\_\_

SUPPLIER: \_\_\_\_\_

DATE: \_\_\_\_\_ REVISED: \_\_\_\_\_



Draper, Inc. | 411 S. Pearl St. Spiceland, IN 47385  
[draperinc.com](#) | 765.987.7999 | 800.238.7999

© 2024 All Rights Reserved | FORM: FlexStyle\_Cassette\_MO\_Sub24

## Specifications

### FLEXSTYLE CASSETTE MOTORIZED SHADING SYSTEM:

Electrically operated, motorized, vertical roll-up, fabric shading system. Ships fully assembled, and includes motor operator, controls, cassette, mounting brackets, and other components necessary for complete installation. FlexStyle Cassette Motorized as manufactured by Draper®, Inc.

### ELECTRIC OPERATOR:

Tubular motor concealed inside shade roller tube.

**LOCATION:** Right hand: standard; Left hand: as scheduled.

### SONESSE 120V AC ELECTRIC OPERATOR:

Drive unit inside roller, 4-wire, instantly reversible, lifetime lubricated. Right hand motor location standard. Left hand available. Adjustable limit switches, thermal overload protector and electric brake. Operates on 110-120V AC 1 HP 60 HZ current. Draws 1.1 Amps. For controls, please reference the Draper website.

### SONESSE ULTRA 120V AC ELECTRIC OPERATOR:

Drive unit inside roller, 4-wire, instantly reversible, lifetime lubricated. Right hand motor location standard. Left hand available. Adjustable limit switches, thermal overload protector and electric brake. Operates on 110-120V AC 1 HP 60 HZ current. Draws 1.1 Amps. Operates at or below sound level of 38 Db. For controls, please reference the Draper website. Contact Draper for size limitations when using quiet motors.

### STANDARD MOTOR:

Sonesse® Radio Technology Motor: 110-120V AC, single-phase, 60 Hz, instantly reversible, lifetime lubricated motor with a built-in radio receiver, equipped with internal thermal overload protector, electric brake, and pre-set accessible limit switches. (Compatible with Wireless Radio Technology Controls.)

### OPTIONAL WIRED MOTOR:

Sonesse® 110-120V AC, single-phase, 60 Hz, instantly reversible, lifetime lubricated, and equipped with internal thermal overload protector, electric brake, and pre-set accessible limit switches.

### MOTOR LOCATION:

Right hand: standard; Left hand: as scheduled.

### CASSETTE:

Ships fully assembled. Constructed of extruded aluminum. Can be wall or ceiling mounted. No fasteners visible from below, front, or slightly above. Curved or Square shape available.

### FINISHES AVAILABLE:

Black, White, Taupe, Warm White, Grey, or Textured Bronze.

Fabric covered cassette also available (without bottom closure only).

### MOUNTING BRACKETS:

Spring-loaded wall or ceiling mounting brackets of plastic and steel. A minimum of two required per cassette. More may be required at the manufacturer's discretion.

### ROLLER:

Fabricated from extruded aluminum. Wall thickness and diameter selected by manufacturer to accommodate shade size.

### FABRIC CONNECTION TO ROLLER TUBE:

Fabric panel is attached with double-sided adhesive (LSE) specifically developed to attach coated textiles to metal to the roller tube at the top, and to the hem bar at the bottom. Adhesive attachment to eliminate horizontal impressions in fabric.

### HEM BAR:

**CLOSED POCKET ELLIPTICAL SLAT:** 1 inch (25mm) aluminum elliptical slat inside of a 1 3/8 inch (41mm) pocket with heat sealed ends.

**OPEN POCKET ELLIPTICAL SLAT:** 1 inch (25mm) aluminum elliptical slat with plastic ends inside of a 1 3/8 inch (41mm) pocket.

**FLAT EXPOSED HEM BAR:** Small: 3/8 inch x 3/8 inch (22mm x 8mm) aluminum rectangular hem bar with plastic endcaps.

**LARGE EXPOSED HEM BAR:** 1 1/2 inch x 3/8 inch (38mm x 8mm) aluminum rectangular hem bar with plastic endcaps.

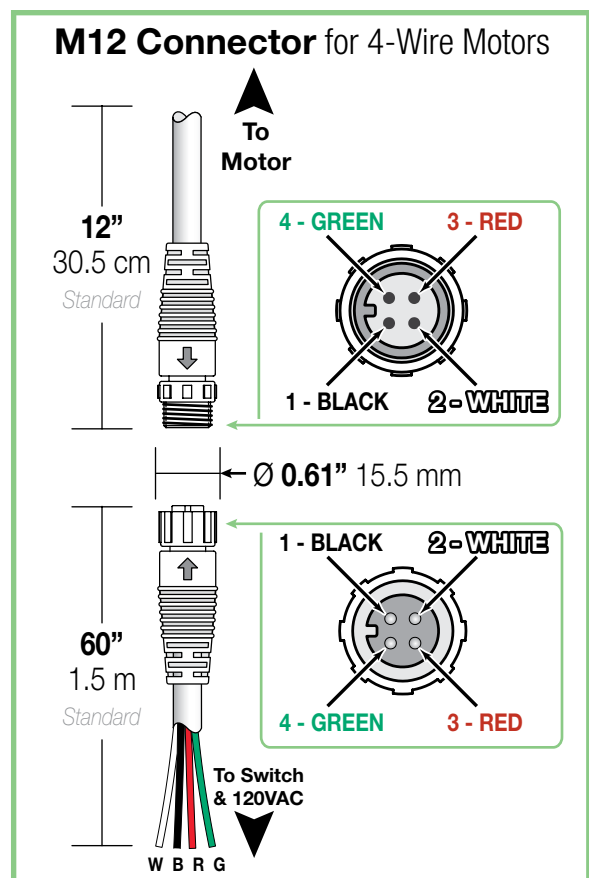
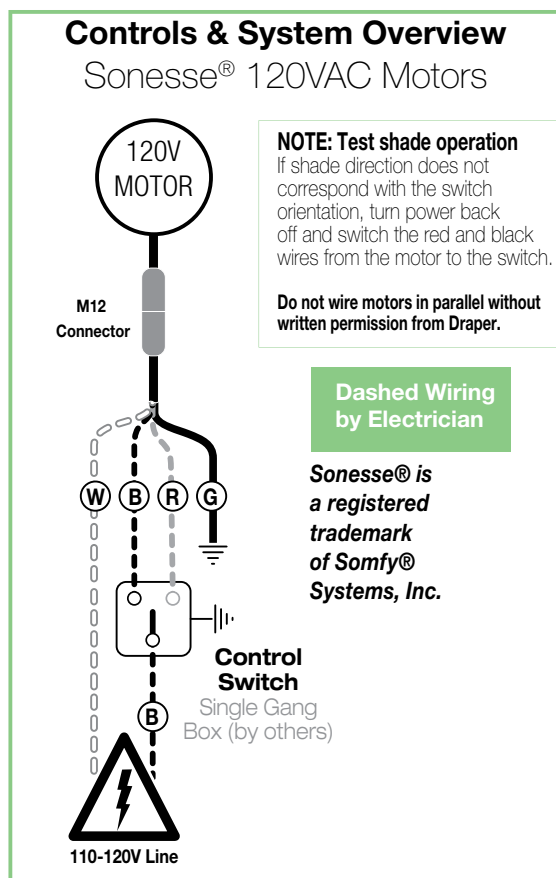
**ROUND EXPOSED HEM BAR:** Small 3/8 inch (16mm) and Large 13/16 inch (21mm) aluminum with plastic endcaps.

### DOWNLOADABLE 3-PART SPECIFICATIONS:

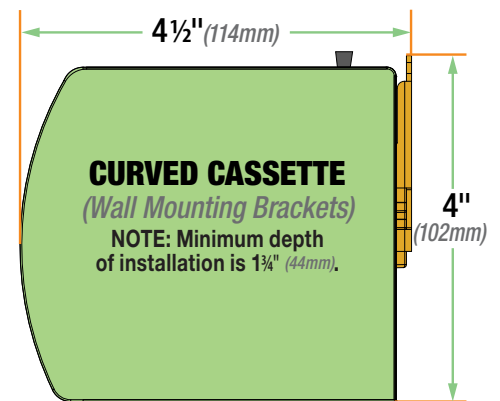
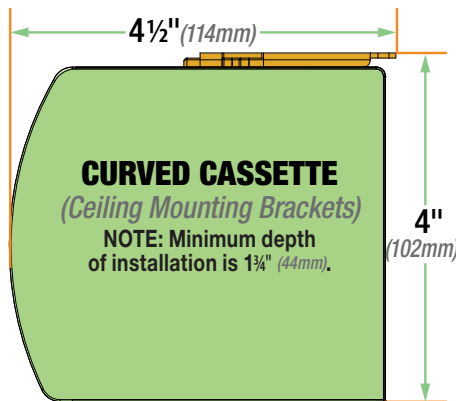
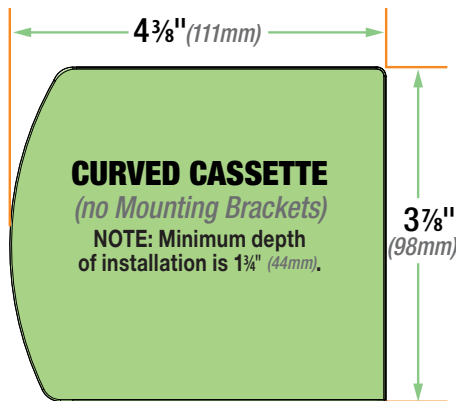
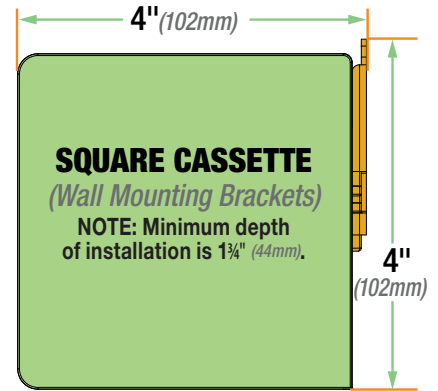
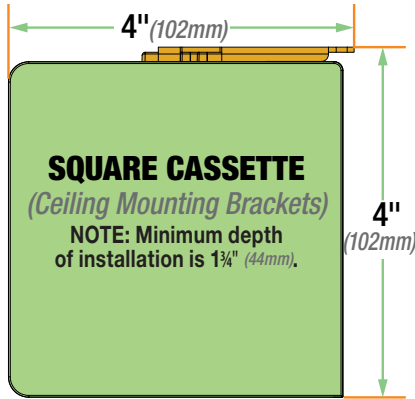
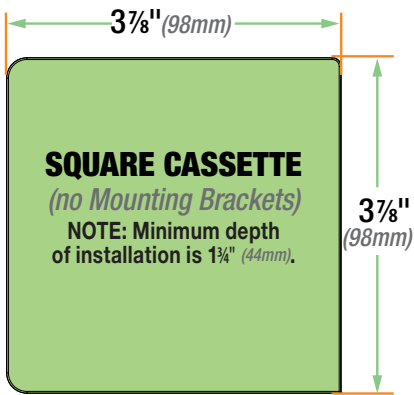
[www.draperinc.com](http://www.draperinc.com)

Please note: Dimensions of rollers, operators, and hardware at manufacturer's discretion.

## Wiring Diagrams



## Cassette Dimensions



## Shade Dimensions

