

BASKETBALL ACCESSORIES SHOT CLOCK BRACKETS

FITS MOST SINGLE-SIDED SHOT CLOCKS, MOUNTS TO SINGLE POST T-STEM BACKSTOPS

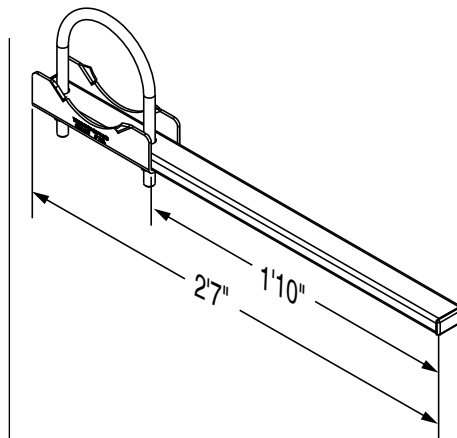


Location: Mendenhall Center Las Vegas, NV, Dealer: Hufcor Desert West, Mesa, AZ
Photographer: Matt Oberer of mattophoto, Albuquerque, NM

- Shot Clock Brackets are designed to allow the mounting of most single-sided basketball shot clocks to single post T-Stem style backstops. Brackets are attached to the backstop with a precision cut and formed saddle that is designed to fit the backstop mast, U-bolt and flange lock nuts. Holes to mount shot clock to brackets are field drilled at time of installation to ensure proper fit.

FEATURES:

- Constructed from 2" x 1" (51 mm x 25 mm) -11 gauge rectangular tubing that is predrilled to accept mast attachment hardware.
- Hardware is zinc plated.
- Brackets sold in pairs. One pair of brackets required for each shot clock.
- Hardware to attach shot clock to bracket not included.
- Shot clocks, conduits, wiring, and electrical components are supplied by other parties.



SUPPORTING DOCUMENTS

Access dimensions, specifications, instructions, technical drawings and other supporting documents located at: draperinc.com/documents.aspx

For more information on this product visit:

draperinc.com/gymequipment/basketballaccessories.aspx

Draper, Inc. | 411 S. Pearl St. Spiceland, IN 47385
draperinc.com | 765.987.7999 | 800.238.7999

© 2019 All Rights Reserved | Form: GYM_BBACCESS_ShotClock_19