

BASKETBALL BACKSTOPS Stationary Wall-Mounted SW

WALL-MOUNTING OPTION



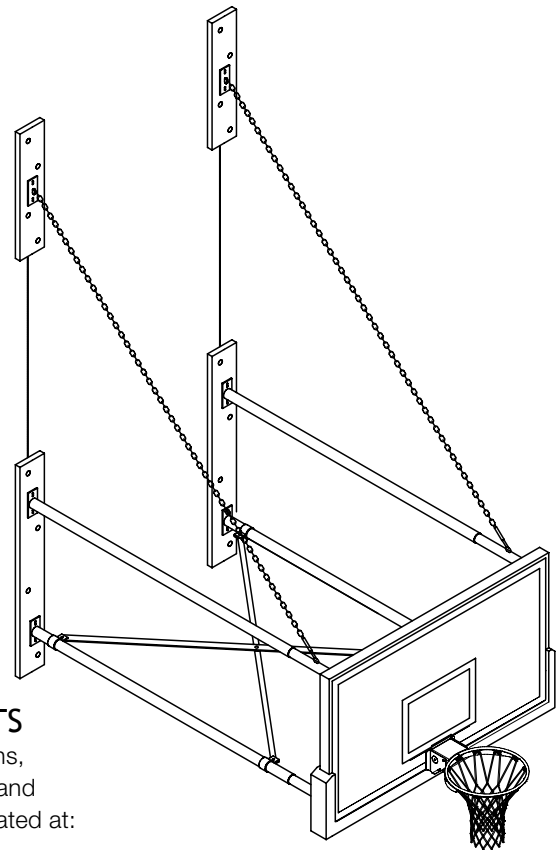
- The SW Stationary Wall-Mounted Basketball Backstop provides a non-folding, competition-grade, stationary unit with four-corner backboard attachment. It features a steel tubing framing system.

FEATURES:

- Four-corner backboard attachment.
- Steel tubing frame system.
- Includes 2 x 8 (3.81 cm X 18.42 cm) southern yellow pine wall pads at wall attachment points.
- Includes ¼" (6 mm) chain supports for units over 3' (91 cm) from the wall, with a height adjuster, and/or glass backboards.

OPTIONS:

- Frames have black or white powder coat finish; other color options available.



SUPPORTING DOCUMENTS

Access dimensions, specifications, instructions, technical drawings and other supporting documents located at:

draperinc.com/documents.aspx

For more information on this product visit:

draperinc.com/gymequipment/basketballbackstops.aspx