

Gym Floor Cover Cart

by DRAPER

Specifications—Floor Protection Covers

Product Description

Floor covers shall be Floor Protection Cover by Draper, Inc. Spiceland, IN. Floor Protection Cover is constructed of heavy-duty, 22 oz. per square yard, laminated vinyl materials with polyester scrim for extreme durability. Vinyl material is rated as self-extinguishing per the California State Fire Code, Class-A Rated in accordance with requirements of NFPA 101 and passes NFPA 701. Cover material is resistant to rot, mildew, fungus and fade from exposure to ultraviolet light. Vinyl Floor Protection Covers are available in Red, Blue, Gray, Beige, and Black.

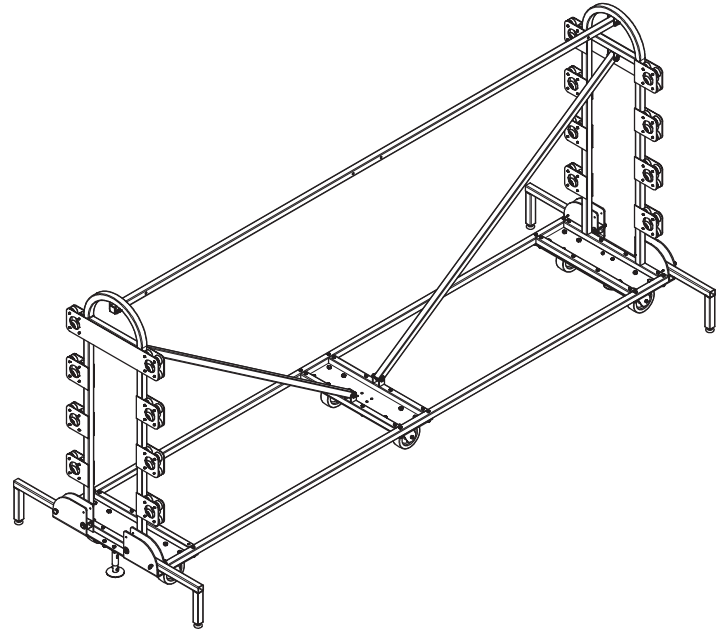
Floor Protection Cover materials come in sections that are 10' wide by a maximum of 120' long and are combined to meet facility needs. Floor Protection covers are designed to help protect valuable playing surfaces from street shoes, chairs and table legs as well as spills when a facility is used for purposes other than athletic competitions.

Specifications—Floor Protection Cover Cart

Product Description

Floor protection storage/transportation cart is to be model no. (502499/502500), (Six/Eight) Roll Floor Protection Cover Cart by Draper, Inc. Spiceland, IN.

Floor Protection Cover Cart is constructed of 1½" x 14 gauge square tubing and ¼" thick steel plate and finished with an attractive gloss black powder coat. Cart features six 6" non-marking casters to distribute weight of cart and covers across a larger floor surface area. Cart has folding outriggers that are locked in the down position during use and dual floor locks to hold the cart in place. Overall dimensions of cart are 148³/₈" (l) x 30" (w) x 60⁵/₈" (h). Width allows for cart to go through a standard door and outriggers that provide a total width of 52³/₄" when in the down position, remove any possibility of tipping. Fabric rolls on zinc plated 2³/₈" OD roller tubes that are captured in four roller, bearing plates to insure easy operation. Roller tubes include through pins at each end to accept hand cranks at each end for easy rolling of Floor Protection Cover. Cover attaches quickly and easily to roller tubes with flexible plastic clips and is secured in the rolled position with hook and loop straps. Each cart is supplied with two hand cranks plus four flexible plastic clips and one hook and loop strap for each roller tube. Cart base includes shelves at each end and in the middle for storage of crank handles, clips, strap and other accessories.



Please Mark Appropriate Selections

Select Gym Floor Cover

- Red Blue Grey
 Beige Black

How Many? _____ x _____ long (120' max.-each section is 10'-0" wide)

Select Gym Floor Cover Cart

- 502499 (for six Rolls)
 502500 (for eight Rolls)

Optional Items

- 502520-Sweeper Strip. Strip of soft 2½" long bristles to clean Floor Protection Cover as it is rolled on to cart. Sweeper Strip brackets bolt on to cart and strip is moved side to side as cover is rolled onto tubes.
- 502531-Handheld Tape Dispenser. Dispenser has a heavy duty steel frame and comfortable plastic pistol grip. Dispenser holds one 3" wide roll of seaming tape and has a double side cutting blade.
- 502532-Walk-Behind Tape Dispenser. Dispenser has a tubular construction with three wheels for stability during use. Front wheel is 7" wide presses tape to surface while user pushes. Dispenser has an overall height of 38¾" and handle grips for comfort during use.
- 502533-Floor Protection Cover Seaming Tape. 3" wide clear nylon tape to secure edges and seams of Floor Protection Cover to reduce trip hazards and make more waterproof. Seaming tape is sold by the carton of sixteen 36 yard rolls. Tape removes easily and does not leave adhesive residue.
- 502550-Power Winder. Powerful handheld portable drive unit that features a 115 volt, 1200 watt motor to produce over 250 ft-lbs of torque. Drive unit is reversible and includes a heavy duty snap in drive adaptor to make rolling Floor Protection Cover quick and easy.

DRAPER®

411 S. Pearl St., Spiceland, IN 47385 USA ■ 765-987-7999

www.draperinc.com ■ fax 765-987-7142

Copyright © 2013 Draper Inc. Form GymFloorCoverCart_Sub13 Printed in U.S.A.

PROJECT: _____

ARCHITECT: _____

CONTRACTOR: _____

SUPPLIER: _____

DATE: _____ REVISED: _____