

LightBloc FlexShade®

Motorized or manual shade with fabric retention system for room darkening and privacy.



SUBMITTAL
TECHNICAL INFO

LIGHTBLOC CL

LIGHTBLOC MO

Please check all appropriate selections and attach room schedule with verified dimensions.

Fabric Series: _____

Color Name / Number: _____

Openness Factor: _____

Please see [Draper® Fabric Options](#) for fabric colors and specifications.

Hardware Options

Select Hardware Finish

- Black
- White
- Ivory
- Grey
- Textured Bronze
- Clear Anodized (not painted)

Select Hardware Style

- Headbox**
- Surface Mount at Head
 - Installation Inside Pocket
- Side Channels For Installation To:**
- Face
 - Jamb
 - Mounting Angle On Room Side
 - Mounting Angle On Window Side
- Sill Channels For Installation To:**
- Face (Wall)
 - Jamb (Sill)

Installation

- Do any units abut at mullions?
 - No
 - Yes
 Which? _____

Select Operator and Control Options for Motorized Units

Select Motor Location

- Right (standard)
- Left (available)

Standard 110-120V AC Motors

- Standard Motor
- Quiet Motor

Controls:

- 110-120V Wall Switch for Single Shade Control
- Low Voltage and/or Multiple Shade Control
Please see [Draper's IntelliFlex® Controls Reference Sheet](#) and [IntelliFlex® Control System Planning Sheet](#) to design a control solution for this product. The forms are available at www.draperinc.com, or by contacting Draper.

Radio Technology Motors

- 110-120V AC Radio Technology Motor
- 110-120V AC Radio Technology Quiet Motor

Controls:

- Altus RF
 - 1-Channel Transmitter
 - 4-Channel Transmitter
 - 5-Channel Transmitter w/ Scroll Wheel
 - Dry Contact Interface
 - Single Motor Sun Sensor
 - White
 - Ivory
- Wireless Wall Switch
 - 1-Channel (Circle one: White/Ivory)
 - 4-Channel (Circle one: White/Ivory)
 - Chronis 1-Channel with 24-hour Timer
- Multi-Link Universal RTS Interface (5-channel)
- Multi-Link RS232 to RTS Interface (16-channel)

Intelligent Technology (ILT) 110-120V Motors


- Standard ILT 110-120V Motor
- Quiet ILT 110-120V

Controls:


- 1-Channel RF Transmitter
- 4-Channel RF Transmitter
- 5-Channel RF Transmitter w/ Scroll Wheel
- 1-Channel IR Transmitter
- Wireless Wall Switch

Select Options for Clutch Operated Units (see safety note below)

Child Safety Information



To comply with Child Safety Standard ANSI/WCMA A100.1-2022, this product ships with a tensioning device attached to the bead chain. Incorrect installation partially disables the product. When properly fastened to mounting surface, the pre-installed Tensioned Hold Down device for clutch-operated units prevents creation of a hazardous loop by maintaining tension on the bead chain.



Scan for more information, including short videos on correctly installing the tensioning device, or go to draperinc.com/windowshades/childsafety.

Select Clutch Location

- Right (standard)
- Left (available)

Select Bead Chain Type:

- Steel Chain
 - Stainless Steel (standard)
 - Black Steel
 - White Steel
- Polyester Chain
 - Black
 - Ivory
 - Bronze
 - Grey
 - White

PROJECT: _____

ARCHITECT: _____

CONTRACTOR: _____

SUPPLIER: _____

DATE: _____ REVISED: _____



Draper, Inc. | 411 S. Pearl St. Spiceland, IN 47385
draperinc.com | 765.987.7999 | 800.238.7999

© 2024 All Rights Reserved | FORM: LightBloc_FlexShade_Sub24

Specifications

METHOD OF OPERATION

ELECTRIC OPERATOR: Drive unit inside roller, 4-wire, instantly reversible, lifetime lubricated. Right hand motor location standard. Left hand available. Adjustable limit switches, thermal overload protector and electric brake. Operates on 110-120V AC 1 PH 60 HZ current. Draws 1.1 Amps. For controls, see IntelliFlex I/O® Controls Reference Sheet and IntelliFlex Controls Planning Sheet.

QUIET ELECTRIC OPERATOR: Drive unit inside roller, 4-wire, instantly reversible, lifetime lubricated. Right hand motor location standard. Left hand available. Adjustable limit switches, thermal overload protector and electric brake. Operates on 110-120V AC 1 PH 60 HZ current. Draws 1.1 Amps. Operates at or below sound level of 44 Db. For controls, see IntelliFlex® Controls Reference Sheet and IntelliFlex Controls Planning Sheet. Call Draper® for size limitations when using quiet motors.

RTS ELECTRIC OPERATOR: Drive unit inside roller, 3-wire, instantly reversible, lifetime lubricated. Right hand motor location standard. Left hand available. Built-in radio receiver. Limit switches adjustable using wall switch or remote control. Thermal overload protector and electric brake. Operates on 110-120V AC 1 PH 60 HZ current. Draws 1.1 Amps. Operates at or below sound level of 44 Db. Call Draper for size limitations when using quiet motors.

ILT ELECTRIC OPERATOR: Drive unit inside roller, 3-wire, instantly reversible, lifetime lubricated. Right hand motor location standard. Left hand available. Built-in encoder and low voltage controller with data cable. Limit switches adjustable using wall switch or remote control. Thermal overload protector and electric brake. Operates on 110-120V AC 1 PH 60 HZ current. Draws 1.1 Amps.

QUIET ILT ELECTRIC OPERATOR: Drive unit inside roller, 3-wire, instantly reversible, lifetime lubricated. Right hand motor location standard. Left hand available. Built-in encoder and low voltage controller with data cable. Limit switches adjustable using wall switch or remote control. Thermal overload protector and electric brake. Operates on 110-120V AC 1 PH 60 HZ current. Draws 1.1 Amps. Operates at or below sound level of 44 Db. Call Draper for size limitations when using quiet motors.

BEAD CHAIN CLUTCH OPERATOR: High carbon steel and molded fiberglass-reinforced polyester thermopolymer (PBT). Bi-directional for mounting at either end of roller. Control loop, of any length, is a stainless steel or plastic bead chain. Stainless steel is standard. Plastic chain available in ivory, grey, black. Never needs adjusting. Right hand control location standard; left hand available. Patent pending.

HARDWARE

ROLLERS: Sizes 1½" (38mm) dia. with .065 wall or 2" (51mm) dia. with .080 wall—6063-T5 aluminum extruded tube. Roller assembly easily removable.

ROLLER IDLER ASSEMBLY: Type % injected molded nylon and a zinc-plated cold rolled steel pin. Sliding pin for easy installation and removal of the roller.

ENDCAPS: 1028 steel stamping, 3¼" x 3¾", complete with roller adapter bracket. Large endcaps 4½" x 4½", also available at manufacturer's discretion. Installs to

face, ceiling, or jamb. Accepts roller box cover and fabric guide.

HEADBOX, CHANNELS & SLAT BAR: 6063-T5 aluminum custom extruded shapes, .060 wall. Clear anodized (standard), or black, white, ivory, or bronze powder coat finish. All contain grooves to accept light seal elements.

HEADBOX: Available in two configurations. The first, for surface or jamb installation, consists of an L-shaped back/top and an L-shaped front/bottom. The second, for pocket installation, includes a U-shaped back/top/front with removable bottom. Some exposed fasteners required. Clear anodized (standard), or black, white, ivory, or bronze powder coat finish.

SIDE CHANNELS: One-piece construction. Channel consists of two chambers. One accepts the fabric and contains groove for fabric retainer. The second accepts the fabric guide and channel locator (see below). Face-mounted units require plastic cover buttons.

SILL CHANNEL: accepts the slat bar, prevents light leakage. Bottom of channel provides for use of flat head screws.

SLAT BAR: furnished with sill channel and is attached to the bottom of shade fabric. Includes a chamber for additional weight if needed for smooth operation. Does not retract into operator enclosure (headbox).

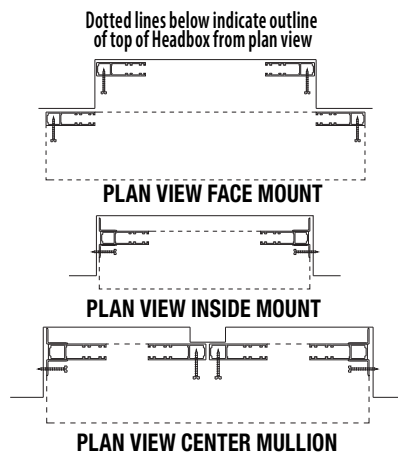
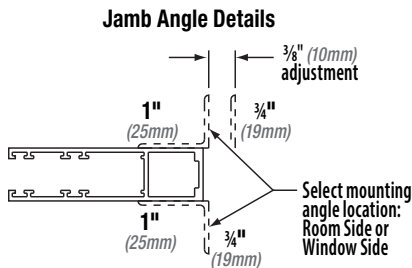
CHANNEL LOCATOR: Type % injected molded nylon. Aligns enclosure and channels.

FABRIC GUIDES: Plated steel. Forms a transition for the fabric as it rolls into the channels, reducing friction.

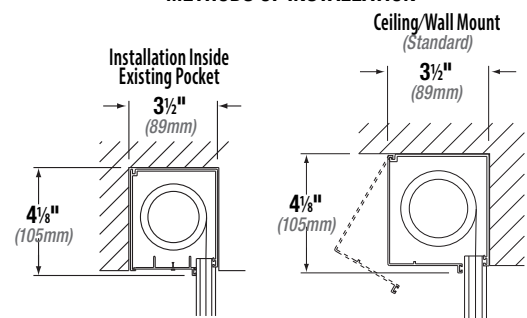
PATENT INFORMATION: Available at www.draperinc.com/legal/patents

DOWNLOADABLE 3-PART SPECIFICATIONS: www.draperinc.com

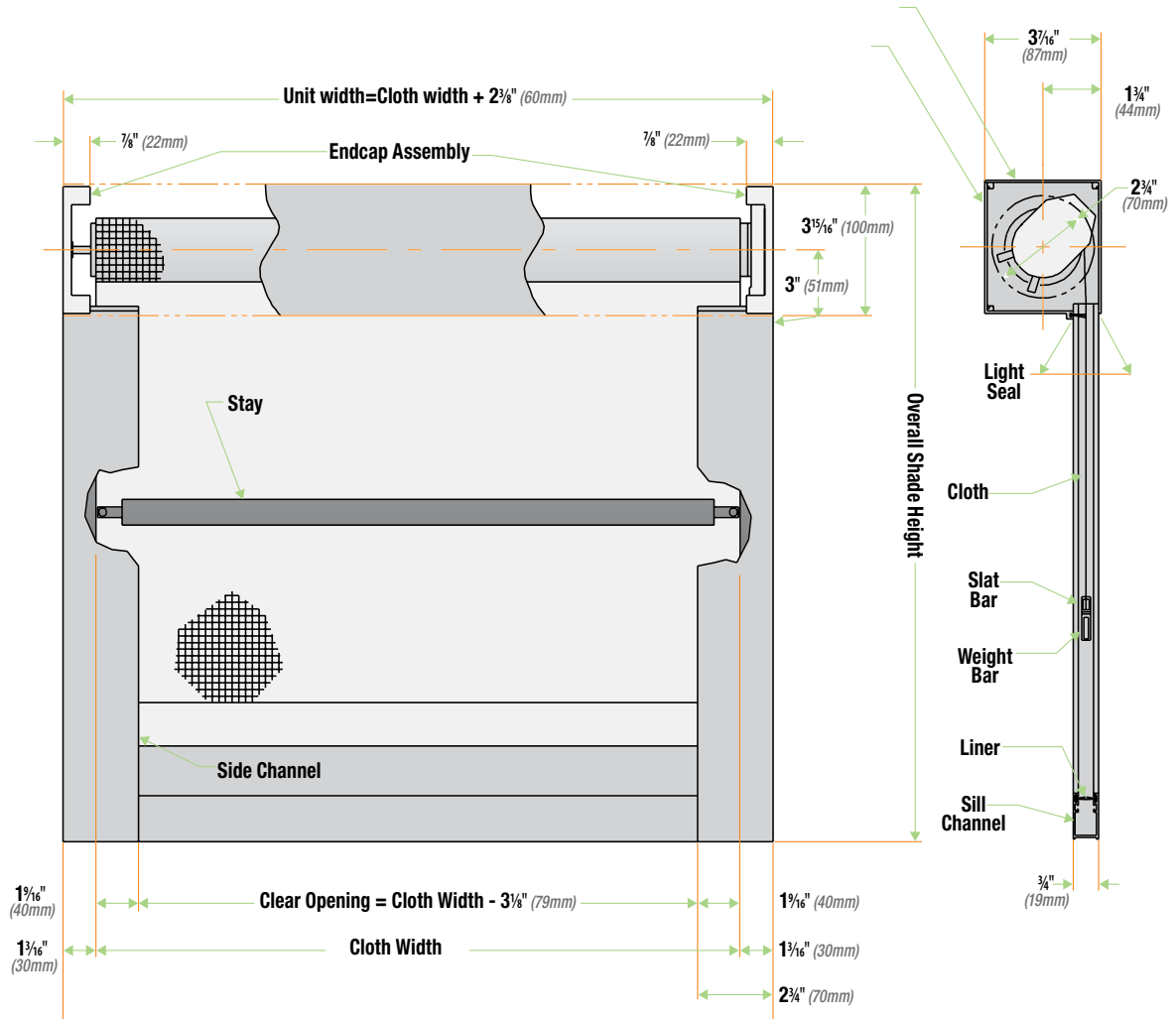
Please note: Dimensions of rollers, operators, and hardware at manufacturer's discretion.



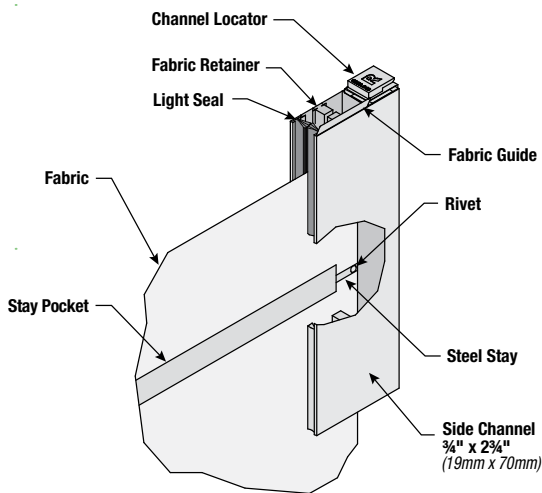
METHODS OF INSTALLATION



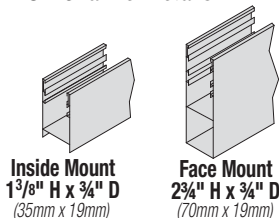
Dimensions



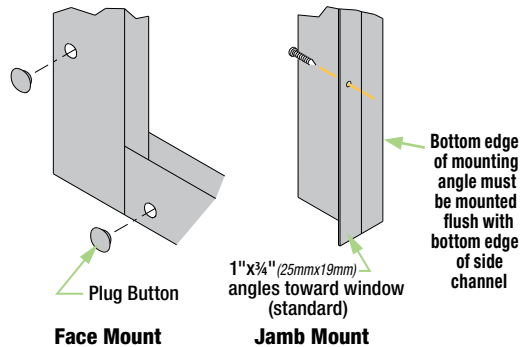
Fabric Retention System Details



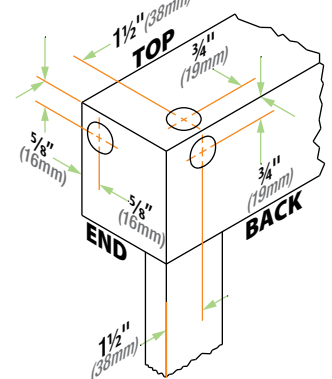
Sill Channel Details



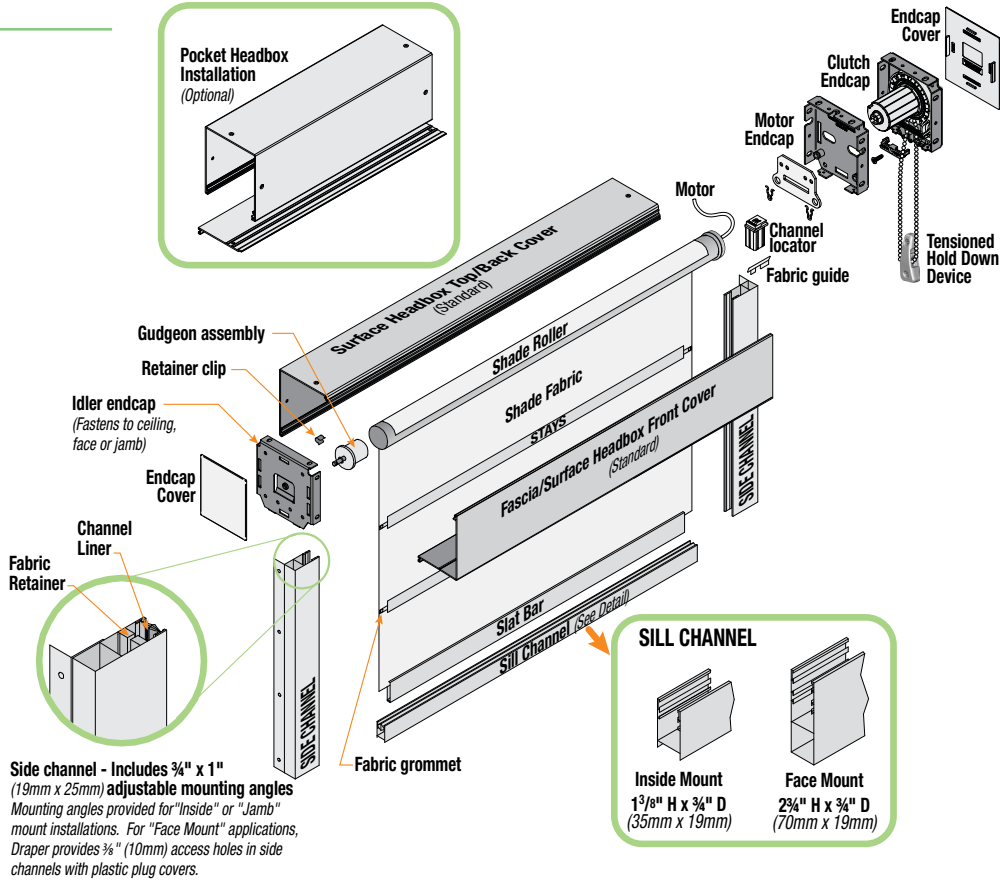
Channels drilled for face or jamb mount



Optional Cable Exit Hole Locations



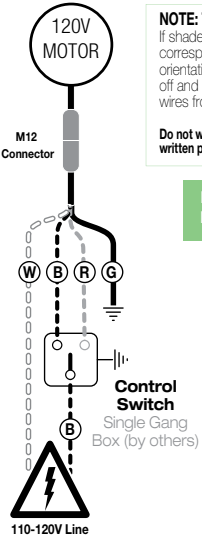
Components



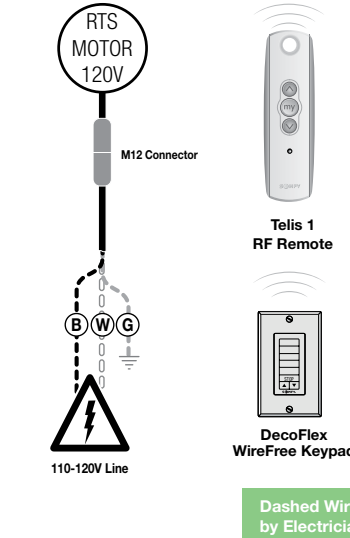
Wiring Diagrams (for Motorized Units)

Sonesse® is a registered trademark of Somfy® Systems, Inc.

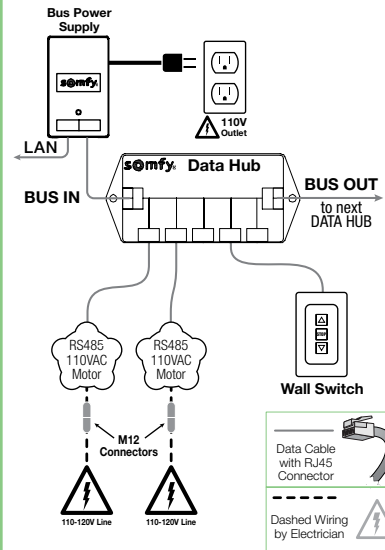
Controls & System Overview Sonesse® 120VAC Motors



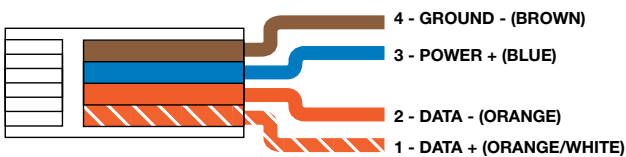
Controls & System Overview Sonesse® RTS 120VAC Motors



Controls & System Overview Sonesse® 485 120VAC Motors



MOTOR Pin-Out - RJ9 Connector



Data Cable Pin-Out - RJ45 Connector

