

Patriot Motorized Flag



SUBMITTAL TECHNICAL INFO

Specifications - Patriot Motorized Flag

500101 VERTICAL FLAG: Housed in a 13' 5 3/4" (4M) case.

500102 HORIZONTAL FLAG: Housed in 19' 5 3/4" (5.92M) case.

QUANTITY: _____

SIZE: _____ h. x _____ w.

PRODUCT DESCRIPTION:

FLAG: The flag measures 12'W x 18'H when displayed vertically or 18'W x 12'H when displayed horizontally. Standard product includes a sewn, nylon flag. Custom options available. Contact Draper for options, requirements, and limitations for other flags or banners (provided by customer).

ROLLER/FABRIC ASSEMBLY: Installed in case at factory. Brackets supporting roller/fabric assembly to slide in track inside top of case, allowing surface to be centered in case. Roller of 5" (12.7cm) dia. metal.

MOTOR: 110-120V AC, 60 Hz. 4-wire motor mounted inside roller, max 2.3 Amp current draw, instantly reversible, lifetime lubricated, with internal thermal overload protector and electric brake, standard motor with preset accessible switches. Housing features internal junction box, allowing it to be installed and wired to building supply wires at an early stage of construction. Junction box has plug-in style connector, accepting the mating half of the connector from the motorized roller/fabric assembly. 3-position control switch (or switches—specify number) to stop or reverse surface at any point. Switch(es) furnished with cover plate.

HOUSING: The 500101 vertical (banner) flag is housed in a 13' 5 3/4" (4M) steel case. The 500102 Horizontal flag is housed in a 19' 5 3/4" (5.92M) steel case. Case back, top, and front constructed of steel. Endcaps are steel. Case is painted Black. Bottom panel forms slot for passage of surface, easily removable for access. If mounted in ceiling, housing includes bottom flange for trim around edges of ceiling opening.

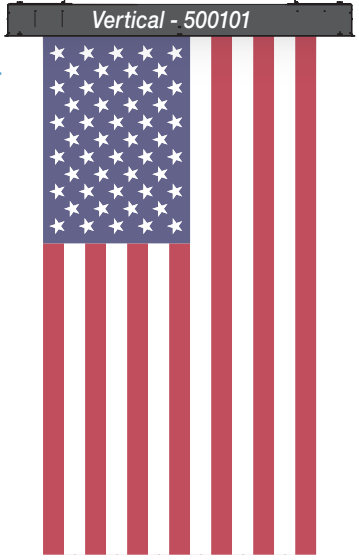
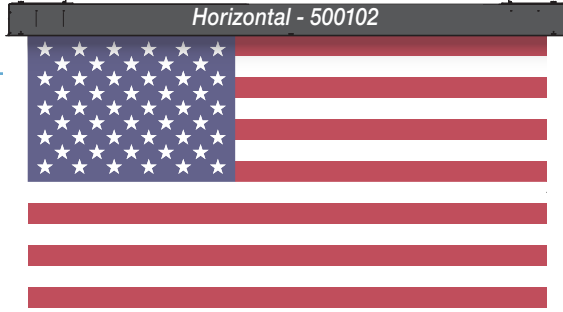
MOUNTING METHODS: Case may be mounted to ceiling with 3/8" (9.5mm) threaded rod, or to wall with appropriate fasteners for the given wall construction.

MOUNTING BRACKETS: Slide in 18" (45.7cm) long channels on top of case, allowing brackets to be moved to avoid interference with conflicting building structures. Brackets must be locked in position by tightening screws. In typical ceiling installations, mounting brackets may be angled to meet installation requirements.

U.S. AND CANADA. PLENUM RATED CASE (UL APPROVED "SUITABLE FOR USE IN ENVIRONMENTAL AIR SPACE"). SPECIFICATIONS SUBJECT TO CHANGE WITHOUT NOTICE. FOR MORE INFORMATION, VISIT UL.COM/GG.

DOWNLOADABLE 3-PART SPECIFICATIONS: available at www.draperinc.com

PLEASE NOTE: Dimensions of rollers, operators, and hardware at manufacturer's discretion.



Select Flag Orientation:

- Vertical - 12'W x 18'H American Flag - 500101 How Many _____?
- Horizontal - 18'W x 12'H American Flag - 500102 How Many _____?
- Custom: _____

Select Mounting Method:

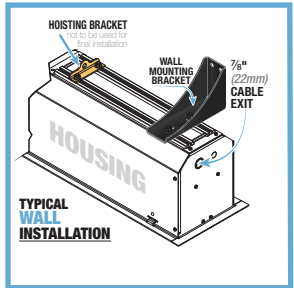
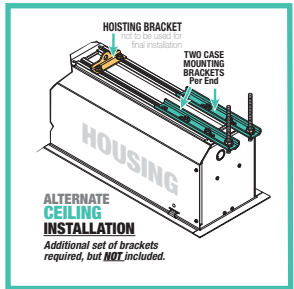
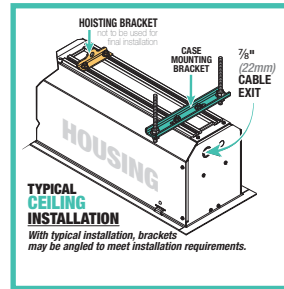
- Wall Mounted
- Ceiling Mounted

Select Case Color:

- Black (Standard)
- White

Select Motor and Controls:

- 3-Position Key Switch - 121018 (Standard) How Many? _____
 - Optional Key Operated Switch (Optional) How Many? _____
- Please Specify optional switch Type: _____



Position and Manner of Display of US Flag

When displayed either horizontally or vertically against a wall--

- Flag should be oriented to display the field of stars to the observer's uppermost left.

When displayed away from the wall or in the middle of a room--

- If the building has one main entrance, flag should be suspended vertically and oriented with the field of stars to the observer's uppermost left upon entering.
- If the building has more than one main entrance, the flag should be suspended vertically near the center of the room and positioned with the field of stars to the upper north corner if entrances are east and west, or with the field of stars to the upper east when entrances are north and south.
- If the building has entrances in more than two directions, flag should be located near the center of the room and should be oriented to display the field of stars in the upper east corner.

Source: The American Legion



Draper, Inc. | 411 S. Pearl St. Spiceland, IN 47385
draperinc.com | 765.987.7999 | 800.238.7999
© 2021 All Rights Reserved | FORM: Patriot_Sub21

PROJECT: _____

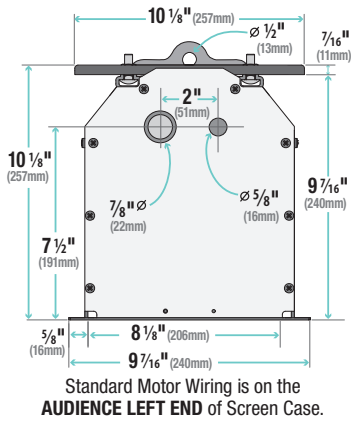
ARCHITECT: _____

CONTRACTOR: _____

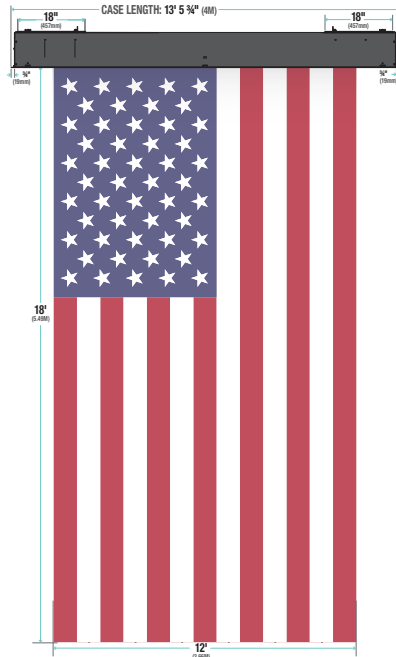
SUPPLIER: _____

DATE: _____ REVISED: _____

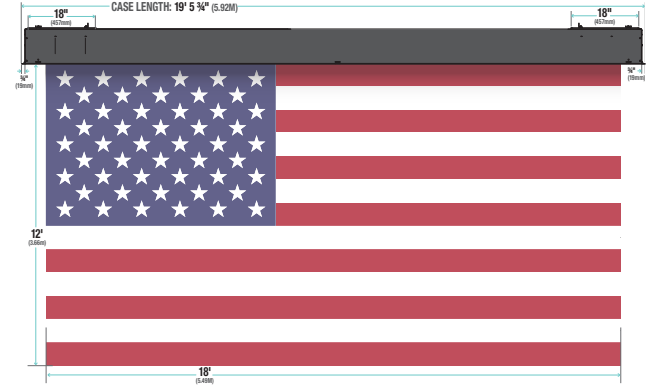
End of Case Dimensions



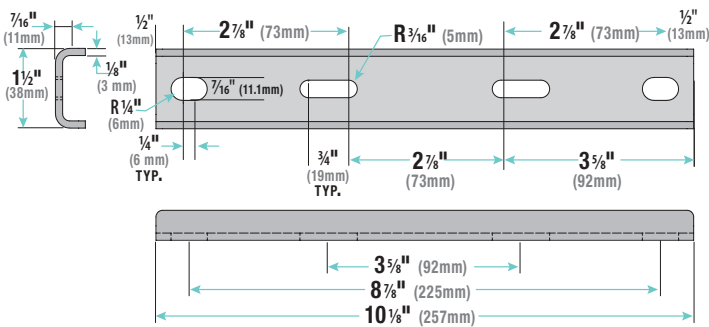
Vertical Case Length - 500101



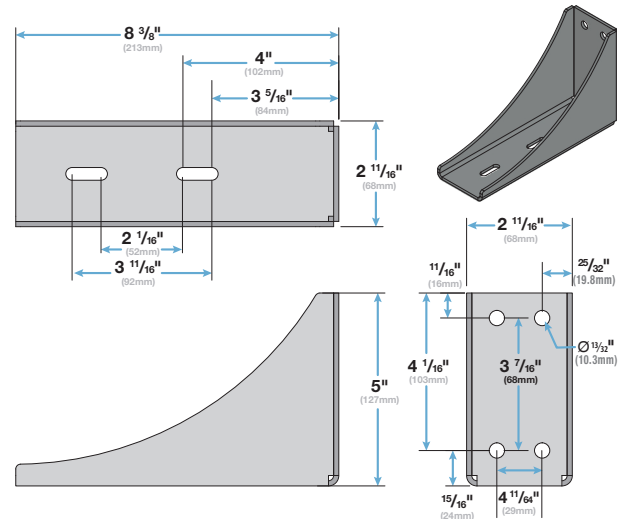
Horizontal Case Length - 500102



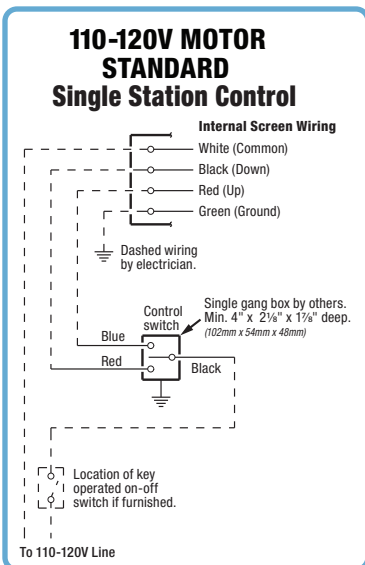
Ceiling Mounting Bracket Dimensions



Wall Mounting Bracket Dimensions



Wiring Diagram



Key Switch

KS-3 121018

