

Installation/Operating Instructions

Ceiling Closure for Scissor Lift SLX by Draper

Installing Optional Ceiling Closure "SLX"

The optional ceiling closure can be used as is, or in conjunction with, a square of existing ceiling tile.

- 1 If installing with ceiling tile, you may need to cut tile so that its overall dimensions are the same as (or slightly less than) the closure panel. Place tile into trim frame. Lay closure panel on top (back side) of ceiling tile, and tighten screws to hold in place.

Lipless Closure Option is available by removing the Trim Ring from the Closure Panel. A substrate material (ceiling tile, gypsum board, etc.) can be attached directly to the Closure Panel using adhesive, double-sided tape or screws. **NOTE: Make sure the added weight of the substrate does not exceed the stated weight capacity of the lift.** Substrate should be installed so that it is centered within the finished opening in the ceiling, with a gap of no less than $\frac{3}{16}$ " around all edges. Lipless Closure dimensions shown with * in drawing below.

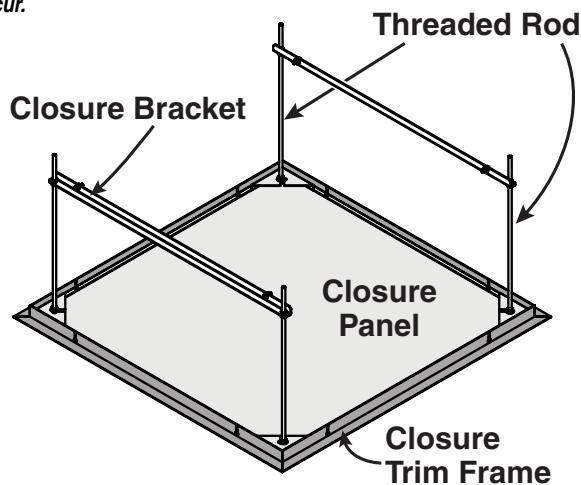
- 2 Attach provided angle brackets to side of Bottom Panel of Scissor Lift SLX.
- 3 Attach threaded rods to angle bracket.
- 4 Run unit "up" until bottom pan stops at highest position. Mark position on threaded rods even with ceiling level and cut to length (remove from pan if convenient).
- 5 Run unit "down" until bottom pan stops at "show" position.
- 6 Attach closure to lower end of threaded rods by slipping into four corner slots and secure with nuts above and below slots.

⚠ Caution: Make sure nuts are completely tightened.

- 7 Run unit "up" again to highest position. Measure distance by which panel fails to reach required "closed" height for surrounding ceiling.
- 8 Run unit "down" then re-adjust mounting of threaded rods in traveling grid to raise panel required distance.
- 9 Test unit operation to confirm that panel will stop in closed position just before touching ceiling.

⚠ Caution: DO NOT hang from, "ride" or pull down on the unit. This could create a failure and cause damage and/or injury.

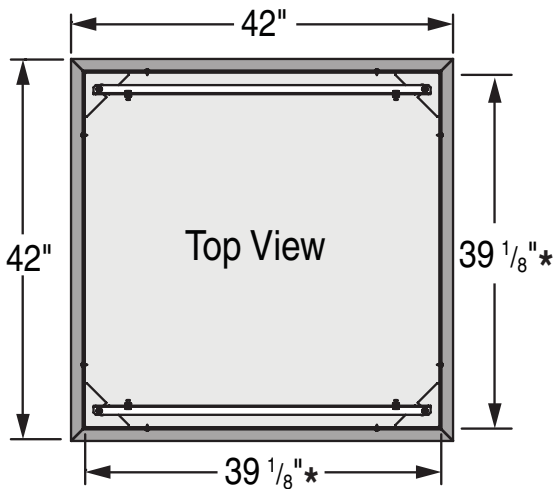
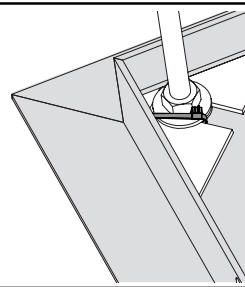
PLEASE NOTE: Immediately upon completion of the surrounding ceiling, unit should be operated to confirm that optional ceiling closure panel by Draper or by others stops $\frac{1}{8}$ " short of touching ceiling in closed position. If closure panel touches, the motor may continue operating after the lift is closed. If it continues to cycle once the lift is closed, a motor failure may occur.



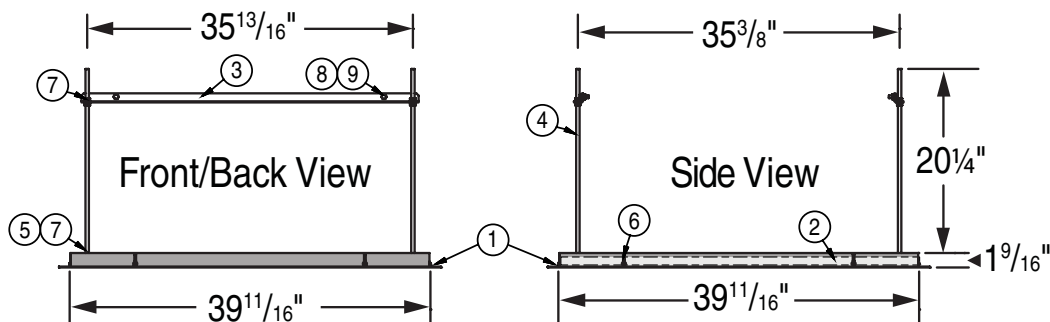
For Additional Safety:

- 1 Be sure the nuts that attach the threaded rods to the closure panel are tight.
- 2 Wrap a plastic wire tie around the mounting tab and the threaded rod at all four corners of the closure panel (see drawing).

Please Note: Do NOT use a paper-covered or similar wire tie—use only plastic wire ties for maximum safety.



*Lipless Closure Dimensions



Item	Qty	Part Number	Description
1	1	C028.546	Frame, SLX Closure Trim
2	1	C044.181.07SA	Panel, SLX Assembled Closure
3	2	C002.845.07SA	Bracket, SLX Closure
4	4	C077.035.49	Rod $\frac{3}{8}$ "-16 x $17\frac{7}{8}$ " L Threaded, Zinc
5	8	C013.050	Washer .375 I.D. x .875" O.D. x .064" TK GRD 2 Zinc Flat
6	8	C020.082	Screw, 10-16 X $\frac{1}{2}$ " 6 Lobe Truss Head AB E-White
7	16	C018.027	Nut, $\frac{3}{8}$ "-16 Hex GRD 2 NSF
8	4	C020.322	Screw, $\frac{5}{16}$ "-18 x $\frac{3}{4}$ " Long Grade 5 HH Zinc
9	4	C018.045	Nut, $\frac{5}{16}$ "-18 Zinc Hex KEPS

DRAPER

411 S. Pearl St., Spiceland, IN 47385 USA ■ 765-987-7999

www.draperinc.com ■ fax 765-987-7142

Copyright © 2015 Draper Inc. Form ScissorLift-ClosureSL_Inst15

Printed in U.S.A.

If you encounter any difficulties installing or servicing your Scissor Lift SL, call your dealer or Draper, Inc. in Spiceland, Indiana, 765-987-7999, or fax 765-987-7142.

Installing Optional Ceiling Closure

If your Scissor Lift SLX is equipped with optional ceiling closure, it can be used as is, or in conjunction with a square of existing ceiling tile.

- ① If installing with ceiling tile, you may need to cut tile so that its overall dimensions are the same as (or slightly less than) the closure panel. Place tile into trim frame. Lay closure panel on top (back side) of ceiling tile, and tighten screws to hold in place.

Lipless Closure Option is available by removing the Trim Ring from the Closure Panel. A substrate material (ceiling tile, gypsum board, etc.) can be attached directly to the Closure Panel using adhesive, double-sided tape or screws. **NOTE: Make sure the added weight of the substrate does not exceed the stated weight capacity of the lift.** Substrate should be installed so that it is centered within the finished opening in the ceiling, with a gap of no less than $\frac{3}{16}$ " around all edges. Lipless Closure dimensions shown with * in drawing below.

- ② Attach provided angle brackets to side of Bottom Panel of Scissor Lift SLX.
- ③ Attach threaded rods to angle bracket.
- ④ Run unit "up" until bottom pan stops at highest position. Mark position on threaded rods even with ceiling level and cut to length (remove from pan if convenient).
- ⑤ Run unit "down" until bottom pan stops at "show" position.
- ⑥ Attach closure to lower end of threaded rods by slipping into four corner slots and secure with nuts above and below slots.

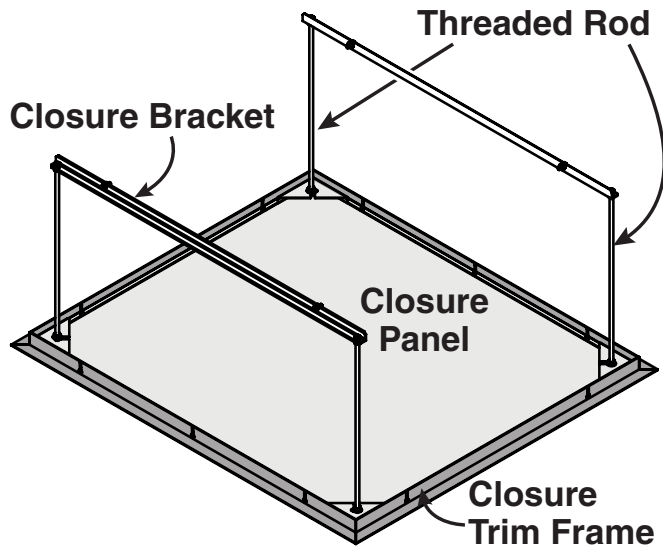
⚠ Caution: Make sure nuts are completely tightened.

- ⑦ Run unit "up" again to highest position. Measure distance by which panel fails to reach required "closed" height for surrounding ceiling.
- ⑧ Run unit "down" then re-adjust mounting of threaded rods in traveling grid to raise panel required distance.
- ⑨ Test unit operation to confirm that panel will stop in closed position just before touching ceiling.

⚠ Caution: DO NOT hang from, "ride" or pull down on the unit. This could create a failure and cause damage and/or injury.

PLEASE NOTE:

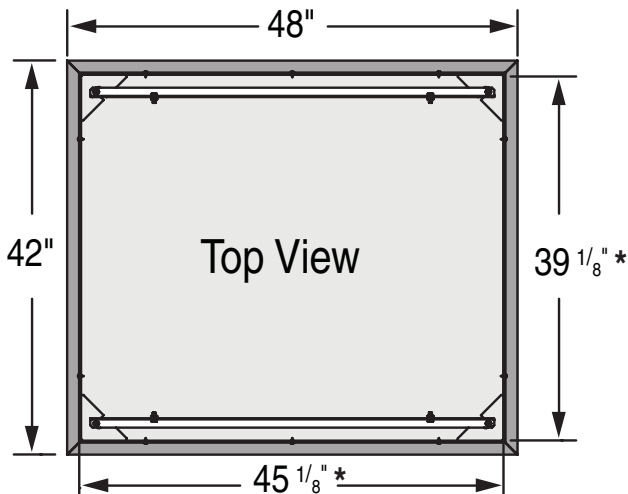
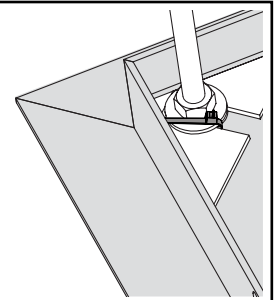
Immediately upon completion of the surrounding ceiling, unit should be operated to confirm that optional ceiling closure panel by Draper or by others stops $\frac{1}{8}$ " short of touching ceiling in closed position. If closure panel touches, the motor may continue operating after the lift is closed. If it continues to cycle once the lift is closed, a motor failure may occur.



For Additional Safety:

- ① Be sure the nuts that attach the threaded rods to the closure panel are tight.
- ② Wrap a plastic wire tie around the mounting tab and the threaded rod at all four corners of the closure panel (see drawing).

Please Note: Do NOT use a paper-covered or similar wire tie—use only plastic wire ties for maximum safety.



*Lipless Closure Dimensions

Item	Qty	Part Number	Description
①	1	C028.624.07SA	Frame, SLXR Closure Trim
②	1	C044.205.07SA	Panel, SLXR Assembled Closure
③	2	C002.932.07SA	Bracket, SLXR Closure
④	8	C013.050	Washer .375 I.D. x .875" O.D. x .064" TK GRD 2 Zinc Flat
⑤	8	C020.082	Screw, 10-16 X 1/2" 6 Lobe Truss Head AB E-White
⑥	16	C018.027	Nut, 3/8"-16 Hex GRD 2 NSF
⑦	4	C020.322	Screw, 5/16"-18 x 3/4" Long Grade 5 HH Zinc
⑧	4	C018.045	Nut, 5/16"-18 Zinc Hex KEPS
⑨	4	C077.037.49	Rod 3/8"-16 x 21 3/8" L Threaded, Zinc

