

Spring Roller Shade

Simple design with careful craftsmanship for economical medium duty light control

SUBMITTAL TECHNICAL INFO

SHADE SP

Please check all appropriate selections and attach room schedule with verified dimensions.

Fabric Series: _____

Color Name / Number: _____

Openness Factor: _____

Please see Draper's Fabric Options for fabric colors and specifications.

Select Options

Select Hardware

- Universal Brackets (Ceiling / Wall / Inside / Outside)
- Endcaps only
- Fascia with Endcaps

Select Headbox

- Ceiling / Wall (Surface Headbox)
- Type "D" Pocket with Tile Lip (White only; not compatible with 3" (76 mm) roller)
- Pocket Style
- Custom Headbox

Select Wall Clip

- With Ceiling Tile Lip
- Without Ceiling Tile Lip

Select Closure Panel for Type "D" Pocket or Wall Clip

- 1 1/2" (38 mm)
- 3" (76 mm)
- 5" (127 mm) (For Wall Clip and Custom Headbox Only)

Select Hem Bar Style

- 1" (38 mm) Maple Elliptical (standard)
- Closed Pocket - 1" (38 mm) Elliptical
- Open Pocket - 1" (38 mm) Elliptical
- Small Exposed
- Large Exposed
- 1 3/16" (21 mm) Tube
- 5/16" Tube (8 mm)
- None

Select Pull Type

Note: Cord cannot be more than 8" in length for WMCA Compliance.

- Cord
- Ring
- None

Select Hardware Finish

- Clear Anodized (standard) (available with clutch only)
- Black
- Ivory
- White
- Charcoal Bronze
- Custom (Contact Draper)

EQUIPMENT

SPRING ROLLER OPERATOR: Institutional quality, all with heavy-duty springs. All shades are mounted on one piece electro-galvanized, or enamel, steel rollers.

COMPONENTS

ROLLERS: Galvanized steel or extruded aluminum.

- 1 1/4" dia. x .029" wall (32 mm x .7 mm)
- 1 1/2" dia. x .062" wall (38 mm x 1.6 mm)
- 1 3/4" dia. x .0345" wall (44 mm x .9 mm)
- 2 1/4" dia. x .024" wall (57 mm x .6 mm)

MOUNTING BRACKETS: 1018 plated steel stamping. Sizes 1 5/8" and 2 1/4" (41 and 57 mm). Mount to face, ceiling, or jamb. Brackets do not require additional adapters.

ROLLER IDLER ASSEMBLY: Fiberglass reinforced polyester thermopolymer (PBT), with spring-loaded pin to interlock with mounting bracket.

SLAT: 1" (25 mm) maple elliptical slat encased in a head seamed hem with pull cord standard. **Closed Pocket Elliptical Slat:** 1" (25 mm) aluminum elliptical slat inside of a 1 5/8" (30 mm) heat sealed pocket. **Open Pocket Elliptical Slat:** 1" (25 mm) aluminum elliptical slat with plastic end inside of a 1 5/8" (30 mm) heat sealed pocket. **Flat Exposed Hem Bar:** Small: 7/8" x 3/16" (22 x 8 mm) Large: 1 1/2" x 5/16" (38 x 8 mm) aluminum rectangular with plastic end caps. **Round Exposed Hem Bar:** Small: 3/8" (16 mm) Large: 1 3/16" (30 mm) aluminum with plastic end caps. Exposed hem bars powder coated in black, bronze, ivory, white, or clear anodized.

ENDCAPS: 1018 steel stamping. 2 sizes: 3 3/4" x 3 3/4" and 4 1/2" x 4 1/2" (63 x 95 mm) and (114 x 114 mm). Complete with adapter roller bracket. Installs to face, ceiling, or jamb. Accepts box covers and fabric guide.

ENDCAP COVERS: Plastic covers snap onto endcaps. Available in ivory, bronze, black or white to match fascia.

FASCIA: "L" cover of extruded aluminum, .060 (1.5 mm) wall. Fascia snaps onto endcaps without exposed fasteners. Clear Anodized (standard), black, white, ivory, or bronze powder coat finish available. Continuous fascia available with coupled units.

SURFACE HEADBOX: Consists of fascia, "L" shaped back/top cover. Endcaps slide into extrusion without exposed fasteners.

POCKET HEADBOX: Optional, for pocket installation, includes a "U" shaped back/top/front cover with removable bottom closure panel. Small size: 3 7/8" x 3 1/16" (87 x 100 mm). Large size: 4 1/16" x 4 1/16" (119 x 119 mm). Some exposed fasteners required.

TYPE "D" POCKET: Type "D" Shade Pocket, extruded aluminum, for perimeter installation. Accepts FlexShades installed with ceiling brackets. Finished in white paint. 5" x 5 3/8" x .125" (127 x 136 x 3 mm) with 7/8" (22 mm) tile support lip & removable bottom closure.

LIGHT GAP REDUCTION HARDWARE: Extruded aluminum. Accepts edges of fabric, prevents light gaps. Interior of channel provides for use of flat head screws. Available with or without lining.

DOWNLOADABLE 3-PART SPECIFICATIONS: available at www.draperinc.com. Zytel® is a registered trademark of E. I. du Pont de Nemours & Company. DuPont™ is a trademark of E. I. du Pont de Nemours & Company.

Please note: Dimensions of rollers, operators and hardware at manufacturer's discretion.

Available Sizes:

WIDTH:	2'	3'	4'	5'	6'	7'	8'	9'	10'	11'	12'	13'	14'
HEIGHT													
2'													
3'													
4'													
5'													
6'													
7'													
8'													
9'													
10'													
11'													
12'													
13'													
14'													

* Sizes requiring large endcaps/brackets will vary according to fabric.

- Small endcaps/brackets and 2" (51mm) roller are recommended.
- Large endcaps/brackets and 3" (76mm) roller may be required.

PROJECT: _____

ARCHITECT: _____

CONTRACTOR: _____

SUPPLIER: _____

DATE: _____ REVISED: _____

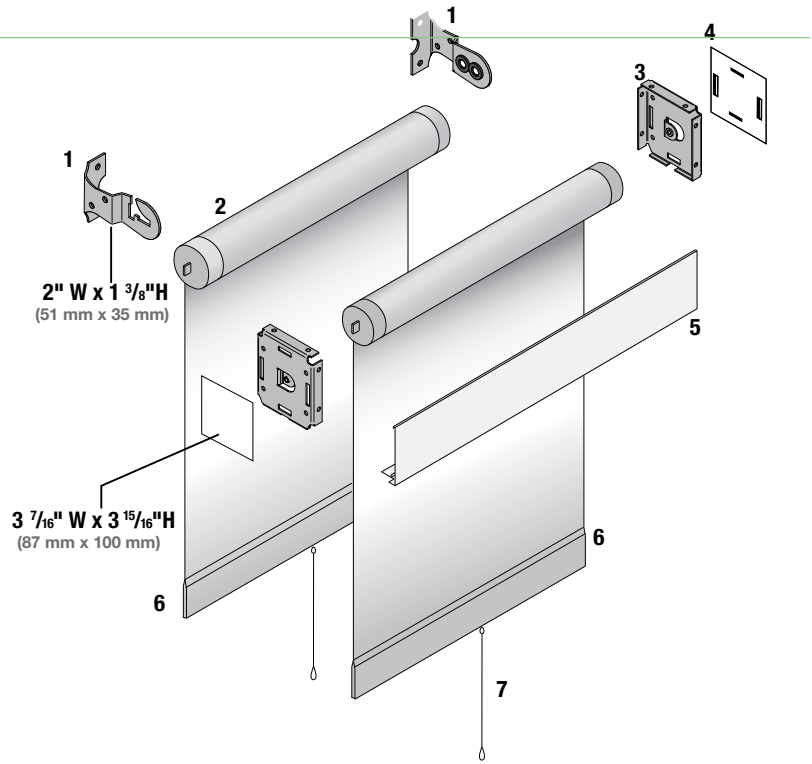


Draper, Inc. | 411 S. Pearl St. Spiceland, IN 47385
draperinc.com | 765.987.7999 | 800.238.7999

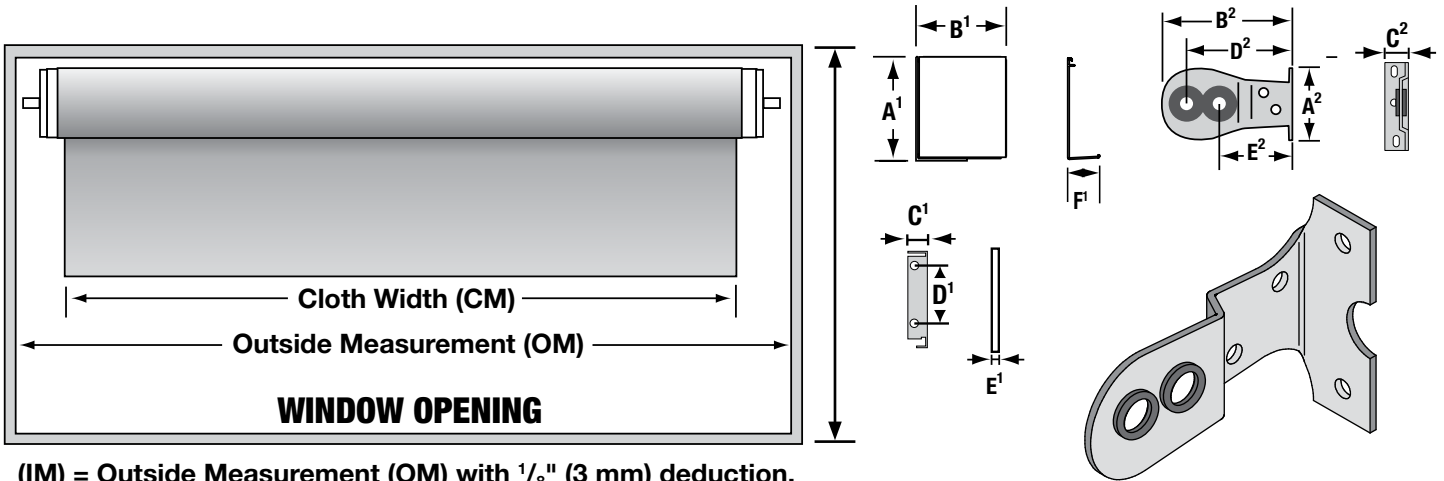
© 2024 All Rights Reserved | FORM: SpringRollerFlexShade_Sub24

Spring Roller Shade Components

1. Universal Wall/Ceiling Bracket
2. Spring Operator
3. Fascia Endcap
4. Fascia Endcap Cover
5. Fascia
6. Kiln-dried Maple Slat
7. Optional Pull Cord



Spring Roller FlexShade Components



(IM) = Outside Measurement (OM) with $\frac{1}{8}$ " (3 mm) deduction.

Overall Width includes plastic endcap covers. (Pair adds $\frac{1}{8}$ " [3 mm] to Overall Width)

Please note: When measuring shade height, remember to include endcaps and fascia or headbox.

HEADBOX WITH ENDCAPS

	SMALL		LARGE	
A ¹	3 $\frac{15}{16}$ "	100mm	4 $\frac{11}{16}$ "	119mm
B ¹	3 $\frac{7}{16}$ "	87mm	4 $\frac{11}{16}$ "	119mm
C ¹	$\frac{5}{8}$ "	16mm	$\frac{5}{8}$ "	16mm
D ¹	2"	51mm	3 $\frac{1}{4}$ "	83mm
E ¹	$\frac{1}{16}$ "	1.6mm	$\frac{3}{32}$ "	2.4mm
F ¹	1 $\frac{3}{16}$ "	30mm	1 $\frac{1}{16}$ "	40mm

ENDCAPS WITH FASCIA

	SMALL		LARGE	
A ¹	3 $\frac{7}{8}$ "	98mm	4 $\frac{5}{8}$ "	117mm
B ¹	3 $\frac{3}{8}$ "	86mm	4 $\frac{5}{8}$ "	117mm
C ¹	$\frac{5}{8}$ "	16mm	$\frac{5}{8}$ "	16mm
D ¹	2"	51mm	3 $\frac{1}{4}$ "	83mm
E ¹	$\frac{1}{16}$ "	1.6mm	$\frac{3}{32}$ "	2.4mm
F ¹	1 $\frac{3}{16}$ "	30mm	1 $\frac{1}{16}$ "	40mm

BRACKETS

	SMALL		LARGE	
A ²	1 $\frac{3}{8}$ "	35mm	1 $\frac{15}{16}$ "	49mm
B ²	1 $\frac{15}{16}$ "	49mm	2 $\frac{11}{16}$ "	68mm
C ²	$\frac{5}{8}$ "	16mm	1 $\frac{3}{16}$ "	21mm
D ²	1 $\frac{5}{8}$ "	41mm	2 $\frac{1}{8}$ "	54mm
E ²	1 $\frac{1}{4}$ "	32mm	1 $\frac{5}{8}$ "	41mm
F ²	NA	NA	NA	NA

Shade Overall Width includes plastic endcap covers.
 Pair of small endcap covers adds $\frac{1}{8}$ " (3.2mm) to Overall Width.
 Pair of large endcap covers adds $\frac{3}{16}$ " (4.8mm) to Overall Width.

Above dimensions based upon 20 lb clutch and 1 $\frac{1}{2}$ " (38mm) diameter roller.

Please Note: When mounting brackets to the wall, use the hole closest to the wall. When mounting brackets to the ceiling, use the hole furthest away from the ceiling.