

Ultimate Access XL V

XL tab-tensioned electric screen with motorized closure



SUBMITTAL TECHNICAL INFO

Please check all appropriate selections and attach room schedule with verified dimensions.

Specifications

QUANTITY: _____ **SIZE:** _____ h. x _____ w. Projection screens, recessed ceiling mounted.

HOUSING: Case finished in white. Case constructed of steel, except side trim flanges and access doors are aluminum. Endcaps are stamped steel. Bottom of case consists of an independently motorized trap door that opens up inside the screen case. The trap door and the access door both hinge downward to allow access to inside of screen case. The doors remain attached to the screen case via a concealed full-length hinge. Releasing latches at the center and each end of the screen case allows the door to hinge downward. A prop arm at each end may be pivoted to engage with endcaps, keeping the door assembly in its fully open position. Internal junction box allows case to be installed and pre-wired to building supply. Junction box to have two plug-in style connectors, mating with connectors from motorized roller/fabric assembly and motorized door assembly. Case flange to trim edges of ceiling opening.

ROLLER/FABRIC ASSEMBLY: installed in case at factory. Brackets supporting roller/fabric assembly to slide in track inside top of case, allowing viewing surface to be centered in case regardless of screen size. Roller of 5" (12.7) or 7" (17.8cm) nominal dia. metal. 3-position control switch to stop or reverse screen at any point. Switch(es) furnished with cover plate.

VIEWING SURFACE: with black masking borders. Each side of surface to have tab-guide cable system for even lateral tension and flat surface. Bottom of surface supported and masked by black extruded aluminum dowel weighted to apply proper vertical tension. Top of surface masked by 12" (30.5cm) black drop. Viewing surface flame and mildew resistant. Matt White XT1000V and Grey XH600V viewing surfaces are certified to GREENGUARD standards for low chemical emissions into indoor air during product usage.

MOTOR: Electrically operated 60 Hz., 110-120V AC, 5-wire motor mounted inside screen roller, instantly reversible, lifetime lubricated, with internal thermal overload protector and electric brake with preset limits.

CONTROLS: 3-position control switch (or switches—specify number) to stop or reverse screen at any point. Switch(es) furnished with cover plate.

MOUNTING METHODS: Case may be mounted with a 3/8" (9.5 mm) threaded rod, lag screws, or with wire in a grid ceiling.

MOUNTING BRACKETS: slide in 18" (457 mm) long channels on top of case, allowing brackets to be moved to avoid interference with conflicting building structures. Brackets must be locked in position by tightening screws. Brackets may also be angled to meet installation requirements.

PLENUM RATED CASE (UL approved "Suitable for Use in Environmental Air Space").

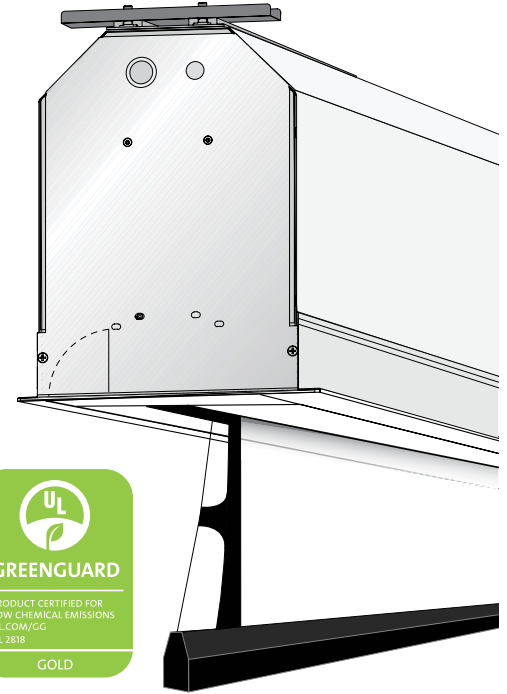
SPECIFICATIONS SUBJECT TO CHANGE WITHOUT NOTICE.

ENTIRE UNIT CERTIFIED BY UNDERWRITERS' LABORATORIES, INC. FOR THE U.S. AND CANADA.

PLENUM RATED CASE (UL approved "Suitable for Use in Environmental Air Space").

DOWNLOADABLE 3-PART SPECIFICATIONS: available at www.draperc.com

Please note: Dimensions of rollers, operators, and hardware at manufacturer's discretion.



Select Case Color

- White (standard)
- Black (optional)

Select Additional Options

- Additional set of mounting brackets for alternate mounting (see page 3)
- Extra Drop
Length of Total Drop: _____
(Total screen height cannot exceed 12' (366cm))
- Drop Color:
 - Black (standard)
 - Same color as viewing surface

Please Note: Extra drop increases case and dowel length. Specify at time of order and contact Draper if this dimension is critical. Includes 3/4" (19 mm) flange on each end of case. Subtract 1 1/4" (32 mm) for rough ceiling cutout size.

Select Viewing Surface:

- Black Backed Matt White XT1000VB (1.0 gain) (GREENGUARD Gold certified)
- Grey XH600V (0.6 gain) (Thru 9' x 12') (GREENGUARD Gold certified)
- Rear Projection Surface (optional): _____
- Other: _____

TECVISION® Premium Optical Surface

- XH700X Grey (0.7 gain) Certified
- XH800X ALR (0.8 gain) Certified
- XH900X ALR (0.9 gain) Certified
- MS1000X ALR (1.0 gain) Certified
- CS1000X ALR (1.0 gain) Certified
- XT1000X White (1.0 gain) Certified
- XT1100X White (1.1 gain) Certified
- CS1200X ALR (1.2 gain) Certified
- XT1300X White (1.3 gain) Certified
- XT1600X White (1.6 gain) Certified
- XT1800X White (1.8 gain) Certified

See Pages 2 & 3 for Motors and Controls and Standard Dimensions and Data

PROJECT: _____

ARCHITECT: _____

CONTRACTOR: _____

SUPPLIER: _____

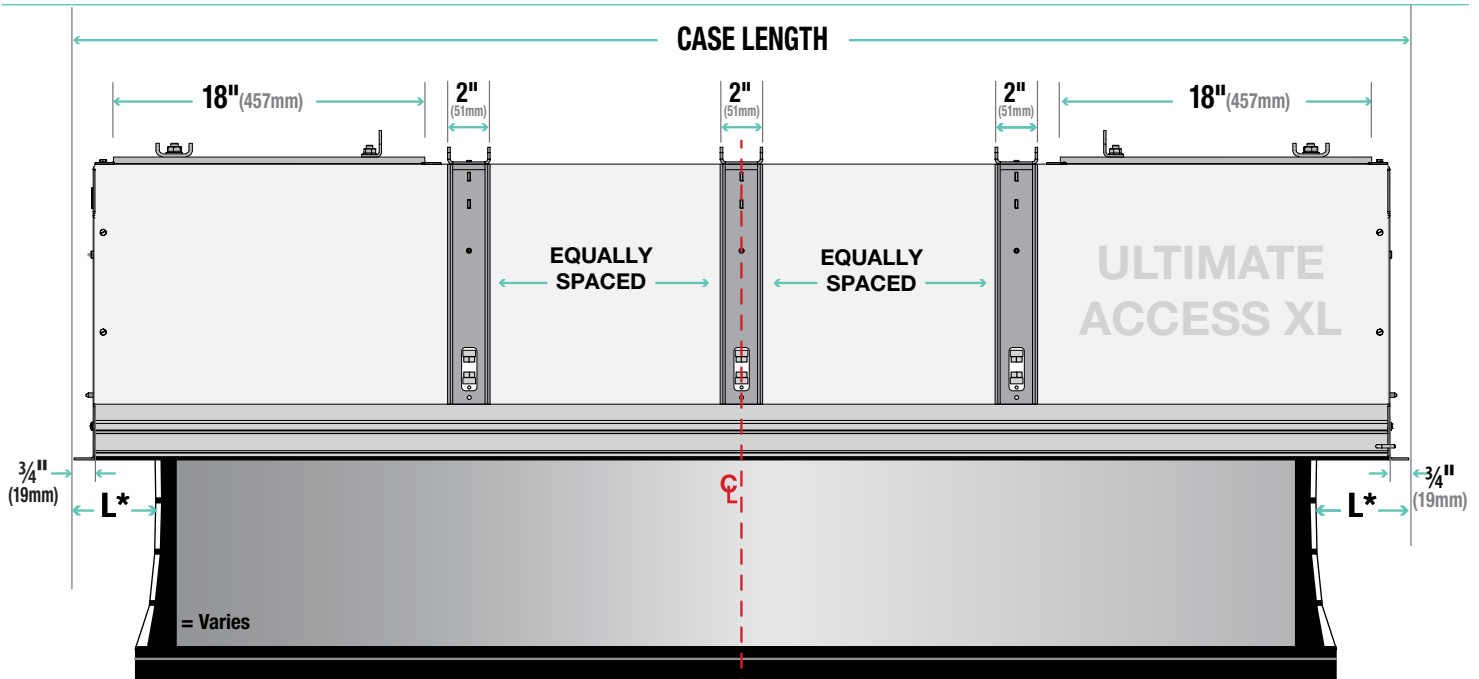
DATE: _____ **REVISED:** _____



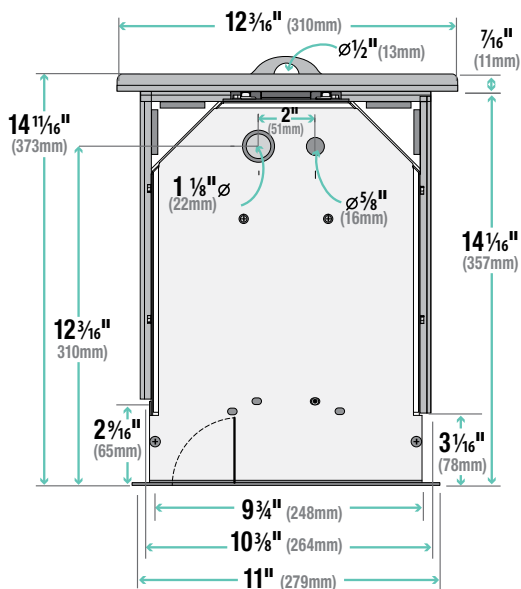
Draper, Inc. | 411 S. Pearl St. Spiceland, IN 47385
draperinc.com | 765.987.7999 | 800.238.7999

© 2023 All Rights Reserved | FORM: UltimateAccessXLV_Sub23

Case Dimensions and Methods of Installation

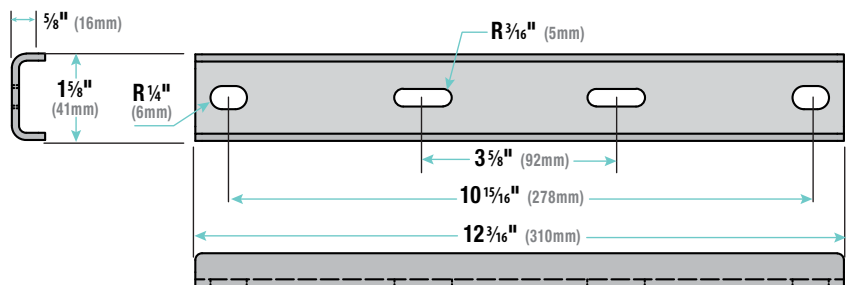


- For minimum length of ceiling cutout: subtract 1 1/4" (32mm) from case length (measured from outer edge of flanges).
- For minimum width of cutout (front to back): see case width dimensions below.
- **Leveling brackets are used to level the case and should NOT be used to support the weight of the unit.
- The leveling brackets are riveted to the side of the case. Hardware used for leveling provided by others.

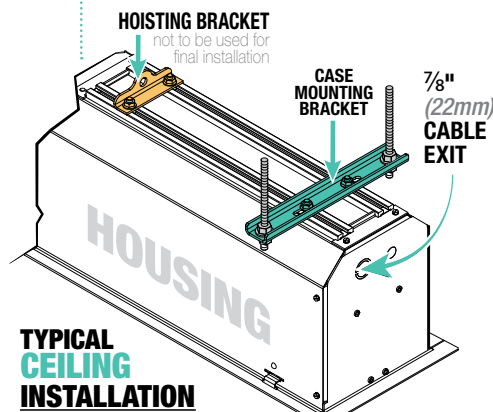


Standard Motor Wiring is on the AUDIENCE LEFT END of Screen Case.

Mounting Brackets Dimensions

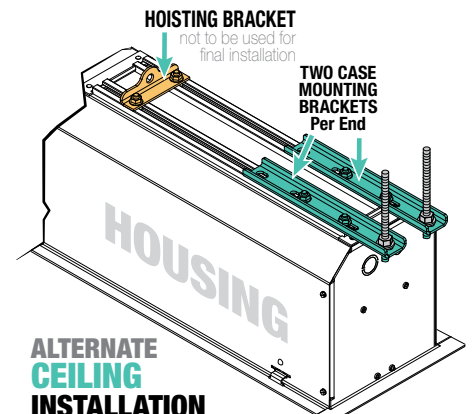


Installation Options



TYPICAL CEILING INSTALLATION

With typical installation, brackets may be angled to meet installation requirements.



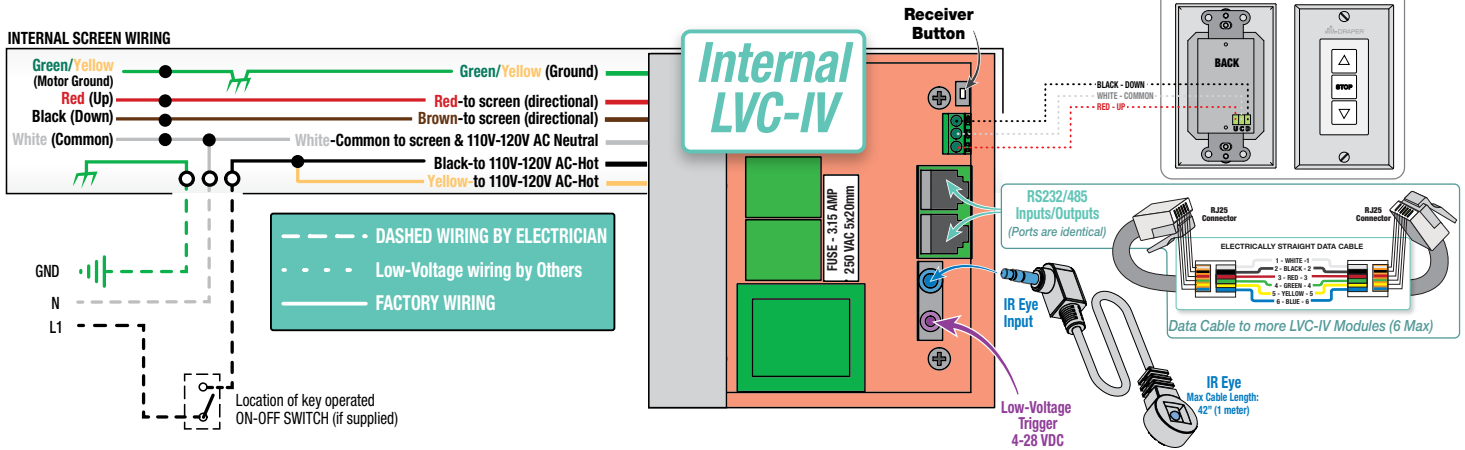
ALTERNATE CEILING INSTALLATION

Additional set of brackets required, but NOT included.

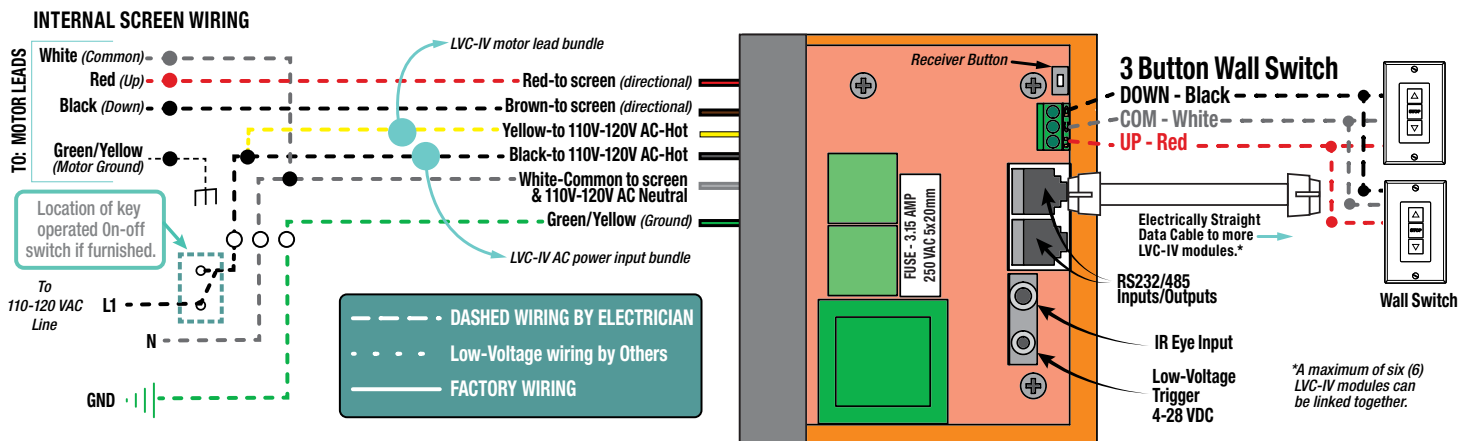
Please Note: Extra brackets must be ordered for alternate installation.

Wiring Diagrams

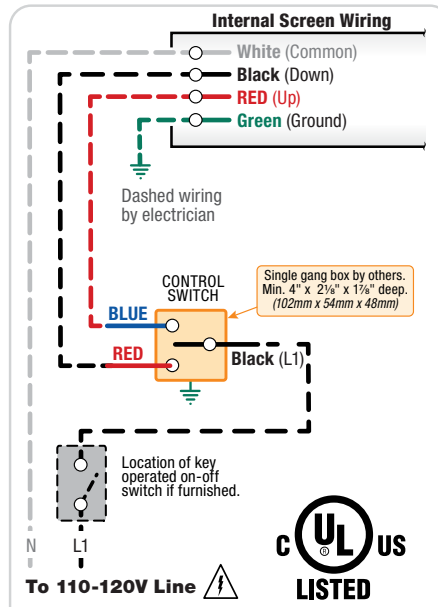
For more information and wiring diagrams for serial and network communication, please see wiring diagrams supplied with individual items.



WIRING DIAGRAM - External LVC-IV (Low-Voltage Control Module)



110-120V Motor and Quiet Motor Single Station Control



Please Note: For external low-voltage (LVC-IV), serial (LVC-IV) and network (LVC-IV) wiring diagrams, please consult instructions for those modules.