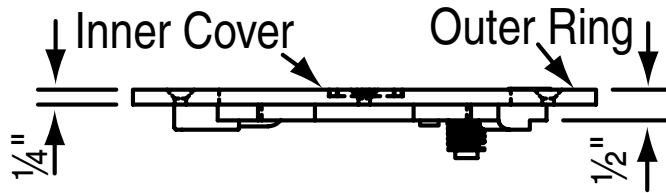
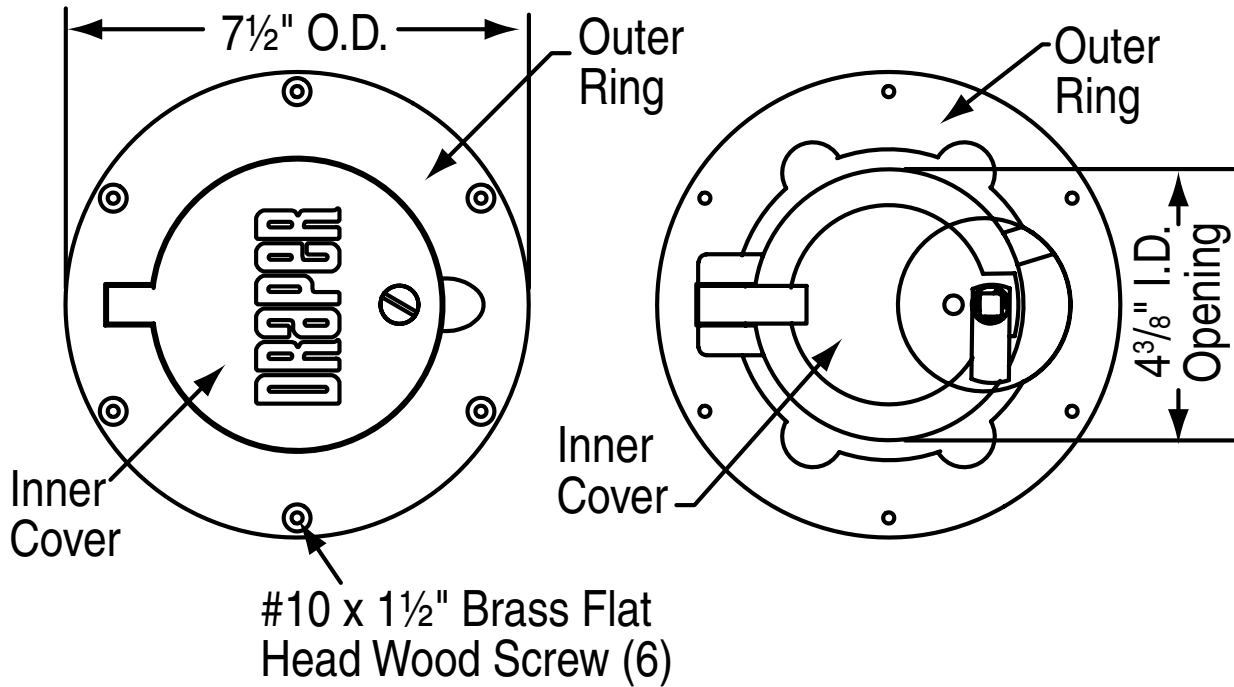


Volleyball Floor Cover Plates by DRAPER

501035

Locking Brass Floor Cover Plate



Specifications—501035

Locking Brass Floor Cover Plate Assembly

Locking Brass Cover Plate Assembly shall be 501035 by Draper, Inc of Spiceland, IN. Cover plate assembly shall be solid brass alloy with permanently attached hinged cover. Cover plate assembly shall be 7 1/2" outside diameter by 1/2" thick. The diameter of opening shall be 4 3/8". Cover plate assembly features a lock mechanism that secures cover to ring preventing it from bouncing or creating a dead spot if hit with a ball.

Outer ring shall have six mounting holes to allow cover plate to be securely attached to floor. Floor plate is supplied with six #10 x 1 1/2" brass flat head wood screws for mounting plate to floor. Plate shall be installed flush with playing surface.

LEED® Submittal Information

Credit	Measure
MRc4 – Recycled Content	Post Consumer Average 58% Post Industrial 0%

DRAPER

411 S. Pearl St., Spiceland, IN 47385 USA ■ 765-987-7999
 www.draperinc.com ■ fax 765-987-7142
 Copyright ©2014 Draper Inc. Form VB_501035_FloorCover_Sub14 Printed in U.S.A.

PROJECT: _____
ARCHITECT: _____
CONTRACTOR: _____
SUPPLIER: _____
DATE: _____ REVISED: _____