

# Installation Instructions

## Elite Volleyball System by Draper

### Caution

- ① Overtightening top cable can damage equipment and possibly cause injury.
- ② The center of the net will sag slightly. This is natural. Do not try to compensate by over-tightening top cable. (See "Net Height" information below.)
- ③ Make sure proper parts and accessories have been shipped. Do not attempt to install any accessories that are not recommended for your Elite Volleyball System.
- ④ Do not attempt to operate the winch by using an electric drill; hand crank only.

These instructions are meant as a guide only. They do not imply any responsibility on the part of Draper, Inc. for improper installation or faulty workmanship at the jobsite.

- ① Attach winch assembly onto one 3 1/2" O.D. bottom tube. Locate approximately 23" from end with holes, and tighten screws with allen wrench (see Fig. 1).
- ② Attach cable anchor collar onto the other 3 1/2" O.D. bottom tube. Locate approximately 23" from end with holes, and tighten screws with allen wrench (see Fig. 1).

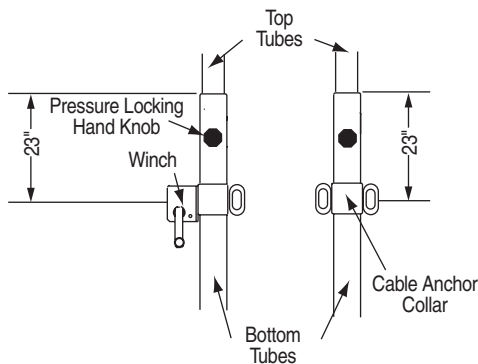


Figure 1

- ③ Install sheaves in milled slots in top post section using 1/2"-13 x 2" Cap Screws and Nylon Lock Nuts (see Fig. 2).

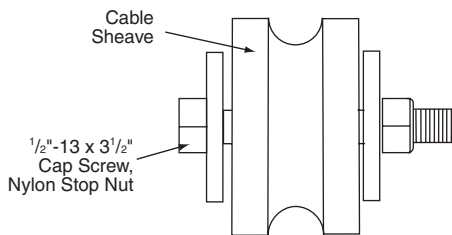


Figure 2  
(Top View)

- ④ Install standards in floor sleeves.
- ⑤ Set post to desired height by loosening pressure-locking hand knob and slide top tube to desired net height. NOTE: Proper height is stamped on side of post.
- ⑥ Measure distance from finished floor to top of sheave. This dimension should be 3/4" (2 cm) higher than required net height. If necessary, remove standard from sleeve and adjust rubber bumper until desired height is reached.
- ⑦ Unroll net on floor between standards.
- ⑧ Install 1/2" fiberglass rods in ends of net (see Fig. 3).
- ⑨ Unspool the 2" nylon strap from winch. Hook one end of the top net cable in hook on belt. Hook opposite end of top net cable to cable anchor collar on the other standard (see Fig. 3).

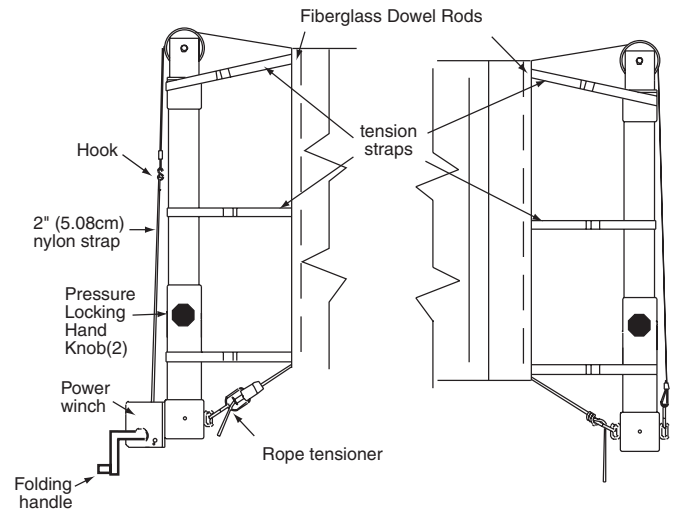


Figure 3

NOTE: Make sure the cable is running cleanly through sheaves.

- ⑩ Tighten net by turning winch handle clockwise. Measure distance from top of net to finished floor at the center of the net.
- ⑪ Wrap net straps once around standards and tighten using buckles (see Fig. 3).
- ⑫ Install tensioner to winch end of net rope by inserting rope through beveled end of tensioner. Tie a loop in other end of rope. Attach rope tensioner to winch and rope loop to cable anchor collar (see Fig. 3). Tighten by pulling on rope while holding tensioner.

NOTE: Winch incorporates a worm gear type mechanism. To loosen top cable, turn winch handle counterclockwise.

### Net Height

Regulation net heights are measured and set at the center of the net. The ends of the net cannot exceed regulation height by more than 3/4" (2 cm), which allows for natural net sag.

Below are official net heights recommended by USA Volleyball:

Age Groups	Girls	Boys
10-under	6'0" (1.83 M)	6'0" (1.83 M)
12-under	6'6" (1.98 M)	6'6" (1.98 M)
14-under	7'4 1/8" (2.24 M)	7'4 1/8" (2.43 M)
16-under	7'4 1/8" (2.24 M)*	7'11 5/8" (2.43 M)*
18-under	7'4 1/8" (2.24 M)*	7'11 5/8" (2.32 M)*

\*Official net heights for High School, Collegiate and International Competition.

(Continued on back)

# DRAPER®

411 S. Pearl St., Spiceland, IN 47385 USA ■ 765-987-7999  
www.draperinc.com ■ fax 765-987-7142

Copyright © 2013 Draper Inc. Form V\_EVS\_Inst13 Printed in U.S.A.

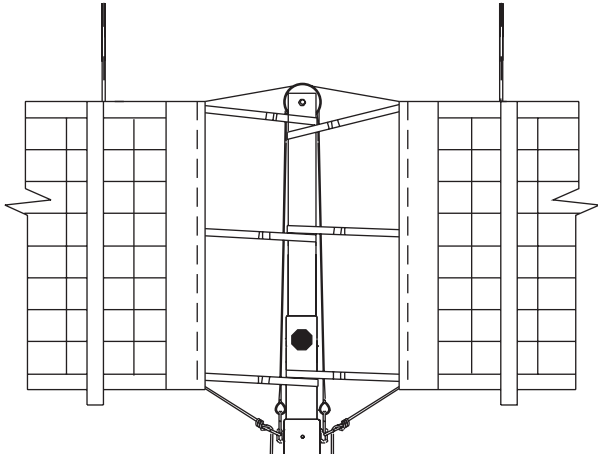
If you encounter any difficulties installing or servicing your Power or Steel Volleyball System, call your dealer or Draper, Inc., Spiceland, Ind., (765) 987-7999 or fax (765) 987-7142.

## Options

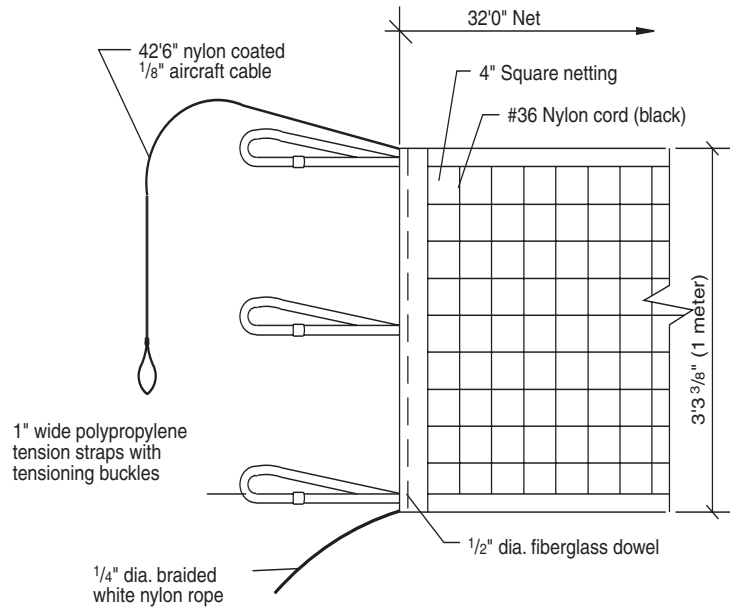
(Typ. installation details)

### Center Standard For two court set-up

NOTE: Follow standard installation steps listed on the previous page.



### Volleyball Net



### Antenna/Boundary Marker

