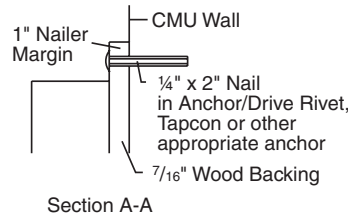
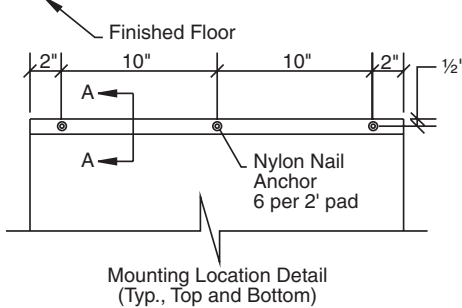
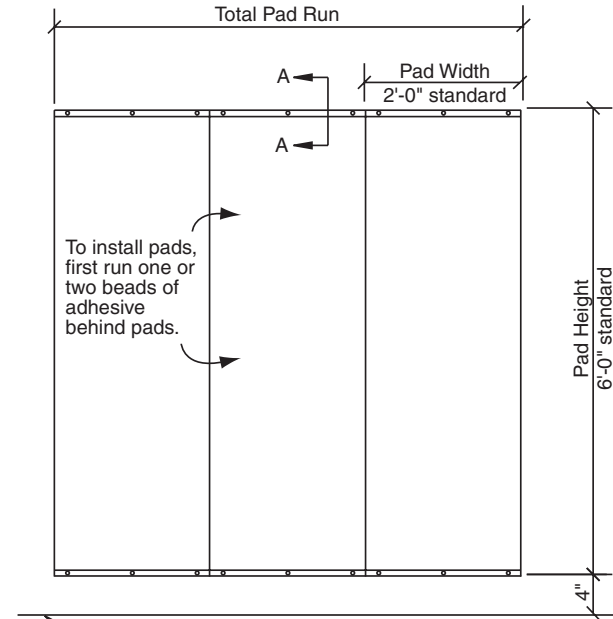


# EcoVision™ Wall Pads

Installation  
Instructions

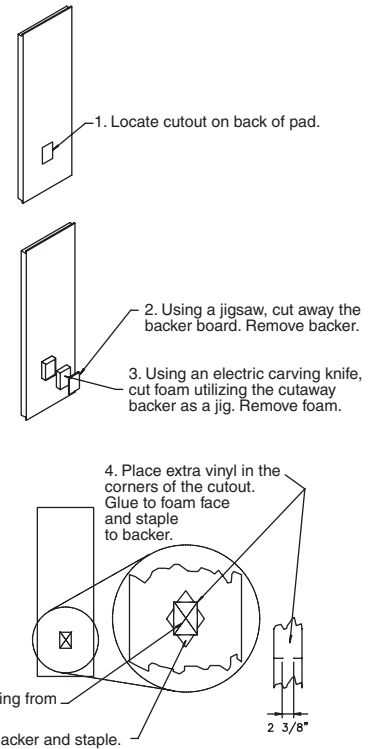
by **DRAPER**

## Direct Mount Installation

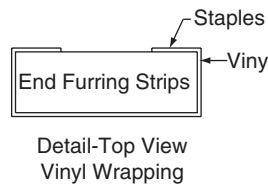
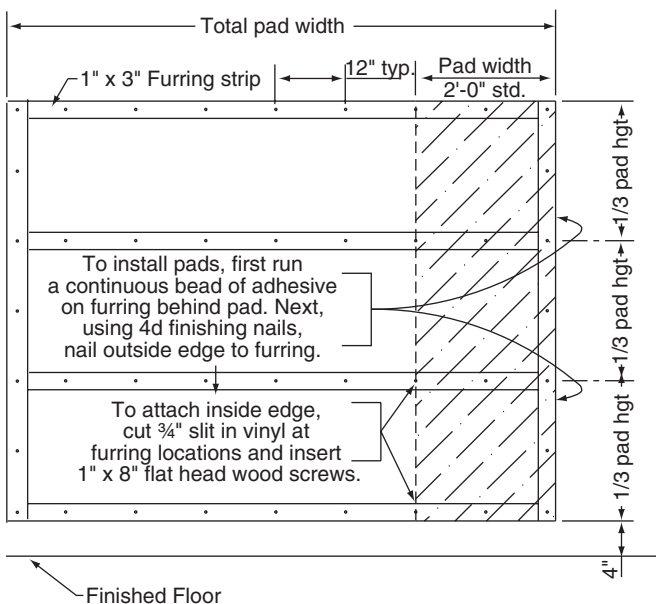


Part of the Draper  
EcoVision™ range  
of products

## Cutout Instructions For all Draper wall pads



## Installation with optional furring strips



### To install furring:

- ① Wrap both end furring strips with vinyl identical to pads before attaching to wall (see detail).
- ② Drill 3/16" hole through wood and 3/4" into wall. Insert 3/16" x 3/4" plastic anchor and #6 x 1 1/2" wood screw.
- Alternate: 4d cut nail—1 1/2" must hit mortar joint.
- Optional method: Power actuated tool—Use 1 1/2" x 9/64" fastener and #3 power load.
- ③ Run continuous bead of high quality industrial adhesive on back side of all furring strips before attaching to wall.

**DRAPER**

411 S. Pearl St., Spiceland, IN 47385 USA ■ 765-987-7999  
www.draperinc.com ■ fax 765-987-7142

Copyright © 2015 Draper Inc. Form EcoVisionWallPads\_Inst15 Printed in U.S.A.

If you encounter any difficulty installing or servicing your EcoVision Gym Wall Pads by Draper, call your dealer or Draper, Inc., Spiceland, Indiana, (765) 987-7999 or fax (765) 987-7142.

## Z-Clip Installation

Note: Below instructions are for wall pads with Z-clips at top and bottom. Modify and skip steps as necessary if Z-clips are only used at one end of pad.

Note: Z-clips are normally supplied in 72" sections to attach to walls and 20" section to attach to backs of pads. 4" sections may be used for L-pads, C-pads or narrow pads. Installer may need to cut Z-clips to fit exact field conditions

- ① Draw or strike a line on the wall between 7¼" and 9¼" up from the finished floor. The bottom of the pad will be 4" to 6" above finished floor using above measurements. Consult Draper's drawing or the Architect/GC to verify distance pads should be installed above finished floor.
- ② Line up the bottom Z-clip's lower edge with line on wall. Make sure this Z-clip is open to the top (see Fig. 1). Drill and anchor Z-clip to wall using appropriate anchors supplied by installer. Spacing and type of fasteners is dependent on the type of wall structure.
- ③ Measure up the wall from line made in step 1 the height of the wall pad (typically 6') minus 7¾" and mark another line parallel to the bottom line.
- ④ Align the bottom edge of the top Z-clip with the upper line and anchor as indicated in step 2.
- ⑤ On the back of the pad, mark a line 3" from the bottom. Make sure this Z-clip is open to the bottom as shown in figure 1.
- ⑥ Attach Z-clip to wood backer using only the factory supplied #10 x ½" wood screws. Use caution not to strip the wood backer when driving the screws, especially if installing with a drill or screw gun.
- ⑦ Attach top Z-clip by lining up top edge with an installer-scored line 3" below top of pad.
- ⑧ Attach top Z-clip as described in step 6.
- ⑨ Slide wall pad panel into place by mating the Z-clips.

Note: For pads 7' or taller, Draper recommends the use of third Z-clip located in the middle of the pad.

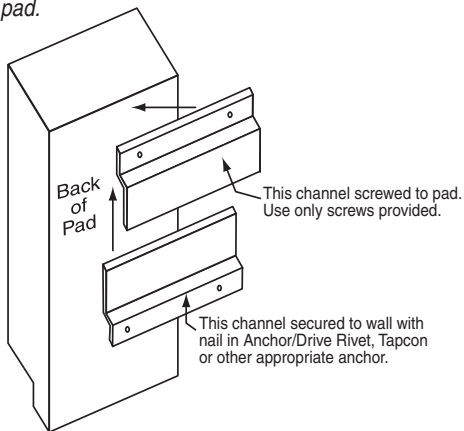


Figure 1

## Wall Pad Channel System Assembly

- ① Draw or strike a chalk line on the wall, between 4' and 6' up from the floor.
- ② Line up the "J" channel with the bottom edge on the line (see Fig. 2). Drill and anchor the channel to the wall with an appropriate fastener (provided by installer). Spacing and type of fastener is dependent on the type of wall structure. A groove is provided in the channel to aid in drilling holes.
- ③ Measure up the height of the pad minus 2½" from the bottom line, and make another line parallel to the bottom lines.
- ④ Locate the "Z" channel on the top line (see Fig. 2) and anchor to the wall with an appropriate fastener (provided by installer). Spacing and type of fastener is dependent on the type of wall structure.

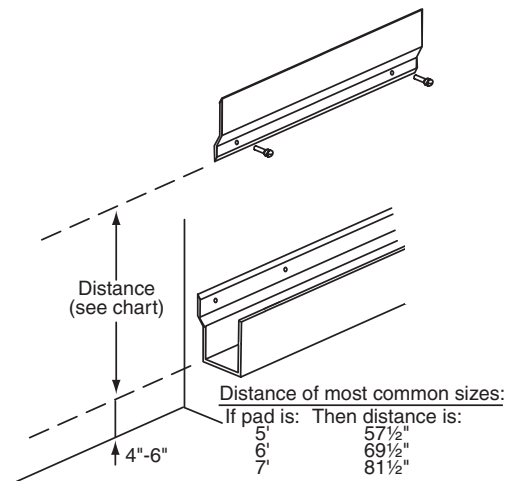


Figure 2

Slide each panel section into the bottom channel completely. Make sure the pads butt up against one another. Slip the "J" channel over the pads (see Fig. 3) and secure it down in the "Z" channel.

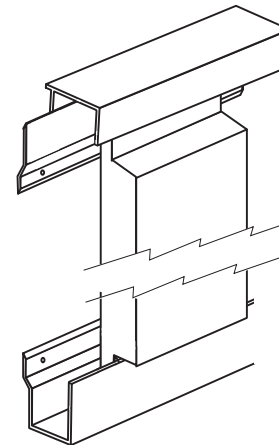


Figure 3

## Recommended Corner Pad with Channel System Installation

Cut "L" Channel and bend (see Fig. 4).

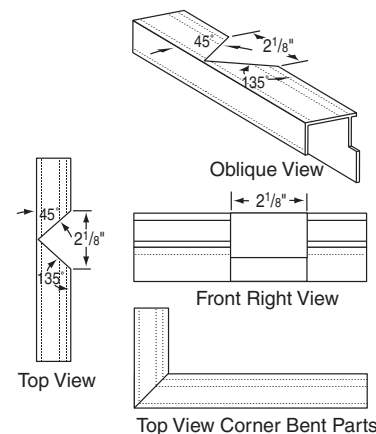


Figure 4